

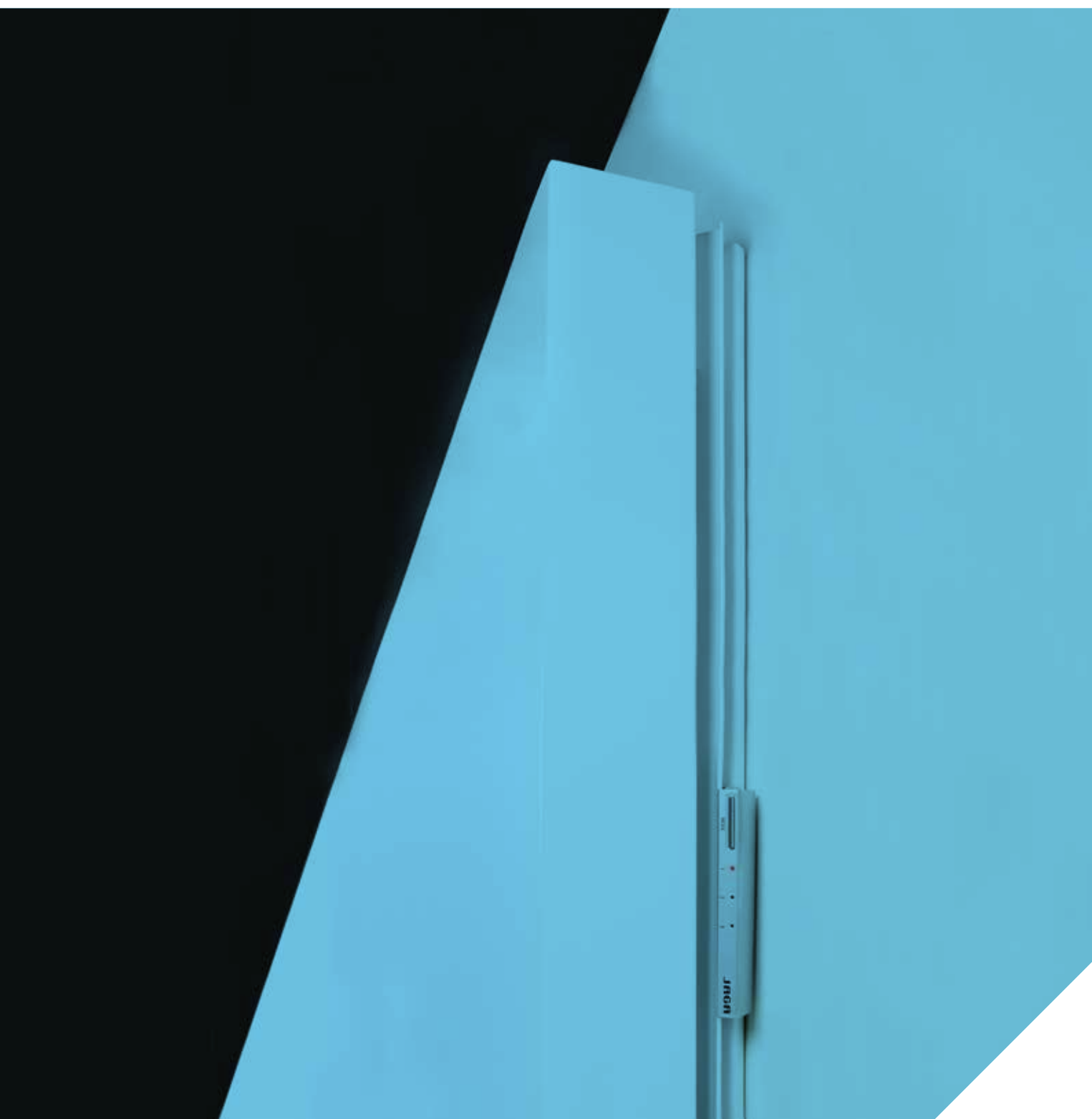
jaga

CLIMATE DESIGNERS

Heating 

Light cooling 

VERTIGA HYBRID



jaga

CLIMATE DESIGNERS

VERTIGA HYBRID

The only vertical designer heater for extremely low water temperatures

Vertiga is the perfect combination of the 3 most important Jaga characteristics: power, energy-efficiency and design. Jaga Vertiga is a completely new kind of heating unit, equipped with two dynamic coils, and is compatible with all heat sources. Moreover, it's specially designed for heat pumps and low temperature boilers. Both coils, made from copper and aluminum, ensure a lateral air flow and are able to generate high power levels at low water temperatures.

Vertiga is also suitable for non-condensing cooling in combination with any heat pump that has a cooling function. This mild form of cooling is very energy-efficient.

Also suitable for Jaga light cooling



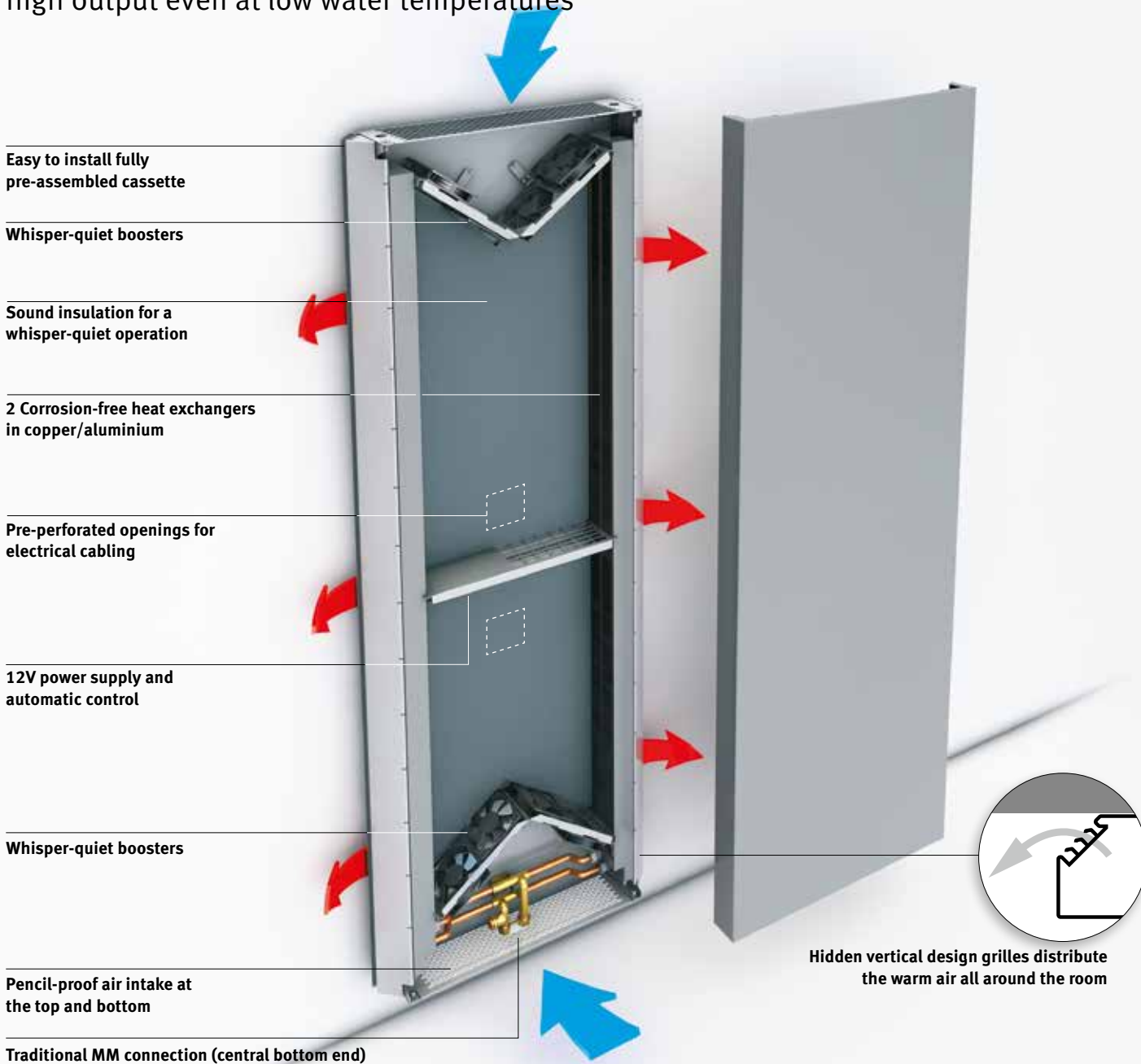


VERTIGA HYBRID



THE TOP PERFORMER FACTOR

Brand new Dynamic vertical radiator system for high output even at low water temperatures



UNIQUE DESIGN PERFORMANCE

Perfect warm-up of the room through horizontal heat distribution across the complete height of the radiator

9x faster warm-up

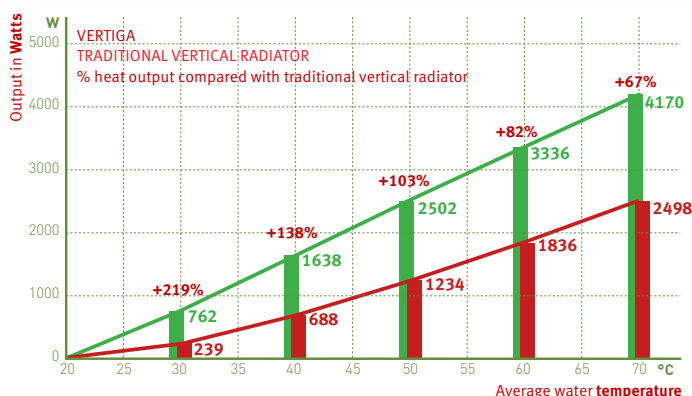
Very high power even at super-low water temperatures

10 to 30% energy savings compared with under floor heating or heavy steel radiators

Fully automatic operation driven by water temperature sensors

OUTPUT BASED ON WATER TEMPERATURE

Comparing Vertiga and a traditional vertical radiator of the same size
Sound pressure Vertiga max. 28 db(A)(in medium mode).



HEATING OR HEATING + LIGHT COOLING: THE IDEAL HEAT PUMP HEATER

HIGH OUTPUT WITH ALL WATER TEMPERATURES, HOT AND COLD

New, environmentally-friendly installations require much better thermal units. This ensures a comfortable temperature at a low water temperature and a refreshing coolness with non-condensing cooling. Jaga Hybrid heating units are equipped with the brand new DBH system, DB stands for Dynamic Boost, to considerably increase the power of the heater. The H of Hybrid stands for the dual effect: heating and cooling.

- Perfectly controlled heating at the lowest water temperature thanks to the hybrid system's reaction speed.
- By default, suitable for energy-efficient non-condensing cooling in combination with any heat pump.

MOST RESPONSIVE OUTPUT SYSTEM CRUCIAL FOR HEATING AND COOLING DOWN

Heating

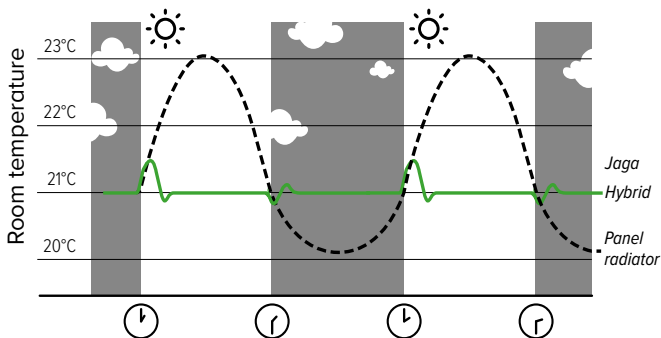
Is the oven or dishwasher on? If the sun shines inside? Your home is a dynamic given with constantly changing temperature conditions and comfort requirements. A quickly reacting heater such as Strada Hybrid anticipates this and accurately controls the temperature in all circumstances..

Jaga Light cooling

The reaction capacity is also crucial for non-condensing cooling. In order to prevent moisture problems, central condensation monitoring must be provided. This can only work efficiently with a very fast-acting delivery system, which immediately adjusts the cooling system in case of a sudden rise in humidity.

More than ever, the responsiveness determines your energy consumption and your comfort.

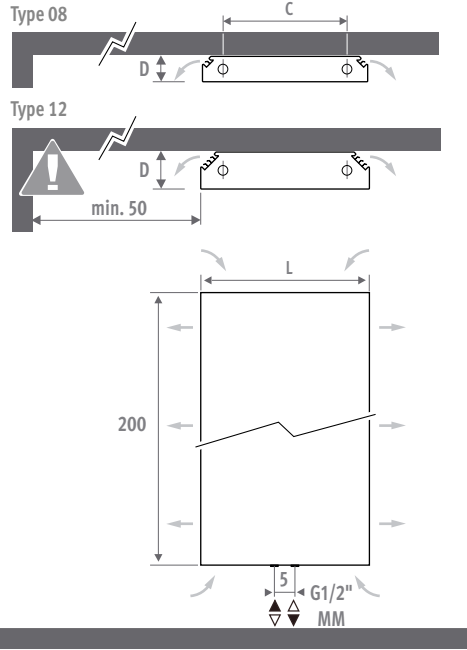
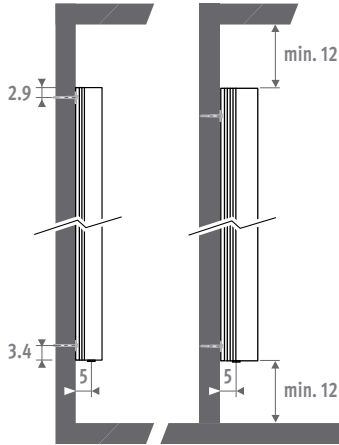
COMPARISON OF THE REACTION TIME IN CASE OF TEMPERATURE CHANGES



VERTIGA

DIMENSIONS (in cm)

Primo	D = 9.2			D = 13.2		
L	41	52	65	53	70	90
C	20.6	31.6	44.6	27.8	44.8	64.8



ORDERING CODE

code height length type colour
VERW 200 041 08 XXX XX
 3-speed control (HA)
 or BMS (HB)

DELIVERY

- front panel can be clicked in easily
- fully pre-assembled wall cassette with vertical grilles for air outlet at the left and right side
- pencil-proof grille for air inlet at the bottom and top end
- pre-perforated openings for electrical connection
- central connection MM (MM Bottom or Top)
- mounted 3-speed control

COLOURS

Primo

Environmentally friendly, scratch-resistant, high UV resistant powder coating.

Standard colours:

- traffic white RAL 9016 (133), soft touch lightly structured satin lacquer
- sandblast grey (001), fine texture metallic
- off-black RAL 7021 (145) Soft touch: finely-textured matte look, gloss degree < 10%

Other colours: see colour chart.

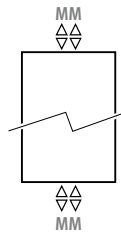
Only available in soft touch (code 1..), smooth satin (code 3..) and special colours.

Not available in smooth glossy (code 2..).

HYDRAULIC CONNECTION

Standard connection:
 central connection MM below or on top, flow left or right.

Top connection:
 the radiator is symmetrical and can be mounted either way up. Provide an air vent on the central heating pipework above the radiator.



CONNECTION SETS HEATING

Connection set to the wall with a Deco-Pro valve

TRV head and sleeve couplings included.



set 48

BRUSHED STAINLESS STEEL




CODE.PW3.PS.1...

set 41

CHROME



CODE.PW3.AW.1... 



CODE.PW3.AC.1... 



CODE.PW3.HC.1...  

enter sleeve coupling code

Precision metal tube 15/1 **115**

Precision metal tube 16/1 **116**

Precision metal tube 18/1 **118**

RPE/ALU tube 16/2 **316**

RPE/ALU tube 18/2 **318**

Other connection sets and sleeve couplings

See chapter "Connection sets and valves" for all connection options and technical information

ELECTRIC CONNECTION

Equipped with pre-perforated openings and 230 VAC clamp connector.

3-SPEED CONTROL (HA)

User friendly operation with three power positions and LED indication, mounted on the side of the Vertiga. Vertiga Hybrid switches fully automatically between heating and light cooling.



BMS - HOME AUTOMATION / BUILDING MANAGEMENT SYSTEM (HB)

With 0-10V analog input.

Without control panel: the speed of the boosters is determined by the control signal. Automatic heating / cooling changeover is possible.

H 200 - VERTIGA HYBRID

DIMENSIONS			POSITION	HEATING Room temperature 20°C				COOLING (Non-condensing) Room temperature 27°C	SOUND PRESSURE* dB(A)	ORDER CODE
H cm	L cm	B cm		75/65 Watts	55/45 Watts	45/35 Watts	35/30 Watts	16/18 Watts		
200	041	08	1	1315	784	517	325	127	26.0	VERW.200 041 08 /XXX
			2	1449	864	569	359	154	30.0	
			3	1620	966	636	401	178	33.3	
	052	08	1	1428	852	561	353	151	26.0	VERW.200 052 08 /XXX
			2	1633	974	642	404	180	30.0	
			3	2289	1365	899	566	237	36.6	
	065	08	1	1641	979	645	406	180	26.0	VERW.200 065 08 /XXX
			2	1872	1116	735	463	210	30.0	
			3	3042	1814	1195	753	304	39.9	
200	053	12	1	2054	1225	807	508	230	26.0	VERW.200 053 12 /XXX
			2	2374	1416	933	587	281	30.0	
			3	2925	1744	1149	724	410	38.7	
	070	12	1	2941	1754	1155	728	477	26.0	VERW.200 070 12 /XXX
			2	3808	2271	1496	942	578	30.0	
			3	4362	2601	1714	1079	918	40.8	
	090	12	1	3461	2064	1360	856	717	26.0	VERW.200 090 12 /XXX
			2	4758	2838	1869	1177	859	30.0	
			3	5605	3343	2202	1387	1464	42.9	

Output measured in accordance with EN 16430

* Noise measurement according to ISO 3741:2010, 2 m from the device and with an assumed room attenuation of 8 dB(A) / room volume 100 m³ / reverberation time 0.5 sec.

enter colour code

jaga
CLIMATE
DESIGNERS

Jaga International
Verbindingslaan 16
B-3590 Diepenbeek

Tel.: +32 (0)11 29 41 12
Fax: +32 (0)11 29 41 60
export@jaga.com

Jaga reserves the right to change product specification at any time in line with our policy of continuous improvement and innovation.