

jaga

CLIMATE DESIGNERS

Heating 

Light cooling 

Deep cooling 

Ventilation 

BRIZA

FAN CONVECTORS AND FAN COILS





jaga

CLIMATE DESIGNERS

Climate change and evolution of construction techniques demand new ecological solutions for heating, cooling and ventilation.

New technologies have to consume far less energy. They have to ensure a better indoor climate without damaging the outdoor climate. Traditional systems with fire and carbon emissions have to be extinguished. We have to evolve towards a green flame and build a sustainable path towards a better future. Choosing the sustainable path is no longer a matter of choice, it's an obligation.

Always honouring its values, Jaga Climate Designers continually look for the most ecological solutions for heating, cooling and ventilation.

***THE GO-TO COMPANY FOR
DYNAMIC HEATING AND COOLING
CONVECTORS THAT OPTIMISE
RENEWABLE ENERGY***

BRIZA

Looking for that sophisticated, intelligent radiator to compliment your interior design?

Well you've come to the right place...

Briza is a state-of-the-art fan convector that looks amazing in any space. Its compact and slimline design encompasses intelligent engineering that provides thermal comfort throughout the year.

Briza is the perfect heat emitter for low water flow temperatures associated with heat pumps and alternative renewable energy technologies. It can condition the air too with its deep cooling function, reducing temperature and humidity in the space.

If you prefer a more sustainable approach to cooling, then light cooling (non-condensing) which reduces air temperature by a few degrees, is for you.

FEATURES AND OPTIONS INCLUDE:

- Cased and concealed
- Wall or ceiling
- 2 or 4-pipe heat exchanger
- Powerful heating
- Deep or light cooling
- Breeze function
- Control packages
- Condensate control
- Duct and grilles
- Colour options



BRIZA



APPLICATIONS

A DYNAMIC SOLUTION FOR ANY APPLICATION

Briza is suitable for a wide range of applications where high power and quiet heating, cooling and ventilation is required.

With its sleek and slimline design, it's the perfect solution for residential projects and is also ideal for renovation projects, retail stores, office spaces and meeting rooms, schools, hotels, public buildings and many more.

Briza is available as a surface wall or ceiling model, with a robust and elegant casing to enhance the décor of any space. Alternatively, concealed variants are available,

ideal for building into wall or ceiling recesses, complete with a choice of duct accessories and grilles.

If you're heating or cooling a small space then Briza 12 is the perfect choice. Its shallow depth allows designers to integrate seamlessly and beautifully into any room.

For larger spaces, or multi-room applications, take a look at our Briza 22. Delivering high output heating and cooling at lower flow temperature, it has a powerful fan unit suited for ducted applications with the option of delivering fresh air for full ventilation.

GUARANTEE

- Heat exchanger: 5 years
- Electrical components: 2 years
- Valves: 3 years
- Other components: 10 years



COMPONENT PARTS



HEAT EXCHANGER

- 2-pipe system for heating and cooling with one hydraulic circuit, or...
- 4-pipe system for heating and cooling with two dedicated hydraulic circuits, one for each function
- Standard connection on the left-hand side
- Hydraulic connection 1/2" BSP - F , or 3/4" BSP - F model dependent
- Manufactured from round, seamless circular pipes in pure copper, connected to pure aluminium panels with a common distance of 2.1mm and an integrated brass collector, including air vent
- Test pressure: 25 bar
- Maximum working pressure: 10 bar

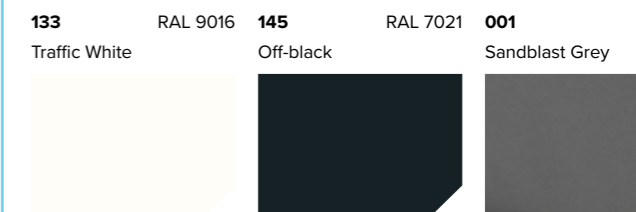
FAN WITH EC MOTOR

- Electrical connection standard on the right-hand side
- Tangential activators with aluminium fins, with EPDM vibration reduction and ball bearing support
- EC motor with 0 to 10 V control

CASING

- Casings are manufactured using 1.25mm galvanized sheet steel
- Finished in a scratch resistant epoxy polyester powder paint
- Surface temperature will not exceed 43°C

STANDARD COLOURS



More colour options on pages 32-33



DIMENSIONS WITH CASING - BRIZA 12

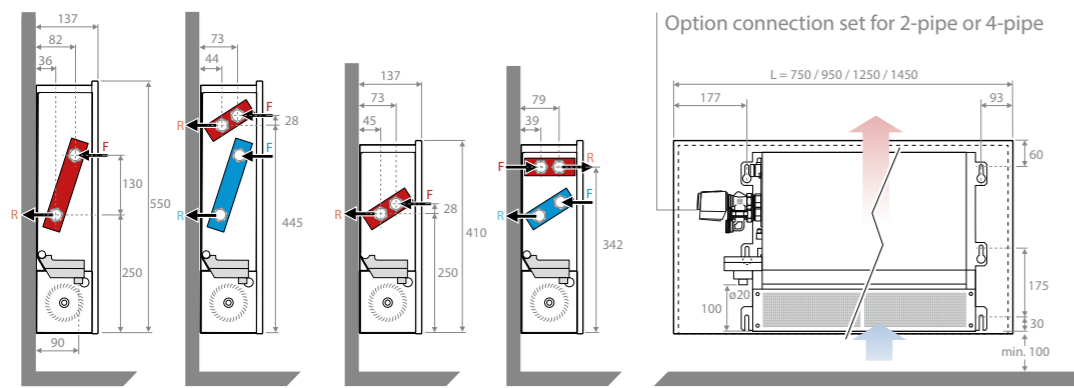


BZMW SURFACE WALL

BZMC SURFACE CEILING

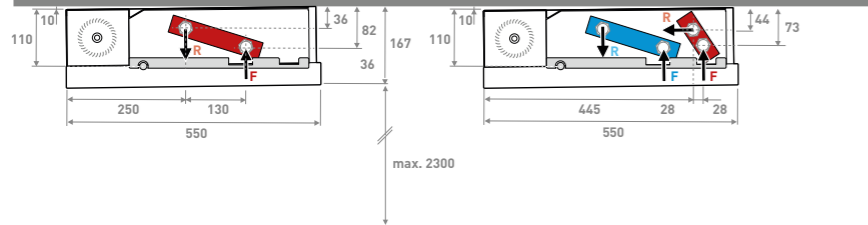
BZMW

H 550 / 2-pipe H 550 / 4-pipe H 410 / 2-pipe H 410 / 4-pipe

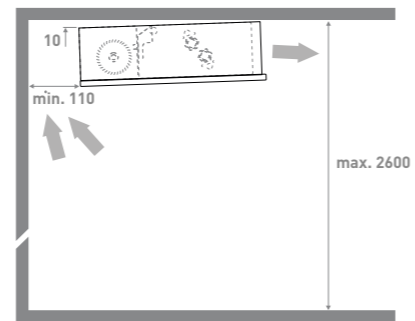
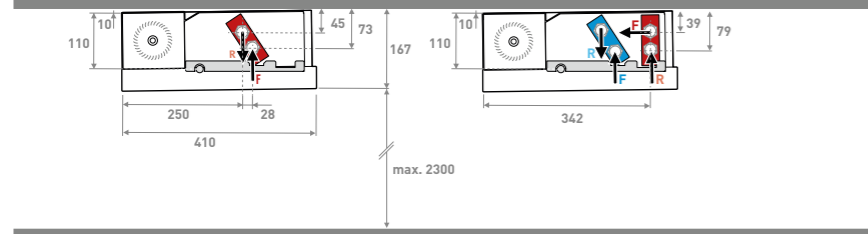


BZMC

H 550 / 2-pipe H 550 / 4-pipe



H 410 / 2-pipe H 410 / 4-pipe



DIMENSIONS WITHOUT CASING - BRIZA 12

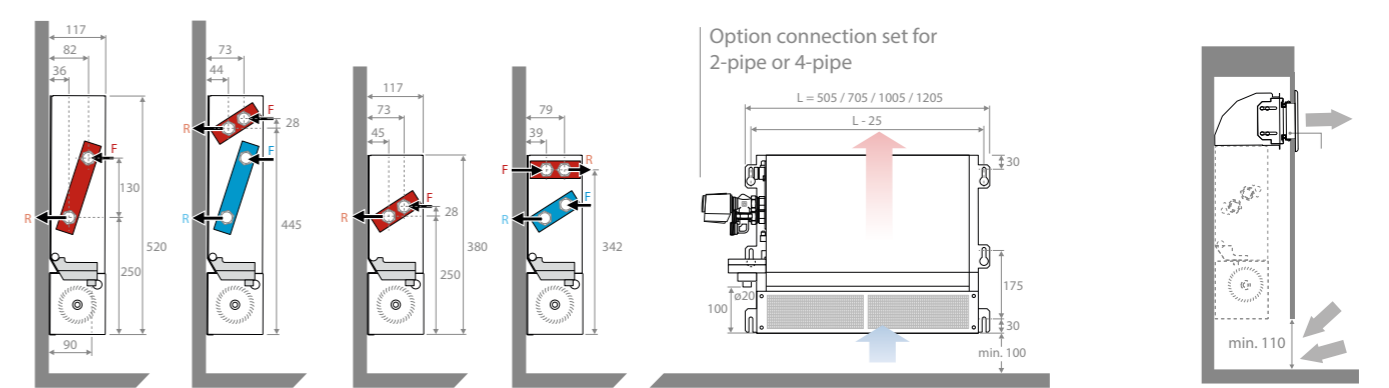


BZBW CONCEALED WALL

BZBC CONCEALED CEILING

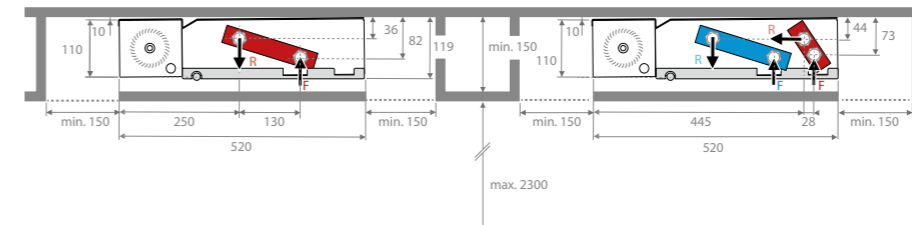
BZBW

H 520 / 2-pipe H 520 / 4-pipe H 380 / 2-pipe H 380 / 4-pipe

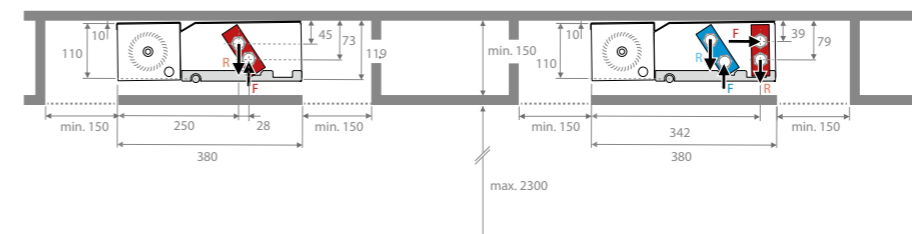


BZBC

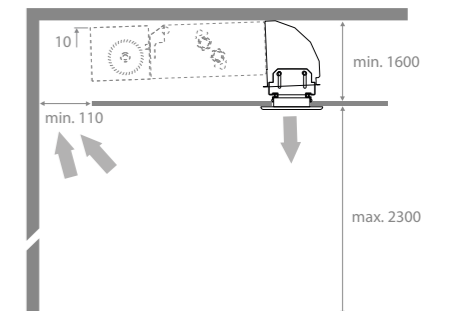
H 520 / 2-pipe H 520 / 4-pipe



H 380 / 2-pipe H 380 / 4-pipe



Built-in model with air outlet corner piece



PERFORMANCE - BRIZA 12

BZMW/BZMC SURFACE WALL AND CEILING (WITH CASING)

HEIGHT 410 – 2-PIPE

L mm	CONTROL VOLTAGE V	HEATING			TOTAL COOLING	SENSIBLE COOLING	LIGHT COOLING	SOUND PRESSURE* dB(A)	AIR FLOW m³/h	POWER CONSUMPTION Watts	WEIGHT kg	WATER CONTENT l	ORDER CODE
		75/65 Watts	55/45 Watts	45/35 Watts	7/12 Watts	7/12 Watts	16/18 Watts						
750	2	903	538	355	284	201	115	18.5	64	1.6			
	4	1035	617	406	328	235	135	29.4	101	2.6			
	6	1194	712	469	382	276	159	31.3	141	4.3	16.0	0.17	BZMW.041 075 12.XXX/20
	8	1399	834	550	441	323	185	37.3	178	7.2			
	10	1669	996	656	503	373	214	42.5	214	13.0			
950	2	1545	921	607	472	334	191	24.0	108	2.5			
	4	1699	1014	668	529	379	217	30.0	172	4.3			
	6	1797	1072	706	607	440	252	36.8	223	7.2	20.3	0.27	BZMW.041 095 12.XXX/20
	8	2243	1338	881	707	518	297	41.5	287	11.5			
	10	2749	1640	1080	828	614	352	44.5	346	18.0			
1250	2	2431	1450	955	773	547	313	24.6	146	2.6			
	4	2717	1620	1067	845	605	347	30.2	221	4.8			
	6	3090	1843	1214	953	691	396	37.0	298	8.0	27.5	0.43	BZMW.041 125 12.XXX/20
	8	3617	2157	1421	1106	811	465	42.5	381	14.0			
	10	4367	2604	1715	1314	974	559	47.0	448	24.0			
1450	2	2999	1788	1178	1015	718	412	25.7	173	2.8			
	4	3401	2028	1336	1097	785	450	30.5	268	5.5			
	6	3894	2323	1530	1215	881	505	37.3	373	10.3	31.9	0.54	BZMW.041 145 12.XXX/20
	8	4551	2714	1788	1390	1019	584	43.0	466	18.5			
	10	5444	3247	2138	1640	1216	698	47.0	510	28.8			

BZMW (surface wall) enter
BZMC (surface ceiling) colour code

PERFORMANCE - BRIZA 12

BZMW/BZMC SURFACE WALL AND CEILING (WITH CASING)

HEIGHT 550 – 2-PIPE

L mm	CONTROL VOLTAGE V	HEATING			TOTAL COOLING	SENSIBLE COOLING	LIGHT COOLING	SOUND PRESSURE* dB(A)	AIR FLOW m³/h	POWER CONSUMPTION Watts	WEIGHT kg	WATER CONTENT l	ORDER CODE
		75/65 Watts	55/45 Watts	45/35 Watts	7/12 Watts	7/12 Watts	16/18 Watts						
750	2	1400	835	550	419	296	170	19.2	81	2.0			
	4	1701	1014	668	521	373	214	25.2	118	3.2			
	6	2000	1193	786	617	447	256	32.2	154	5.5	18.0	0.33	BZMW.055 075 12.XXX/20
	8	2295	1369	902	705	517	296	38.1	193	9.6			
	10	2588	1544	1017	781	579	332	42.5	228	16.8			
950	2	2250	1342	884	728	515	295	23.0	116	2.2			
	4	2781	1658	1092	872	624	358	27.8	176	3.6			
	6	3309	1973	1300	1025	743	426	34.4	238	5.7	23.0	0.54	BZMW.055 095 12.XXX/20
	8	3816	2276	1499	1171	859	492	39.9	291	9.6			
	10	4285	2555	1683	1294	959	550	43.5	332	15.6			
1250	2	3561	2124	1399	1170	827	474	23.1	153	2.8			
	4	4420	2636	1736	1387	993	569	29.1	236	5.4			
	6	5280	3149	2074	1628	1179	676	36.5	321	10.0	30.0	0.87	BZMW.055 125 12.XXX/20
	8	6097	3637	2395	1863	1365	783	42.5	398	18.0			
	10	6831	4074	2683	2062	1529	877	46.5	467	28.8			
1450	2	4509	2689	1771	1455	1029	590	25.0	182	2.8			
	4	5525	3295	2170	1728	1237	709	30.8	270	5.5			
	6	6588	3929	2588	2030	1471	843	37.5	360	10.0	34.0	1.08	BZMW.055 145 12.XXX/20
	8	7615	4542	2991	2324	1704	977	42.8	455	18.0			
	10	8526	5085	3349	2575	1910	1095	46.5	531	28.8			

BZMW (surface wall) enter
BZMC (surface ceiling) colour code

HEIGHT 410 – 4-PIPE

L mm	CONTROL VOLTAGE V	HEATING			TOTAL COOLING	SENSIBLE COOLING	LIGHT COOLING	SOUND PRESSURE* dB(A)	AIR FLOW m³/h	POWER CONSUMPTION Watts	WEIGHT kg	WATER CONTENT l	ORDER CODE
		75/65 Watts	55/45 Watts	45/35 Watts	7/12 Watts	7/12 Watts	16/18 Watts						
750	2	698	416	274	228	161	92	18.5	29	1.8			
	4	840	501	330	267	191	109	29.4	61	3.0			
	6	948	566	372	308	223	128	31.3	86	4.8	17.0	H: 0.17 C: 0.17	BZMW.041 075 12.XXX/4/20
	8	1120	668	440	353	259	149	37.3	116	8.0			
	10	1336	797	525	402	298	171	42.5	143	13.7			
950	2	1211	722	476	364	257	148	24.0	52	2.0			
	4	1349	805	530	430	308	177	30.0	92	3.4			
	6	1529	912	601	492	356	204	36.8	144	5.7	21.3	H: 0.27 C: 0.27	BZMW.041 095 12.XXX/4/20
	8	1797	1072	706	564	413	237	41.5	194	8.4			
	10	2200	1312	864	662	491	282	44.5	229	14.4			
1250	2	1924	1148	756	592	418	240	24.6	73	2.3			
	4	2163	1290	850	673	482	276	30.2	149	4.1			
	6	2470	1473	970	765	554	318	37.0	220	7.4	29.0	H: 0.43 C: 0.43	BZMW.041 125 12.XXX/4/20
	8	2896	1727	1138	884	648	372	42.5	278	12.6			
	10	3492	2083	1372	1051	780	447	47.0	364	20.9			
1450	2	2380	1420	935	717	507	291	25.7	89	2.5			
	4	2722	1623	1069	840	601	345	30.5	158	4.5			
	6	3119	1860	1225	964	698	400	37.3	227	9.0	33.9	H: 0.54 C: 0.54	BZMW.041 145 12.XXX/4/20
	8	3641	2171	1430	1114	816	468	43.0	289	17.0			
	10	4355	2597	1711	1312	973	558	47.0	382	28.8			

BZMW (surface wall) enter
BZMC (surface ceiling) colour code

HEIGHT 550 – 4-PIPE

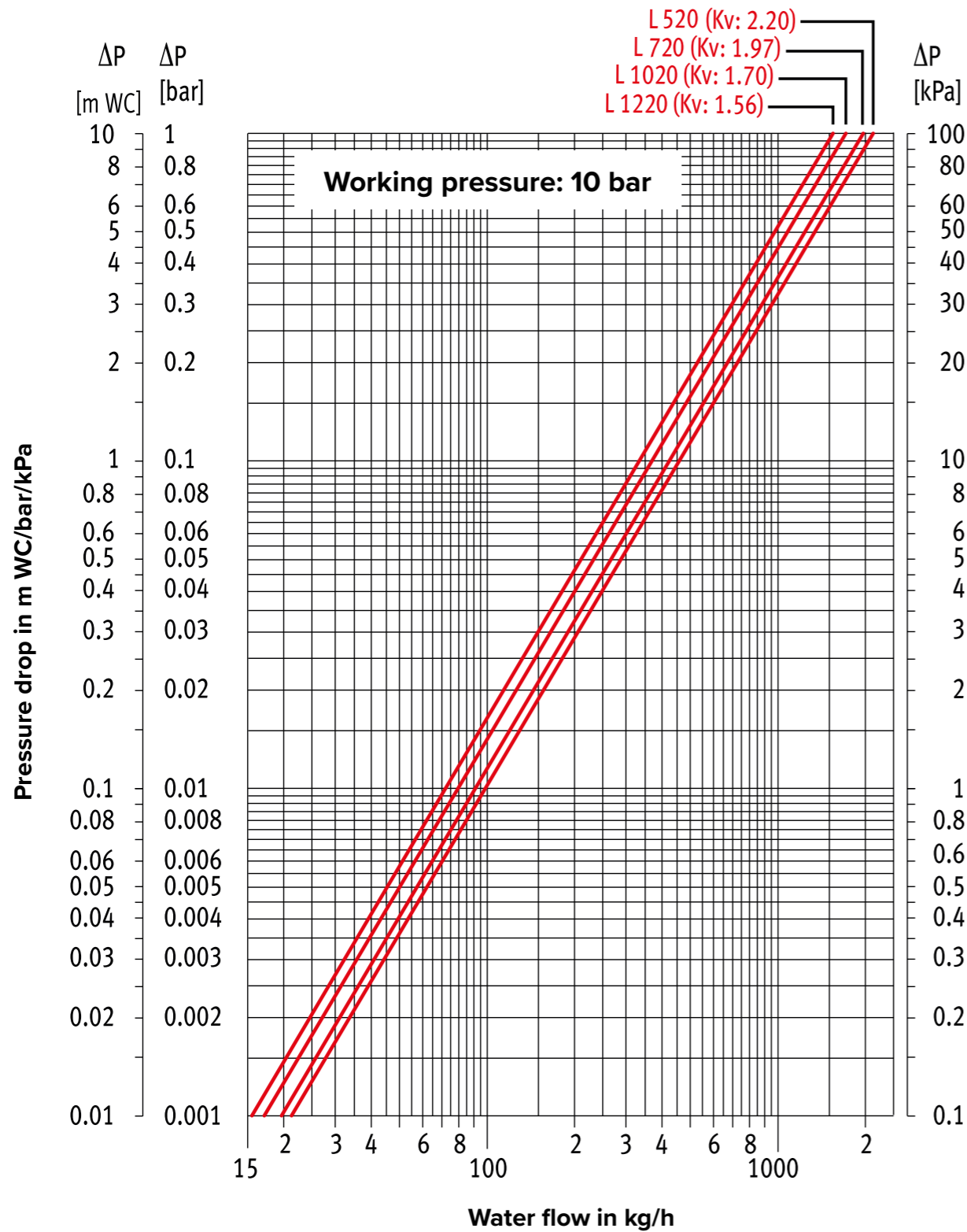
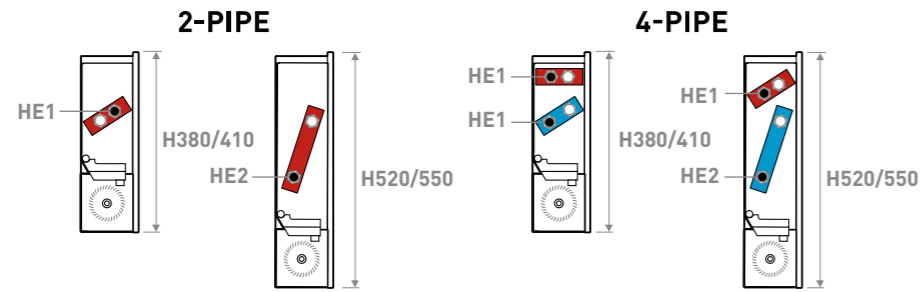
L mm	CONTROL VOLTAGE V	HEATING			TOTAL COOLING	SENSIBLE COOLING	LIGHT COOLING	SOUND PRESSURE* dB(A)	AIR FLOW m³/h	POWER CONSUMPTION Watts	WEIGHT kg	WATER CONTENT l	ORDER CODE
		75/65 Watts	55/45 Watts	45/35 Watts	7/12 Watts	7/12 Watts	16/18 Watts						
750	2	610	364	240	340	240	138	19.2	27	1.6			
	4	696	415	273	396	284	163	25.2	67	2.2			
	6	778	464	306	464	336	193	32.2	107	3.6	19.0	H: 0.17 C: 0.33	BZMW.055 075 12.XXX/4/20
	8	923	550	363	531	389	223	38.1	137	6.3			
	10	1102	657	433	586	434	249	42.5	171	10.3			
950	2	1000	596	393	555	392	225	23.0	72	2.1			
	4	1115	665	438	654	468	268	27.8	123	3.4			
	6	1250	745	491	764	554	318	34.4	168	5.9	24.0	H: 0.27 C: 0.54	BZMW.055 095 12.XXX/4/20
	8	1480	883	581	873	640	367	39.9	228	10.0			
	10	1813	1081	712	969	719	412	43.5	257	15.6			
1250	2	1570	936	617	865	612	351	23.1	112	2.3			
	4	1798	1072	706	1038	743	426	29.1	183	4.2			
	6	2040	1216	801	1224	887	509	36.5	260	7.5	31.5	H: 0.43 C: 0.87	BZMW.055 125 12.XXX/4/20
	8	2399	1431	942	1401	1027	589	42.5	328	12.8			
	10	2879	1717	1131	1546	1147	658	46.5	385	22.3			
1450	2	1980	1181	778	1126	797	457	25.0	126	2.7			
	4	2245	1339	882	1302	932	534	30.8	228	5.2			
	6	2565	1530	1008	1521	1102	632	37.5	304	9.1	36.0	H: 0.54 C: 1.08	BZMW.055 145 12.XXX/4/20
	8	2996	1787	1177	1742	1277	732	42.8	393	16.0			
	10	3591	2142	1411	1928	1430	820	46.5	462	27.3			

BZMW (surface wall) enter
BZMC (surface ceiling) colour code

Output measured in accordance with EN16430 - 2014. Room temperature 20°C heating, 27°C cooling. For outputs at different conditions please contact Jaga UK. Sound pressure calculated based on sound power measurements in accordance with ISO 3741:2010 and on an assumed room dampening of 8dB(A). In water content data H=heating circuit and C=cooling circuit

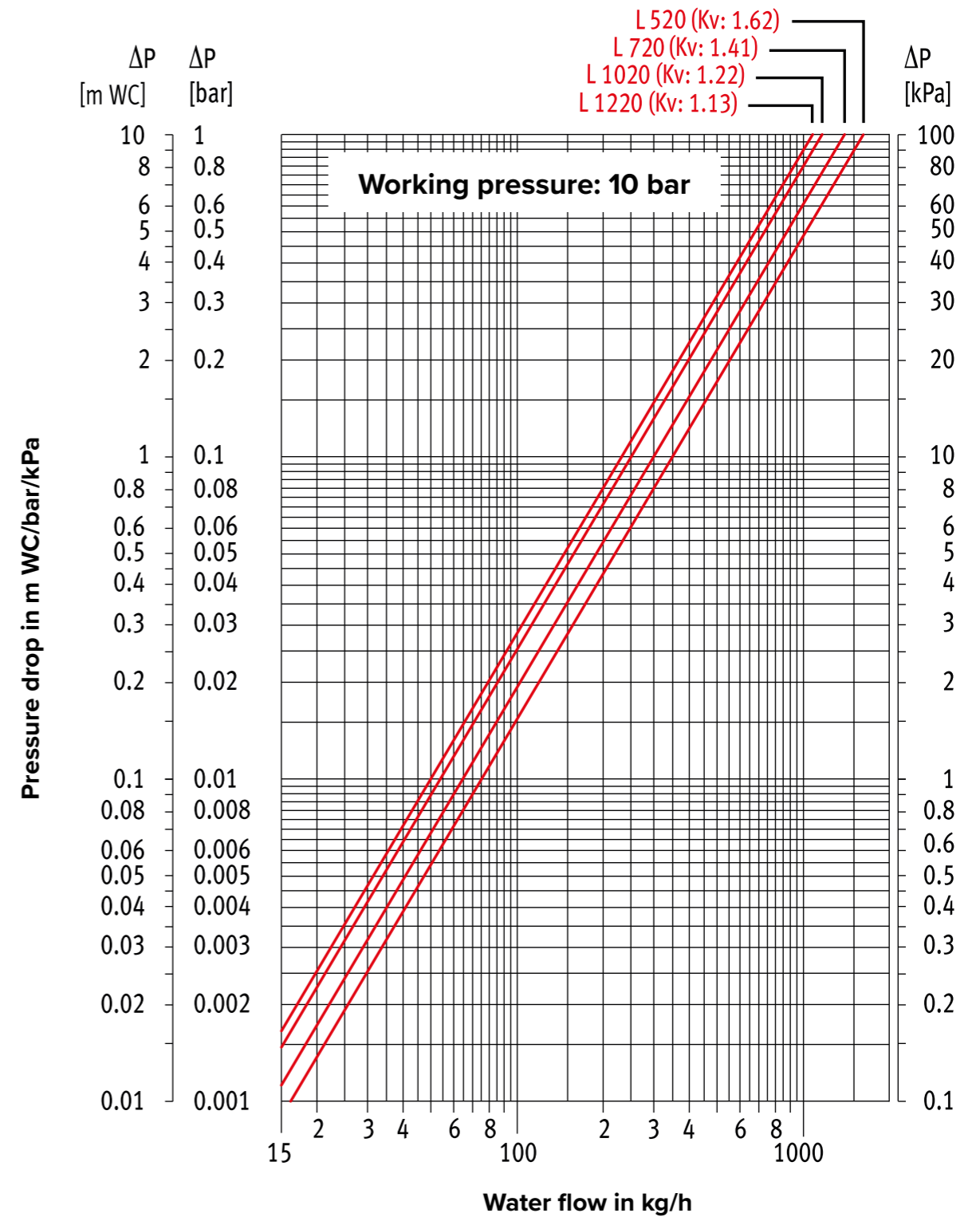
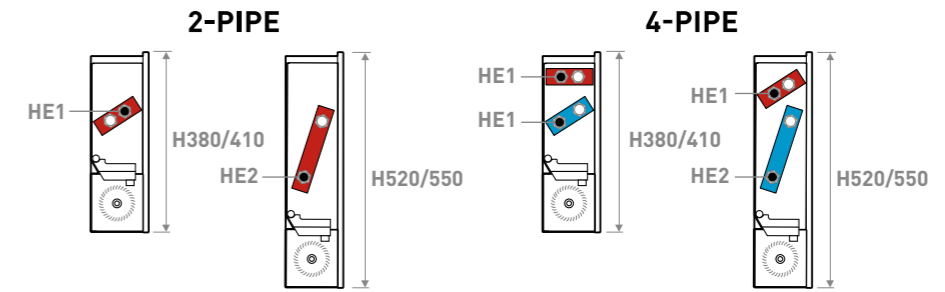
Output measured in accordance with EN16430 - 2014. Room temperature 20°C heating, 27°C cooling. For outputs at different conditions please contact Jaga UK. Sound pressure calculated based on sound power measurements in accordance with ISO 3741:2010 and on an assumed room dampening of 8dB(A). In water content data H=heating circuit and C=cooling circuit

PRESSURE DROP HEAT EXCHANGER 1 - BRIZA 12



• Lengths based on concealed wall and ceiling

PRESSURE DROP HEAT EXCHANGER 2 - BRIZA 12



• Lengths based on concealed wall and ceiling

CONTROL PACKAGES - BRIZA 12

NOW THAT YOU HAVE SELECTED YOUR BRIZA, IT'S TIME TO CONSIDER HOW YOU WOULD LIKE TO CONTROL IT...

We are pleased to offer a range of packaged control options to suit most operational requirements and budget limitations. From our bronze package, through to our platinum offering, we've got you covered.

For further assistance on any of our control packages, or for control options other than detailed here, please contact our technical sales team.

BRONZE PACKAGE

The bronze package is very similar to a standard radiator control. It's a simple thermostatic radiator head for heating, and the fan runs at one speed only.

All components are factory fitted, excluding the head.

Suitable for cased units and 2-pipe coils only.

Order code (2-pipe)
BRZ.CPBRON.UK/2P



Factory fitted components:

- 240V to 24V power supply
- TRV head supplied separately
- Heating only
- Suitable for cased units and 2-pipe coils only
- Single fan speed operation only, but actual speed can be changed

If you require heating and cooling, then a head controlling both functions can be supplied.



Order code (2-pipe)
BRZ.CPBRON.UK/HC/2P

SILVER PACKAGE

For simple three speed control for heating and cooling, choose our silver option. The push button control is factory fitted, positioned on the air discharge louvre.

Lockshield valves are supplied separately.

Order code (2-pipe)

BRZ.CPSILV.UK/2P

Order code (4-pipe)

BRZ.CPSILV.UK/4P



Factory fitted components:

- 3 speed manual control unit
- 240V to 24V power supply
- Motorised valve
- Complete with lockshield valves
- Heating and cooling
- Suitable for wall mounted cased units
- 2 and 4-pipe coils
- Three fan speed operation

GOLD PACKAGE

The gold package incorporates a remote wall-mounted control unit that offers full functionality and programmability.

All control components are supplied separately for onsite installation.

Suitable for cased and concealed units.

Order code (2-pipe)

BRZ.CPGOLD.UK/2P

Order code (4-pipe)

BRZ.CPGOLD.UK/4P



- Wall mounted digital control
- 240V to 24V power supply
- Motorised valve
- Heating and cooling
- Suitable for cased and uncased units
- 2 and 4-pipe coils
- Variable fan speed operation

PLATINUM PACKAGE

Our flagship control package with all control components factory fitted for a plug and play experience.

Incorporating a fully programmable touchscreen control, with Wi-Fi and App capability.

Suitable for wall-mounted cased units only.

Order code (2-pipe)

BRZ.CPPLAT.UK/2P

Order code (4-pipe)

BRZ.CPPLAT.UK/4P



- Integrated digital touchscreen control
- 240V to 24V power supply
- Motorised valve
- Heating and cooling
- Suitable for wall mounted unit with casing only
- 2 and 4-pipe coils
- Variable fan speed operation

For concealed and ceiling-mounted units all components are supplied separately for onsite installation.



Order code (2-pipe)

BRZ.CPPLAT.UK/2P/CC

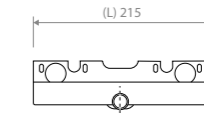
Order code (4-pipe)

BRZ.CPPLAT.UK/4P/CC

OPTIONAL EXTRAS - BRIZA 12

ADDITIONAL CONDENSATE TRAY FOR BZBC

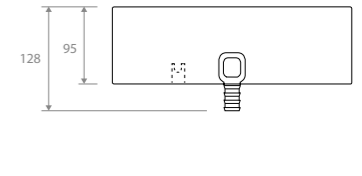
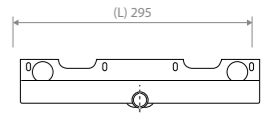
BRIZA H380



BRIZA H380

l (mm)	CODE
215	5127.00010001

BRIZA H520



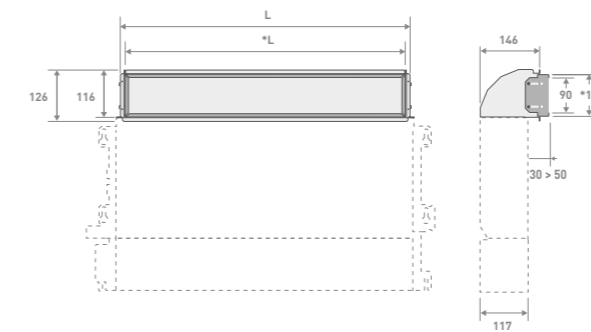
BRIZA H520

l (mm)	CODE
295	5127.00010002

This is an additional option to collect possible condensation from external pipework and valves. It simply bolts to the chassis, sitting slightly under the standard condensate tray.

90° DUCT BEND FOR BZBW/BZBC

(30 TO 50mm ADJUSTMENT)

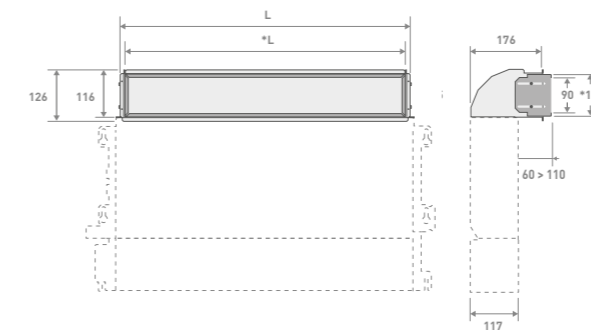


* Minimum dimensions opening air outlet (without optional exhaust grille)

Briza (L)	L (mm)	*L (mm)	CODE
520	410	370	5927.00005201
720	610	570	5927.00007201
1020	910	870	5927.00010201
1220	1110	1070	5927.00012201

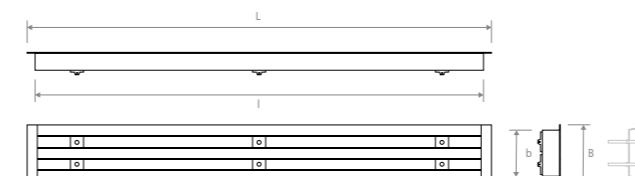
90° DUCT BEND FOR BZBW/BZBC

(60 TO 110mm ADJUSTMENT)



Briza (L)	L (mm)	*L (mm)	CODE
520	410	370	5927.00005202
720	610	570	5927.00007202
1020	910	870	5927.00010202
1220	1110	1070	5927.00012202

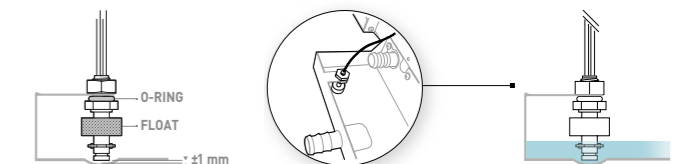
GRILLE WITH ADJUSTABLE LOUVRES



Briza (L)	Frame external dimensions		Frame internal dimensions		Order code
	Length (L)	Width (B)	Length (l)	Width (b)	
520	390	110	355	90	8789.221
720	590	110	555	90	8789.222
1020	890	110	855	90	8789.223
1220	1090	110	1055	90	8789.224

- Can be used in conjunction with 90° duct bends or connect to construction fascias
- For outlet and inlet air requirements
- Manufactured from extruded aluminium
- RAL 9003 white finish
- Black louvres

SENSOR FOR CONDENSATION COLLECTION TRAY

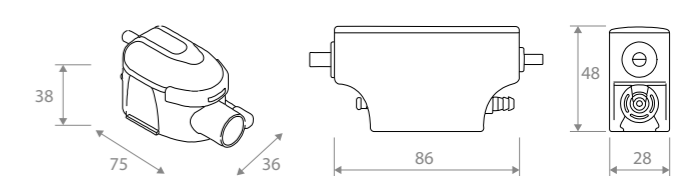


CODE
5127.00010003

Supplied to sense the level of the condensate in the tray. When activated it sends an electrical signal to a room thermostat, BMS, valve or alarm system.

- 10 Watt switching capability
- 80°C maximum temperature
- 100 VDC maximum switching voltage
- Maximum Specific Gravity 0.09

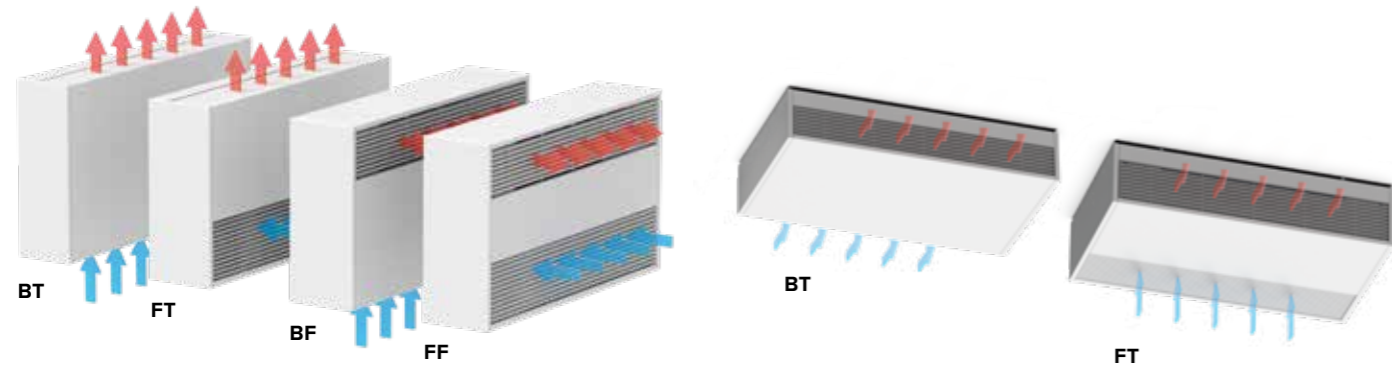
CONDENSATE PUMP



CODE
8773.0101

- Low noise
- Flow rate 1.5l/h
- Power 19W 220/240 VAC 50/60 Hz
- Noise level 19.7 dB(A)
- IP64 protection
- Suction head 2m
- Discharge maximum head 10m
- Cable length 1.6m

DIMENSIONS WITH CASING - BRIZA 22



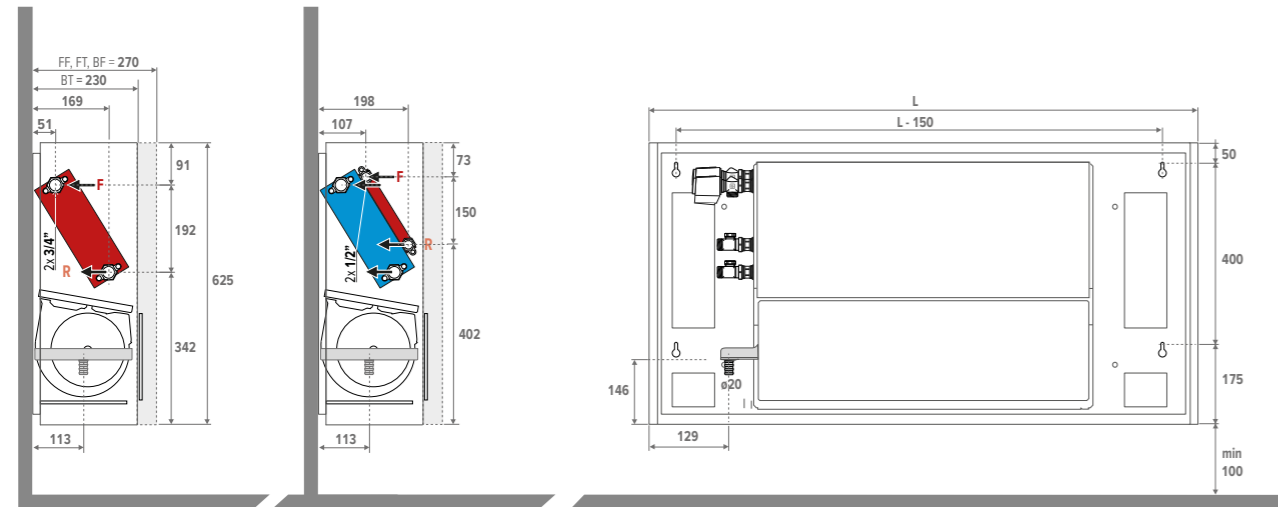
BAMW SURFACE WALL

BAMC SURFACE CEILING

BAMW

2-pipe

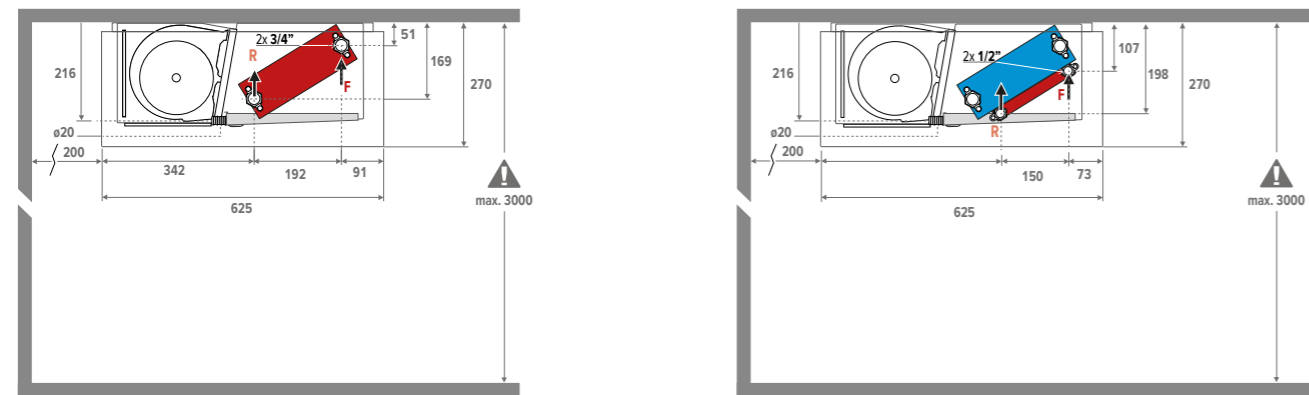
4-pipe



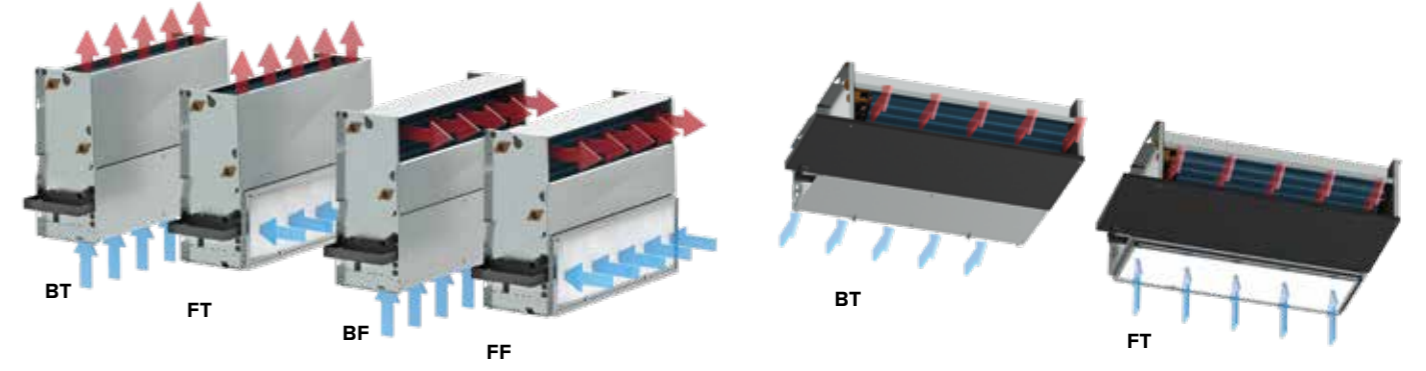
BAMC

2-pipe

4-pipe



DIMENSIONS WITHOUT CASING - BRIZA 22



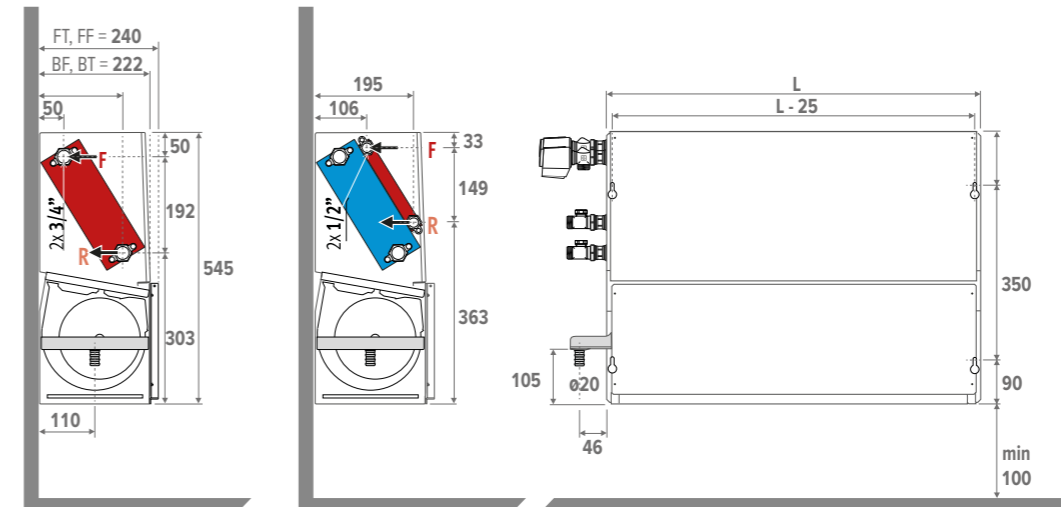
BABW CONCEALED WALL

BABC CONCEALED CEILING

BABW

2-pipe

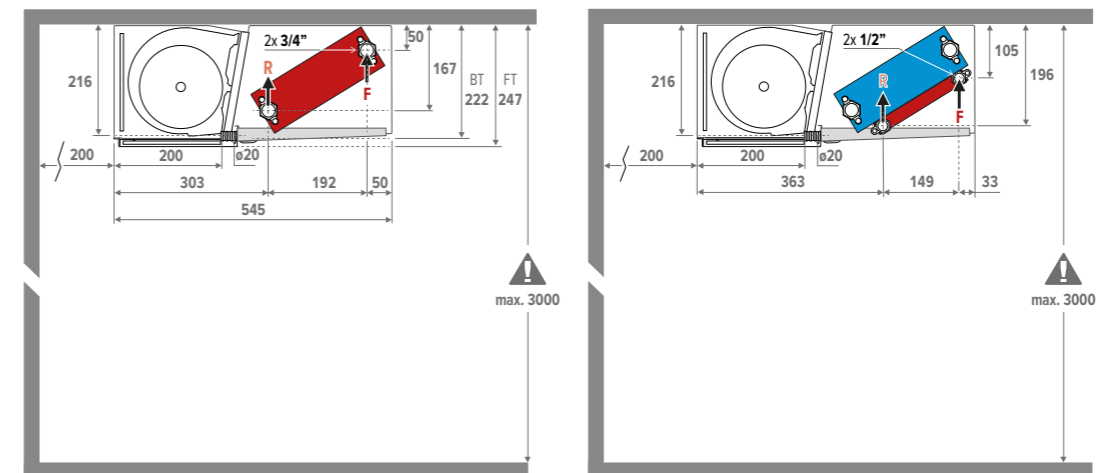
4-pipe



BABC

2-pipe

4-pipe



PERFORMANCE - BRIZA 22

BAMW/BAMC SURFACE WALL AND CEILING (WITH CASING)

HEIGHT 630 – 2-PIPE

L mm	CONTROL VOLTAGE V	HEATING			TOTAL COOLING	SENSIBLE COOLING	LIGHT COOLING	SOUND PRESSURE*	AIR FLOW	POWER CONSUMPTION	WEIGHT	WATER CONTENT	ORDER CODE
		75/65 Watts	55/45 Watts	45/35 Watts	7/12 Watts	7/12 Watts	16/18 Watts	dB(A)	m³/h	Watts	kg	l	
900	2	1918	1131	739	831	594	338	26	116	3.6	32	1.23	BAMW.063 090 22.XXX/BT/20
	4	3493	2061	1346	1497	1070	605	35	221	8.3			
	6	4580	2702	1764	2014	1440	779	43	308	16.1			
	8	5541	3269	2134	2467	1764	935	47	391	29			
	10	6060	3575	2334	2692	1925	1026	51	434	38.2			
1100	2	2615	1575	1046	1279	915	446	21	155	3.5	40	1.77	BAMW.063 110 22.XXX/BT/20
	4	4678	2819	1872	2209	1579	771	30	284	8.3			
	6	6264	3774	2507	2933	2097	1023	39	396	16.7			
	8	7581	4568	3034	3543	2533	1236	45	503	30.1			
	10	8533	5141	3415	3991	2853	1392	49	591	43.8			
1300	2	3430	2014	1310	1616	1155	636	22	215	3.8	49	2.23	BAMW.063 130 22.XXX/BT/20
	4	6051	3552	2310	2804	2005	1104	30	359	9.3			
	6	8190	4808	3127	3767	2694	1483	37	491	19.1			
	8	9959	5846	3802	4557	3258	1794	43	614	33.5			
	10	11098	6515	4237	5060	3618	1992	47	703	47.8			
1600	2	4722	2826	1867	1930	1380	694	28	290	7	63	3.14	BAMW.063 160 22.XXX/BT/20
	4	8160	4884	3226	3345	2392	1203	36	534	16.6			
	6	10677	6390	4221	4439	3174	1597	43	730	33.9			
	8	13036	7802	5153	5524	3949	1987	49	931	59.4			
	10	14479	8665	5724	6224	4450	2239	53	1065	83.5			
1900	2	4691	2826	1877	2112	1510	737	25	341	7	77	4.05	BAMW.063 190 22.XXX/BT/20
	4	8383	5051	3355	3823	2733	1334	34	614	16.9			
	6	11605	6992	4644	5322	3805	1857	41	860	34.8			
	8	14491	8731	5799	6670	4769	2327	47	1088	61.8			
	10	16462	9919	6587	7595	5430	2650	51	1248	89.2			
2250	2	7624	4590	3047	3594	2570	1266	32	477	10.7	95	4.46	BAMW.063 225 22.XXX/BT/20
	4	13160	7924	5259	6194	4428	2181	39	845	25			
	6	17812	10725	7119	8360	5977	2944	47	1170	50.1			
	8	21993	13242	8789	10291	7358	3624	52	1477	87.9			
	10	24511	14758	9795	11446	8183	4031	55	1670	125.3			

BAMW (surface wall) enter
BAMC (surface ceiling) colour code

BT (Bottom Top) BF (Bottom Front)
FT (Front Top) FF (Front Front)

Output measured in accordance with EN 1397. Room temperature 20°C heating, 27°C cooling. For outputs at different conditions please contact Jaga UK.
Sound pressure calculated based on sound power measurements in accordance with ISO 3741:2010 and on an assumed room dampening of 8dB(A)

PERFORMANCE - BRIZA 22

BAMW/BAMC SURFACE WALL AND CEILING (WITH CASING)

HEIGHT 630 – 4-PIPE

L mm	CONTROL VOLTAGE V	HEATING			TOTAL COOLING	SENSIBLE COOLING	LIGHT COOLING	SOUND PRESSURE*	AIR FLOW	POWER CONSUMPTION	WEIGHT	WATER CONTENT	ORDER CODE
		75/65 Watts	55/45 Watts	45/35 Watts	7/12 Watts	7/12 Watts	16/18 Watts	dB(A)	m³/h	Watts	kg	l	
900	2	1326	738	460	831	594	338	26	116	3.6	33	H: 0.31 C: 1.23	BAMW.063 090 22.XXX/BT/4/20
	4	1724	960	598	1497	1070	605	35	221	8.3			
	6	2114	1177	734	2014	1440	779	43	308	16.1			
	8	2386	1329	828	2467	1764	935	47	391	29			
	10	2505	1395	869	2692	1925	1026	51	434	38.2			
1100	2	1490	830	518	1279	915	446	21	155	3.5	41	H: 0.42 C: 1.77	BAMW.063 100 22.XXX/BT/4/20
	4	2366	1318	822	2209	1579	771	30	284	8.3			
	6	2955	1646	1026	2933	2097	1023	39	396	16.7			
	8	3382	1885	1175	3543	2533	1236	45	503	30.1			
	10	3652	2035	1269	3991	2853	1392	49	591	43.8			
1300	2	2110	1170	726	1616	1155	636	22	215	3.8	50	H: 0.53 C: 2.23	BAMW.063 130 22.XXX/BT/4/20
	4	3112	1725	1071	2804	2005	1104	30	359	9.3			
	6	3825	2120	1316	3767	2694	1483	37	491	19.1			
	8	4336	2404	1492	4557	3258	1794	43	614	33.5			
	10	4627	2565	1593	5060	3618	1992	47	703	47.8			
1600	2	3587	2027	1278	1930	1380	694	28	290	7	62	H: 0.69 C: 3.14	BAMW.063 160 22.XXX/BT/4/20
	4	4951	2798	1764	3345	2392	1203	36	534	16.6			
	6	5898	3333	2102	4439	3174	1597	43	730	33.9			
	8	6733	3805	2399	5524	3949	1987	49	931	59.4			
	10	7211	4075	2570	6224	4450	2239	53	1065	83.5			
1900	2	3320	1891	1200	2112	1510	737	25	341	7	79	H: 0.85 C: 4.05	BAMW.063 190 22.XXX/BT/4/20
	4	5199	2960	1878	3823	2733	1334	34	614	16.9			
	6	6713	3822	2425	5322	3805	1857	41	860	34.8			
	8	7960	4533	2876	6670	4769	2327	47	1088	61.8			
	10	8748	4981	3160	7595	5430	2650	51	1248	89.2			
2250	2	5572	3167	2007	3594	2570	1266	32	477	10.7	96	H: 1.06 C: 4.46	BAMW.063 225 22.XXX/BT/4/20
	4	8273	4703	2980	6194	4428	2181	39	845	25			
	6	10335	5875	3722	8360	5977	2944	47	1170	50.1			
	8	12000	6821	4322	10291	7358	3624	52	1477	87.9			
	10	12904	7335	4648	11446	8183	4031	55	1670	125.3			

BAMW (surface wall) enter
BAMC (surface ceiling) colour code

BT (Bottom Top) BF (Bottom Front)
FT (Front Top) FF (Front Front)

Output measured in accordance with EN 1397. Room temperature 20°C heating, 27°C cooling. For outputs at different conditions please contact Jaga UK.
Sound pressure calculated based on sound power measurements in accordance with ISO 3741:2010 and on an assumed room dampening of 8dB(A). In water content data H=heating circuit and C=cooling circuit.

PERFORMANCE - BRIZA 22

BABW/BABC CONCEALED WALL AND CEILING (WITHOUT CASING)

HEIGHT 550 – 2-PIPE

L mm	CONTROL VOLTAGE V	HEATING			TOTAL COOLING	SENSIBLE COOLING	LIGHT COOLING	SOUND PRESSURE* dB(A)	AIR FLOW m³/h	POWER CONSUMPTION Watts	WEIGHT kg	WATER CONTENT l	ORDER CODE
		75/65 Watts	55/45 Watts	45/35 Watts	7/12 Watts	7/12 Watts	16/18 Watts						
550	2	2213	1305	852	939	677	390	26	134	3.7	17	1.23	BABW.055 055 22./BT/20
	4	3924	2315	1512	1685	1214	674	35	254	8.7			
	6	5122	3022	1973	2256	1626	866	43	355	17.2			
	8	6255	3690	2409	2749	1981	1061	47	450	31.1			
	10	6909	4076	2661	2991	2155	1185	51	500	41.1			
750	2	3010	1814	1204	1445	1041	508	21	178	3.7	21.3	1.77	BABW.055 075 22./BT/20
	4	5307	3197	2124	2475	1784	870	30	327	8.8			
	6	7026	4233	2811	3258	2348	1146	39	456	17.7			
	8	8409	5067	3365	3901	2811	1372	45	579	31.9			
	10	9370	5646	3749	4358	3141	1533	49	681	46.4			
950	2	4049	2377	1546	1882	1356	747	22	247	3.9	27	2.23	BABW.055 095 22./BT/20
	4	6960	4086	2657	3189	2298	1266	30	413	9.9			
	6	9281	5448	3543	4221	3042	1675	37	565	20.6			
	8	11143	6541	4254	5040	3632	2000	43	707	35.9			
	10	12305	7223	4698	5543	3995	2200	47	809	51.2			
1250	2	5366	3211	2121	2172	1565	787	28	334	7.2	35.5	3.14	BABW.055 125 22./BT/20
	4	9224	5520	3647	3771	2718	1367	36	614	17.5			
	6	11998	7181	4743	4999	3603	1812	43	840	35.7			
	8	14548	8706	5751	6209	4475	2251	49	1072	62.8			
	10	16076	9621	6355	6985	5034	2533	53	1226	88.5			
1550	2	4889	2946	1956	2420	1393	680	25	392	7.2	44	4.05	BABW.055 155 22./BT/20
	4	9374	5648	3751	4358	2978	1453	34	706	17.8			
	6	13215	7962	5288	6048	4325	2110	41	990	37.1			
	8	16591	9996	6639	7562	5499	2683	47	1252	65.8			
	10	18859	11363	7547	8596	6282	3065	51	1436	95			
1900	2	8732	5258	3490	4084	2943	1422	32	549	11.1	56	4.46	BABW.055 190 22./BT/20
	4	15015	9040	6000	7003	5047	2476	39	972	25.9			
	6	20246	12190	8091	9411	6782	3341	47	1347	52.8			
	8	24904	14994	9953	11533	8312	4101	52	1700	93			
	10	27688	16670	11065	12790	9218	4549	55	1922	131.5			

BABW (concealed wall)
BABC (concealed ceiling)
BT (Bottom Top) BF (Bottom Front)
FT (Front Top) FF (Front Front)

Output measured in accordance with EN 1397. Room temperature 20°C heating, 27°C cooling. For outputs at different conditions please contact Jaga UK.
Sound pressure calculated based on sound power measurements in accordance with ISO 3741:2010 and on an assumed room dampening of 8dB(A)

PERFORMANCE - BRIZA 22

BABW/BABC CONCEALED WALL AND CEILING (WITHOUT CASING)

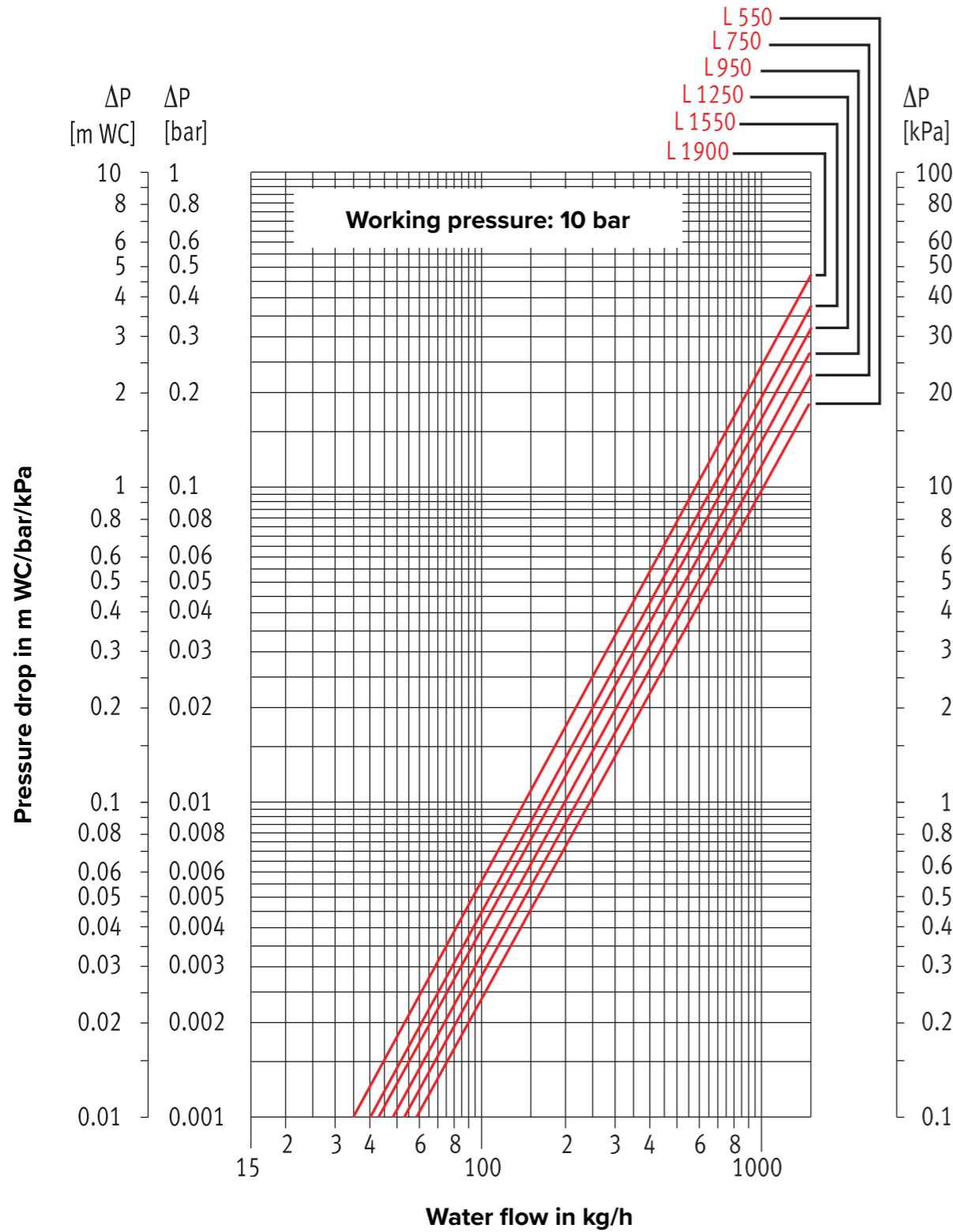
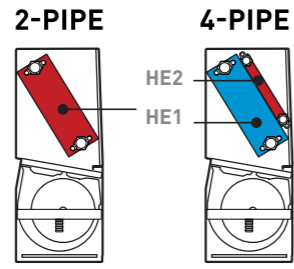
HEIGHT 550 – 4-PIPE

L mm	CONTROL VOLTAGE V	HEATING			TOTAL COOLING	SENSIBLE COOLING	LIGHT COOLING	SOUND PRESSURE* dB(A)	AIR FLOW m³/h	POWER CONSUMPTION Watts	WEIGHT kg	WATER CONTENT l	ORDER CODE
		75/65 Watts	55/45 Watts	45/35 Watts	7/12 Watts	7/12 Watts	16/18 Watts						
550	2	1367	761	475	939	677	390	26	134	3.7	18	H: 0.31 C: 1.23	BABW.055 055 22./BT/4/20
	4	1881	1047	653	1685	1214	674	35	254	8.7			
	6	2279	1269	791	2256	1626	866	43	355	17.2			
	8	2550	1420	885	2749	1981	1061	47	450	31.1			
	10	2726	1518	946	2991	2155	1185	51	500	41.1			
750	2	1908	1063	663	1445	1041	508	21	178	3.7	22.6	H: 0.42 C: 1.77	BABW.055 075 22./BT/4/20
	4	2653	1478	922	2475	1784	870	30	327	8.8			
	6	3174	1768	1102	3258	2348	1146	39	456	17.7			
	8	3556	1981	1235	3901	2811	1372	45	579	31.9			
	10	3790	2112	1316	4358	3141	1533	49	681	46.4			
950	2	2484	1377	855	1882	1356	747	22	247	3.9	28.5	H: 0.53 C: 2.23	BABW.055 095 22./BT/4/20
	4	3404	1887	1172	3189	2298	1266	30	413	9.9			
	6	4077	2260	1403	4221	3042	1675	37	565	20.6			
	8	4558	2527	1569	5040	3632	2000	43	707	35.9			
	10	4817	2670	1658	5543	3995	2200	47	809	51.2			
1250	2	3848	2174	1371	2172	1565	787	28	334	7.2	37.5	H: 0.69 C: 3.14	BABW.055 125 22./BT/4/20
	4	5357	3027	1909	3771	2718	1367	36	614	17.5			
	6	6373	3601	2271	4999	3603	1812	43	840	35.7			
	8	7233	4087	2577	6209	4475	2251	49	1072	62.8			
	10	7703	4353	2745	6985	5034	2533	53	1226	88.5			
1550	2	3691	2102	1334	2420	1744	680	25	392	7.2	46.4	H: 0.85 C: 4.05	BABW.055 155 22./BT/4/20
	4	5789	3297	2092	4358	3140	1453	34	706	17.8			
	6	7443	4238	2689	6048	4359	2110	41	990	37.1			
	8	8770	4994	3168	7562	5450	2683	47	1252	65.8			
	10	9585	5457	3463	8596	6195	3065	51	1436	95			
1900	2	6133	3486	2209	4084	2943	1422	31.5	549	11.1	57	H: 1.06 C: 4.46	BABW.055 190 22./BT/4/20
	4	9119	5184	3285	7003	5047	2476	39	972	25.9			
	6	11328	6439	4080	9411	6782	3341	46.5	1347	52.8			
	8	13038	7411	4696	11533	8312	4101	52	1700	93			
	10	13927	7916	5016	12790	9218	4549	55	1922	131.5			

BABW (concealed wall)
BABC (concealed ceiling)
BT (Bottom Top) BF (Bottom Front)
FT (Front Top) FF (Front Front)

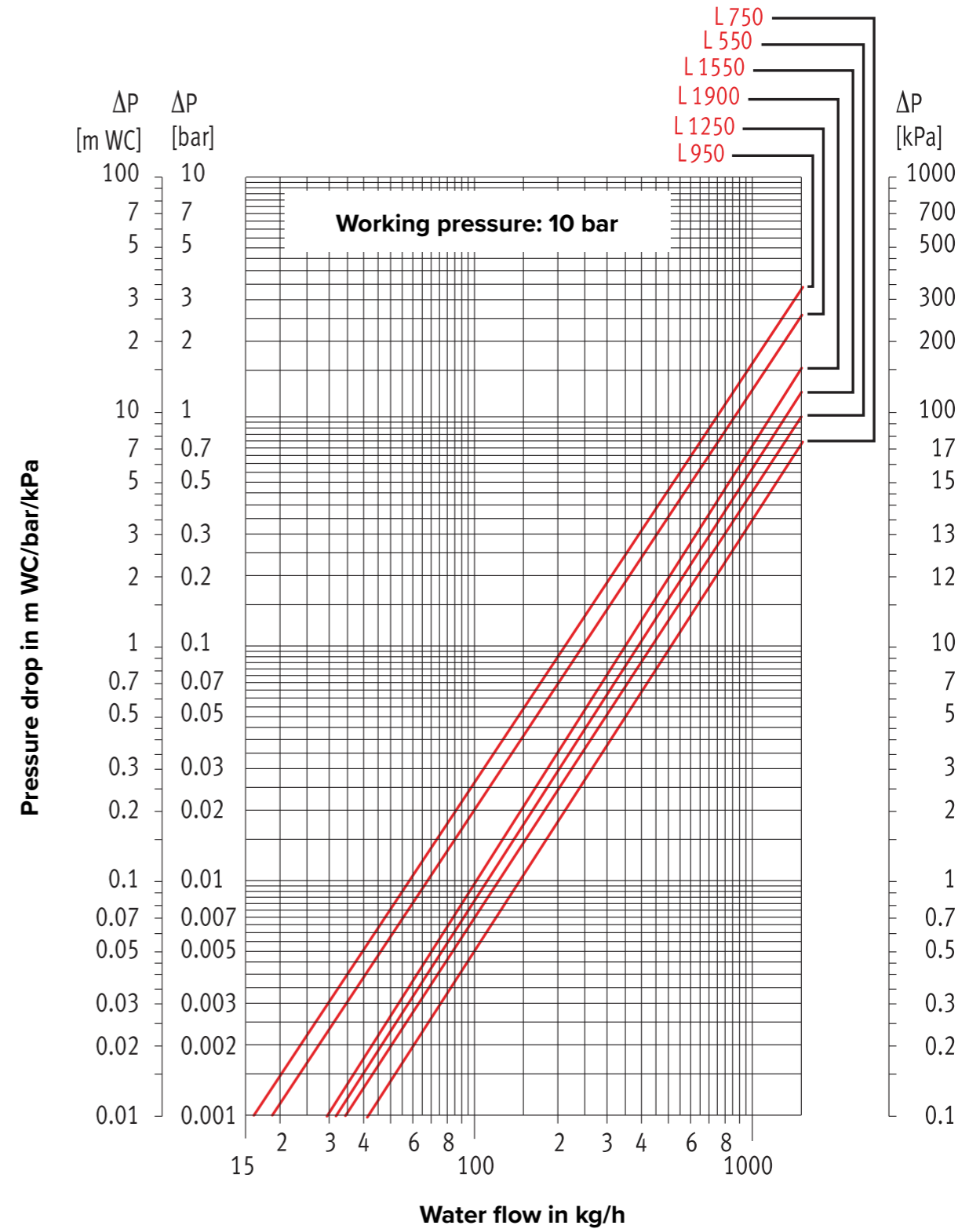
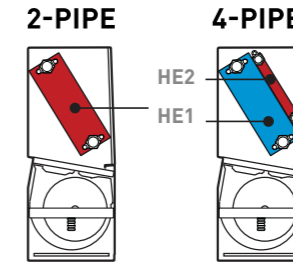
Output measured in accordance with EN 1397. Room temperature 20°C heating, 27°C cooling. For outputs at different conditions please contact Jaga UK.
Sound pressure calculated based on sound power measurements in accordance with ISO 3741:2010 and on an assumed room dampening of 8dB(A). In water content data H=heating circuit and C=cooling circuit.

PRESSURE DROP HEAT EXCHANGER 1 - BRIZA 22



• Lengths based on concealed wall and ceiling

PRESSURE DROP HEAT EXCHANGER 2 - BRIZA 22



• Lengths based on concealed wall and ceiling

TECHNICAL DATA - BRIZA 22

DESCRIPTION	UNIT	BRIZA MODEL RANGE BASED ON CONCEALED WALL AND CEILING						
		230-1-50	230-1-50	230-1-50	230-1-50	230-1-50	230-1-50	
LENGTH	mm	550	750	950	1250	1550	1900	
HEIGHT	mm	545	545	545	545	545	545	
DEPTH	mm	220	220	220	220	220	220	
WEIGHT	kg	17	21.5	27	35.5	44	56	
POWER SUPPLY	V-PH-Hz	230-1-50	230-1-50	230-1-50	230-1-50	230-1-50	230-1-50	
CONNECTION HEAT EXCHANGER 1	inch	¾G(F)	¾G(F)	¾G(F)	¾G(F)	¾G(F)	¾G(F)	
CONNECTION HEAT EXCHANGER 2	inch	½G(F)	½G(F)	½G(F)	½G(F)	½G(F)	½G(F)	
CONNECTION CONDENSATE DRAIN	mm	20	20	20	20	20	20	
HEAT EXCHANGER ROWS (STANDARD HEAT EXCHANGER)	number	4	4	4	4	4	4	
WATER CONTENT HEAT EXCHANGER 1	litres	1.23	1.77	2.23	3.14	4.05	4.46	
WATER CONTENT HEAT EXCHANGER 2	litres	0.31	0.42	0.53	0.69	0.85	1.06	
FANS	number	1	2	2	3	4	5	
POWER CONSUMPTION	Watts	2VDC	3.7	3.6	4	9	6.3	11.1
		4VDC	8	8.5	10	18	15	25.9
		6VDC	17	18	20	34	35	52.8
		8VDC	29	31	36	59	64	93
		10VDC	42	45	50	79	86	131.5
ELECTRICAL CURRENT	Amps	2VDC	0.36	0.41	0.44	0.64	0.73	1
		4VDC	0.26	0.29	0.33	0.48	0.55	0.77
		6VDC	0.16	0.17	0.19	0.31	0.31	0.47
		8VDC	0.09	0.09	0.1	0.19	0.15	0.26
		10VDC	0.06	0.05	0.05	0.12	0.08	0.15
AIRFLOW AGAINST STATIC PRESSURE AT 10 VOLT SPEED	m3/h	0 Pa	485	595	764	1104	1266	1922
		10 Pa	450	550	690	1005	1155	1780
		20 Pa	425	520	640	950	1075	1630
		30 Pa	400	480	590	890	995	1478
		40 Pa	380	450	550	830	915	1327
		50 Pa	350	410	495	770	830	1179
		60 Pa	330	375	440	1031	755	705
		70 Pa	300	335	385	635	675	882
		80 Pa	265	290	335	555	585	727
		90 Pa	240	240	275	475	480	559
		100 Pa	200	195	220	380	375	369
110 Pa	170	140	150	305	275	147		
120 Pa	140	85	90	220	160	-		
SPECIFIC FAN POWER WITH G2 FILTER AT 10 VOLT SPEED	W/l/s	0Pa	0.315	0.272	0.235	0.257	0.244	0.245
		30Pa	0.28	0.268	0.24	0.27	0.241	0.320

Note: full performance fan curves available on request

BRIZA 22 HP

Where high airflow or increased static pressure is required, Briza 22 HP is the engineered solution. Designed to offer powerful and quiet performance to suit the most complex ducted air movement systems. For further information please contact Jaga's technical department.

CONTROL PACKAGES - BRIZA 22

SILVER PACKAGE

For simple three speed control for heating and cooling, choose our silver option. The push button control is factory fitted, positioned on the air discharge louvre.

Lockshield valves are supplied separately.

Order code (2-pipe)

BRE.CPSILV.UK/2P

Order code (4-pipe)

BRE.CPSILV.UK/4P



• Factory fitted components:

- 3 speed manual control unit
- 230Vac to 24Vdc control power supply
- Motorised valve
- Complete with lockshield valves
- Heating and cooling
- Suitable for wall mounted cased units
- 2 and 4-pipe coils
- Three fan speed operation

GOLD PACKAGE

The gold package incorporates a remote wall-mounted control unit that offers full functionality and programmability.

All control components are supplied separately for onsite installation.

Suitable for cased and concealed units.

Order code (2-pipe)

BRE.CPGOLD.UK/2P

Order code (4-pipe)

BRE.CPGOLD.UK/4P



- Wall mounted digital control
- 230Vac to 24Vdc control power supply
- Motorised valve
- Heating and cooling
- Suitable for cased and uncased units
- 2 and 4-pipe coils
- Variable fan speed operation

PLATINUM PACKAGE

Our flagship control package with all control components factory fitted for a plug and play experience. Incorporating a fully programmable touchscreen control, with Wi-Fi and App capability.

Suitable for wall-mounted cased units only.

Order code (2-pipe)

BRE.CPPLAT.UK/2P

Order code (4-pipe)

BRE.CPPLAT.UK/4P



- Integrated digital touchscreen control
- 230Vac to 24Vdc control power supply
- Motorised valve
- Heating and cooling
- Suitable for wall mounted unit with casing only
- 2 and 4-pipe coils
- Variable fan speed operation

For concealed and ceiling-mounted units all components are supplied separately for onsite installation.



Order code (2-pipe)
BRE.CPPLAT.UK/2P/CC
Order code (4-pipe)
BRE.CPPLAT.UK/4P/CC

BMS PACKAGE - JFCC

Jaga fan coil controller increases the functionalities of the Jaga products. The JFCC is available for all Jaga Briza 22 devices. The controller is delivered pre-set and mounted in the unit. The device is controlled by the home automation system or BMS.

Order code (Heating 2-pipe)

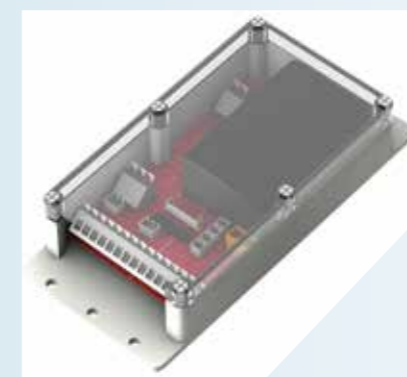
FCC.BR712

Order code (Heating/Cooling 2-pipe)

FCC.BR722

Order code (Heating/Cooling 4-pipe)

FCC.BR724

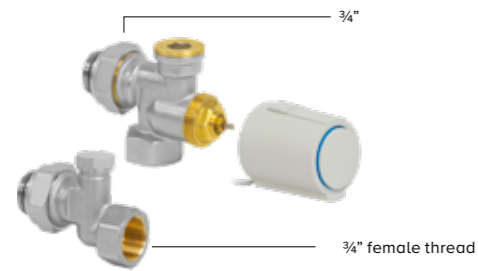


CONTROL VIA BMS OR EXTERNAL THERMOSTAT

- For 2-pipe or 4-pipe
- One controller per appliance
- With water temperature sensor
- Power supply 230Vac
- With key card/window contact
- Heating and cooling
- Heating: configured at water temperature >28°C, can easily be modified
- Cooling: configured at water temperature <18°C, can easily be modified
- 0-10V input for building management system/thermostats

OPTIONAL EXTRAS - BRIZA 22

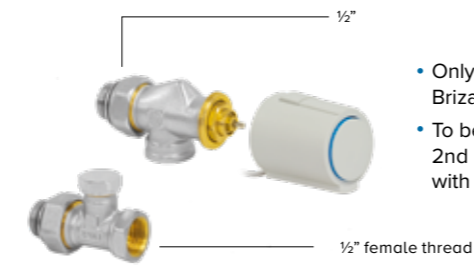
3/4" CONNECTION SET 2-PIPE



- Thermolectric motor 24 VDC or 230 VAC
- Valve 3/4" x 3/4"
- Lockshield 3/4" x 3/4"

set 301	Kv max. 0.8-2.5
TWO PIPE	
CODY.WA5.24.0	24 VDC
CODY.WA5.23.0	230 VAC

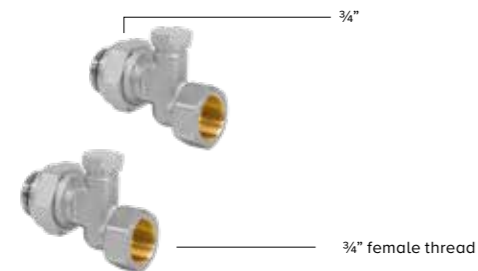
1/2" CONNECTION SET 4 PIPE



- Only to be used with Briza 22 4-pipe
- To be mounted on the 2nd heat exchanger with 1/2" connections
- Thermolectric motor 24 VDC or 230 VAC
- Valve G1/2" x 1/2" 90°
- Lockshield G1/2" x 1/2" 180°

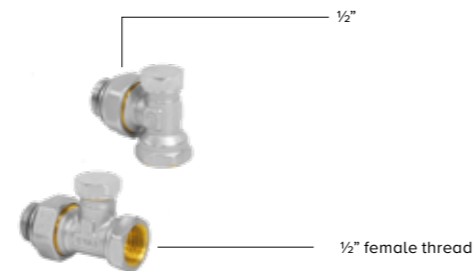
set 98	Kv 1.0 - without pre-setting
TWO PIPE	
CODY.WA4.24.0	24 VDC
CODY.WA4.23.0	230 VAC

3/4" LOCKSHIELD VALVE SET



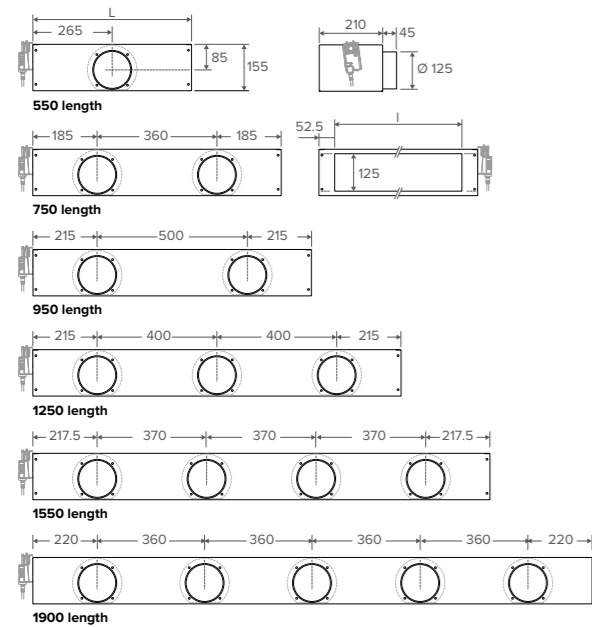
set 302	
CODY.L05.00.0	

1/2" LOCKSHIELD VALVE SET



set 99	
CODY.L0M.00.2	

MOTORISED AIR MIXING BOX

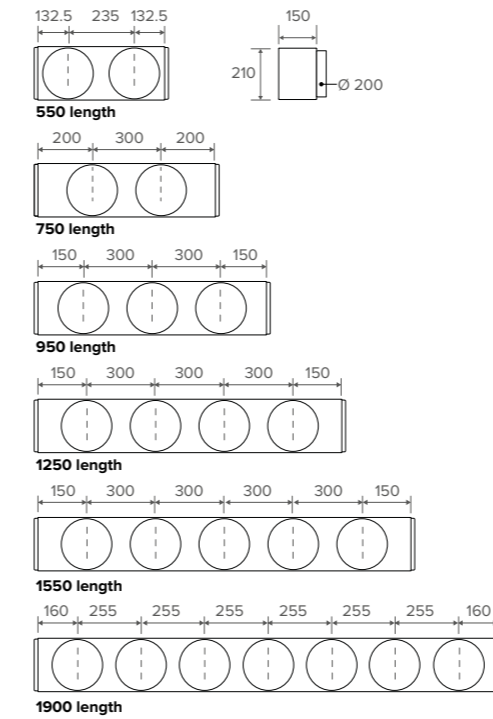


MODEL	L (mm)	l (mm)	CODE
550	530	425	8763.0301
750	730	625	8763.0302
950	930	825	8763.0303
1250	1230	1125	8763.0304
1550	1530	1425	8763.0305
1900	1880	1775	8763.0306

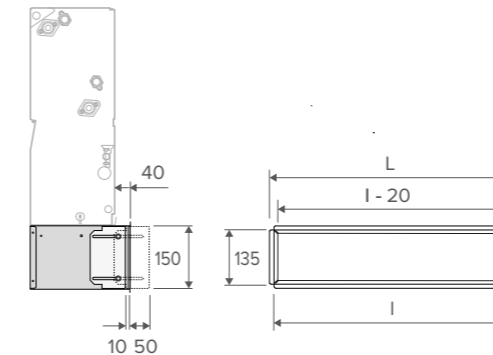


- Motor input voltage dictating damper position for fresh/recirculated air

OUTLET AND INLET DUCT PLENUMS



90° INLET DUCT SECTION



MODEL	L (mm)	l (mm)	CODE
550	530	500	8787.0101
750	730	600	8787.0102
950	930	900	8787.0103
1250	1230	1200	8787.0104
1550	1530	1500	8787.0105
1900	1880	1850	8787.0106

- 90° inlet duct section in situ



OPTIONAL EXTRAS - BRIZA 22

AIR INLET PLENUM

- Connection Ø 200mm
- Galvanised steel plate

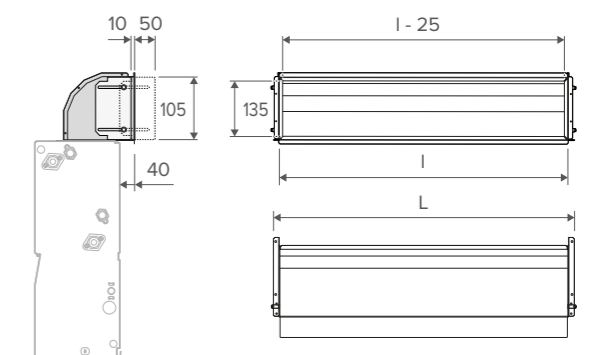
MODEL	# Connections	CODE
550	2	8764.0501
750	2	8764.0502
950	3	8764.0503
1250	4	8764.0504
1550	5	8764.0505
1900	7	8764.0506

AIR OUTLET PLENUM

- Connection Ø 200mm
- Acoustically and thermally insulated internal surfaces
- Galvanised steel plate

MODEL	# Connections	CODE
550	2	8764.0601
750	2	8764.0602
950	3	8764.0603
1250	4	8764.0604
1550	5	8764.0605
1900	7	8764.0606

90° OUTLET DUCT BEND



MODEL	L (mm)	l (mm)	CODE
550	530	500	8788.0101
750	730	600	8788.0102
950	930	900	8788.0103
1250	1230	1200	8788.0104
1550	1530	1500	8788.0105
1900	1880	1850	8788.0106

- 90° outlet duct bend in situ

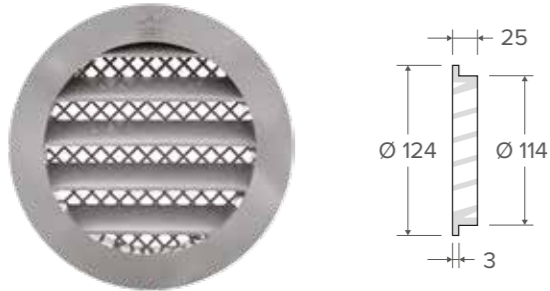


OPTIONAL EXTRAS - BRIZA 22

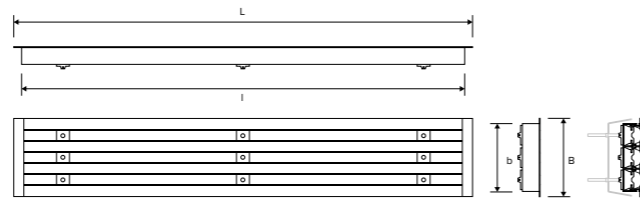
ALUMINIUM WALL GRILLE Ø 125mm

CODE
8776.1750

- Natural coloured aluminium external grille Ø 125mm
- With fine structured metal anti-vermin grille
- Protection against rain
- Other colours on demand (RAL)



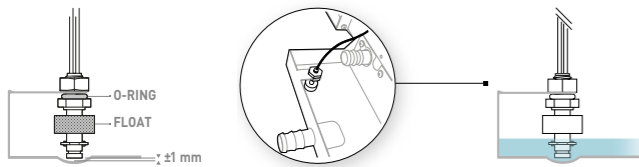
GRILLE WITH ADJUSTABLE LOUVRES



BRIZA (L)	FRAME EXTERNAL DIMENSIONS LENGTH (L)	FRAME EXTERNAL DIMENSIONS WIDTH (B)	FRAME INTERNAL DIMENSIONS LENGTH (l)	FRAME INTERNAL DIMENSIONS WIDTH (b)	ORDER CODE
550	510	150	470	135	8789.225
750	710	150	670	135	8789.226
950	910	150	870	135	8789.227
1250	1210	150	1170	135	8789.228
1550	1510	150	1470	135	8789.229
1900	1860	150	1820	135	8789.230

- Can be used in conjunction with 90° duct bends or connect to construction fascias
- For outlet and inlet air requirements
- Manufactured from extruded aluminium
- RAL 9003 white finish
- Black louvres

SENSOR FOR CONDENSATION COLLECTION TRAY

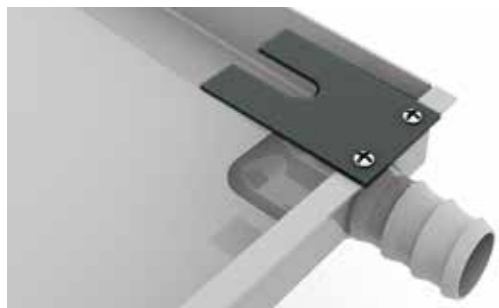


CODE
5127.00010003

Supplied to sense the level of the condensate in the tray. When activated it sends an electrical signal to a room thermostat, BMS, valve or alarm system.

- 10 Watt switching capability
- 80°C maximum temperature
- 100 VDC maximum switching voltage
- Maximum Specific Gravity 0.09

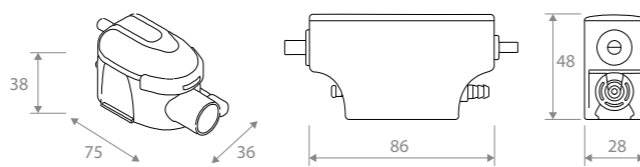
OPTIONAL MOUNTING BRACKET



CODE
8776.0701

- The mounting holes are pre-punched
- 2 rivets for mounting are supplied in the condensation tray
- Painted finish
- Thickness 1mm
- 2 rivets for mounting are supplied as standard
- Ceiling models only

CONDENSATE PUMP

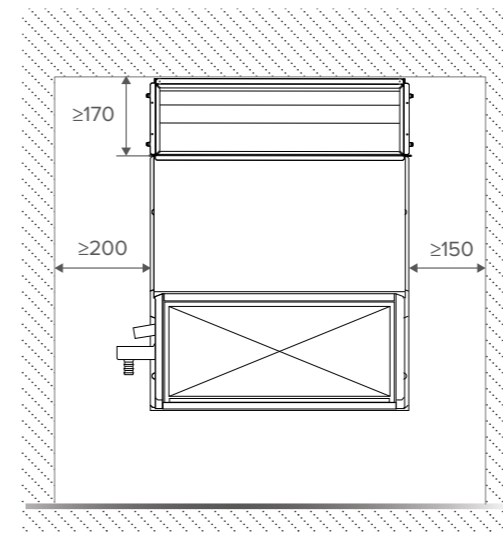
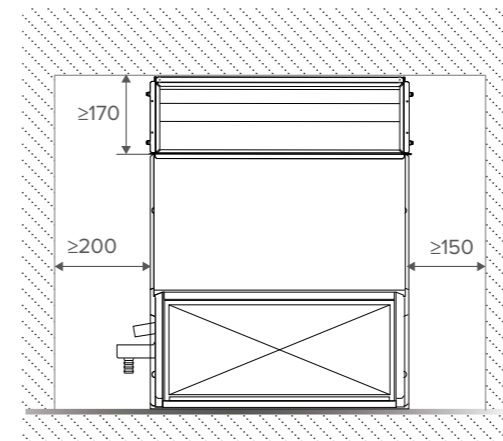


CODE
8773.0101

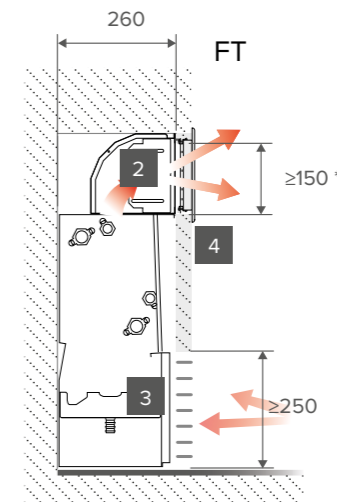
- Low noise
- Flow rate 1.5l/h
- Power 19W 220/240 VAC 50/60 Hz
- Noise level 19.7 dB(A)
- IP64 protection
- Suction head 2m
- Discharge maximum head 10m
- Cable length 1.6m



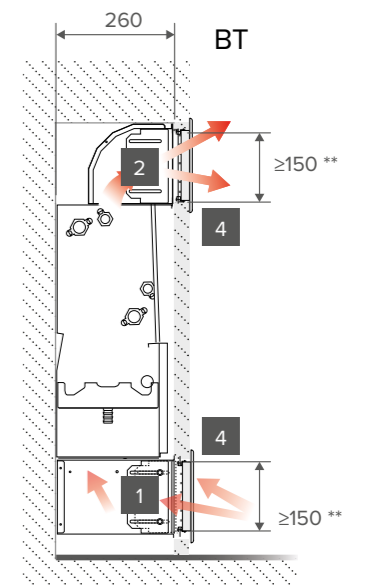
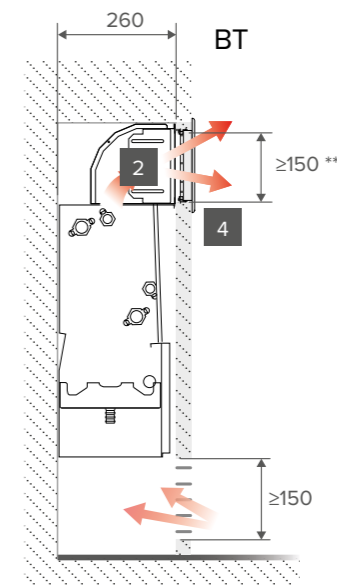
BABW CONCEALED WALL



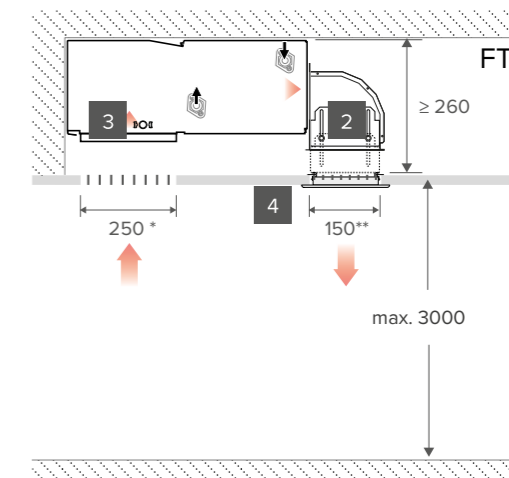
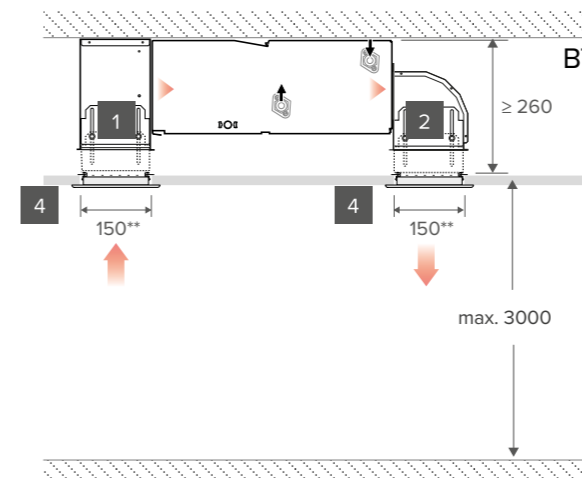
INSTALLATION GUIDE - BRIZA 22



- 1 90° inlet section, 50mm adjustment range
- 2 90° outlet bend, 50mm adjustment range
- 3 Front grille with filter
- 4 Grille with adjustable louvre



BABC CONCEALED CEILING



JAGA COLOURS

Jaga colours are divided into three colour groups:

“Subtle & discreet” includes a selection of neutral colours that discreetly blend our units into the interior.

“Colours of nature” is a collection of 16 colours containing bright, variegated, greyish and pastel shades. From soft natural colours to dark chic. For the bold.

“Precious metals” includes metal lookalikes, in harmony with trends in the world of taps, lighting and bathroom accessories.

Jaga has environmentally-friendly electrostatic powder coating lines. Excess powder is recuperated and no solvents are used during this process.

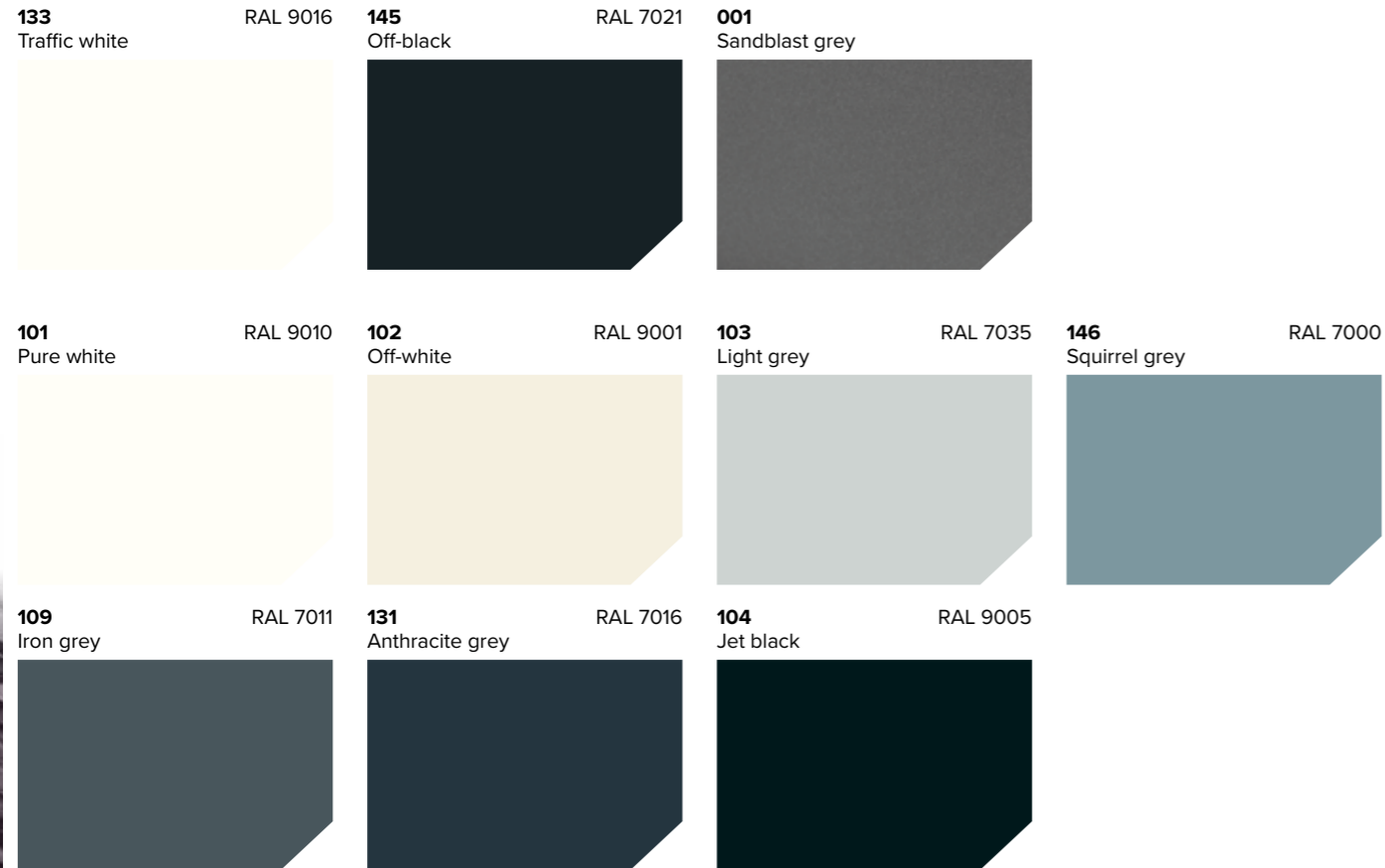
After having been thoroughly pretreated, the units are powder coated and baked. This ensures that the unit is both UV and scratch resistant.

What does the first digit of the colour code stand for?

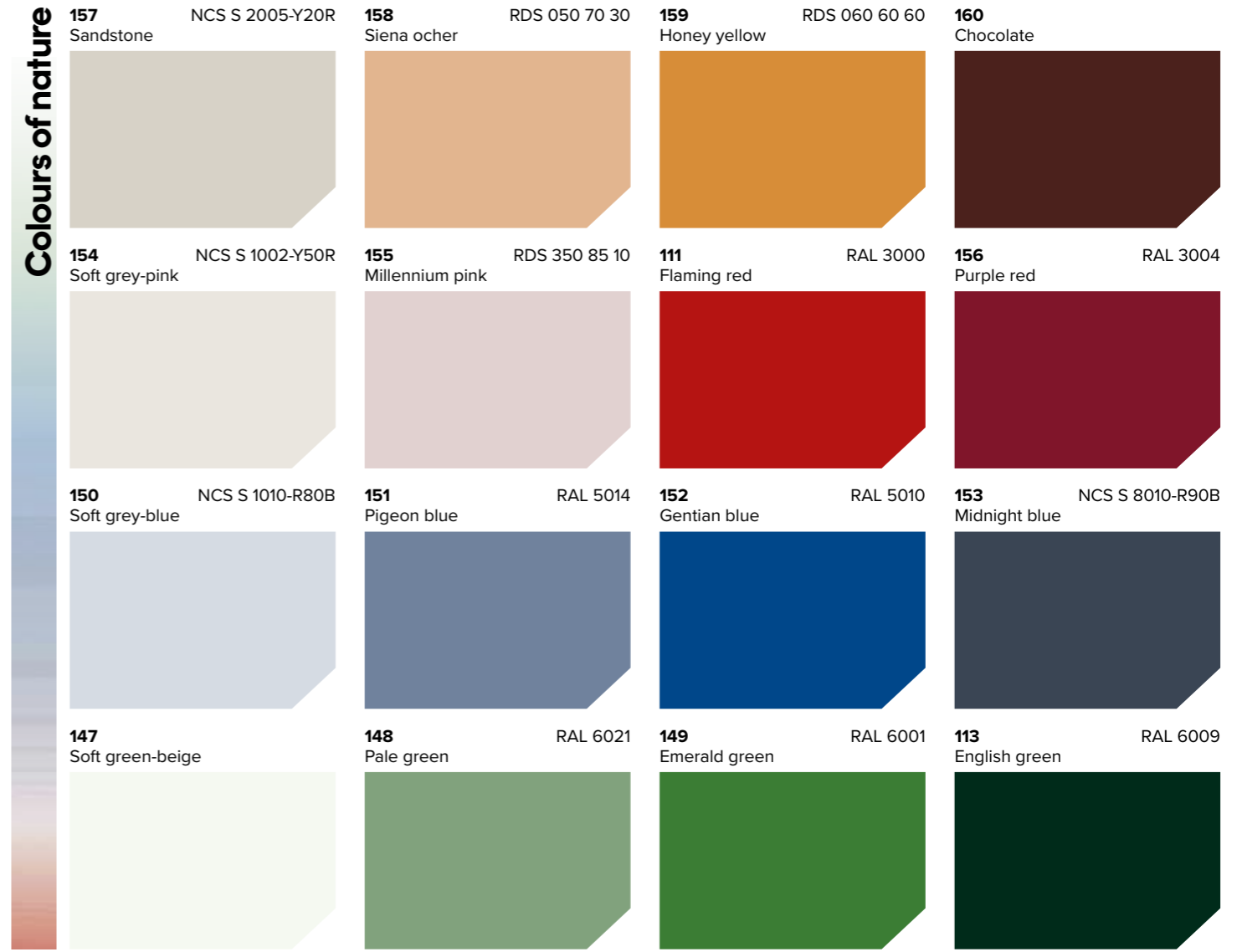
Code 1xx Soft touch: finely-textured matte look, gloss degree < 10%

Code 0xx Metal lookalikes: the finish and the degree of gloss simulate the imitated material

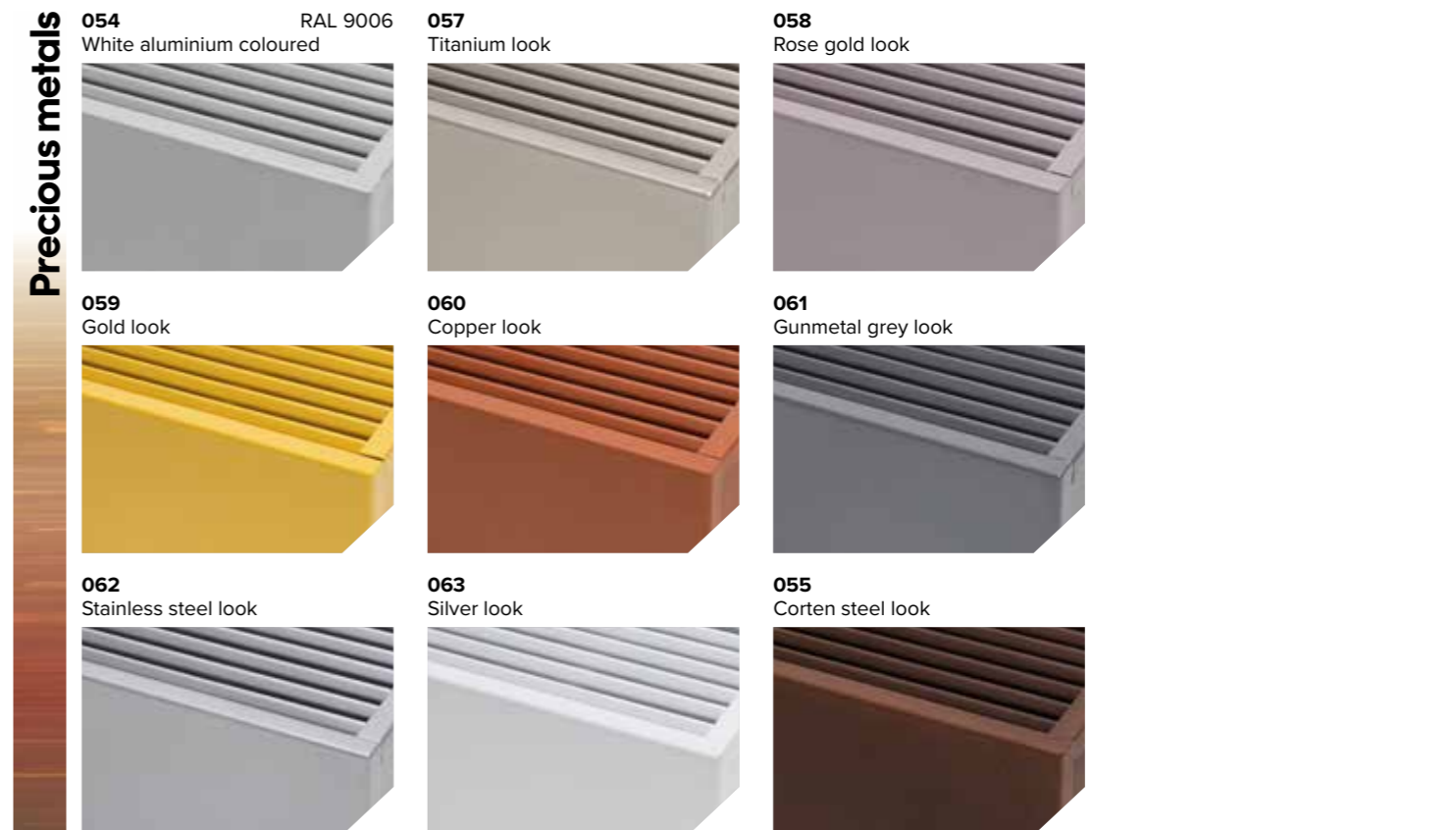
Standard colours



Subtle & discreet



Colours of nature



Precious metals



This colour chart is only indicative. It's impossible to obtain a 100% exact colour reproduction in printing. A colour chart can be obtained on request. The rendering of "055 Corten steel look" gives an impression of the end result. Due to the uniqueness of the surface, the lacquer, and the applied techniques, each device will be unique.

NOTES

My Jaga contact: _____

Mobile: _____ Email: _____

CONVERSION FACTORS

Unit	Imperial	SI
Length	1 in	25.4 mm
	1 ft	0.3048 m
	3.28 ft	1 m
Area	1 in ²	645.2 mm ²
	1 ft ²	0.093 m ²
	10.77 ft ²	1 m ²
Volume	1 in ³	16.39 cm ³
	1 ft ³	28.32 litres
	35.32 ft ³	1 m ³
Mass	1 lb	0.4536 kg
	2.205 lb	1 kg
Volume flow rate	1 gall/min	0.076 litres/s
	1 ft ³ /min	0.472 litres/s
Velocity	1 ft/min	0.0051 m/s
	197 ft/min	1.0 m/s
Energy	1 Btu	1.055 kJ
	100,000 Btu	105.5 MJ
Heat power	1 Btu/hr	0.2931 W

PRESSURE CONVERSION FACTORS

Units	bar	mbar	Pa	kPa	In. H ₂ O	mm H ₂ O	lb/in ² (PSI)
bar	1	1000	100,000	100	401	10,200	14.5
mbar	0.001	1	100	0.1	0.401	10.2	0.0145
Pa	0.00001	0.01	1	0.001	0.00401	0.102	0.000145
kPa	0.01	10	1000	1	4.01	102	0.145
In. H ₂ O	0.0025	2.49	249	0.249	1	25.4	0.0361
mm H ₂ O	0.0000981	0.0981	9.81	0.00981	0.0394	1	0.00142
lb/in ² (PSI)	0.0689	68.9	0.00689	6.89	2.77	703	1

CALCULATE FLOW RATE

$$\frac{\text{corrected output [watts]} \times 3600}{\text{specific heat capacity [J/kg} \cdot \text{°C]} \times [\text{flow temp minus return temp}]}$$

- specific heat capacity of water = 4187
- assume emitter with 1000 Watt output
- flow 70°C, return 50°C

$$\frac{1000 \times 3600}{4187 \times [70-50]} = 42.99 \text{ kg/hr mass flow}$$





jaga

CLIMATE DESIGNERS

☎ +44 1531 631 533

✉ jaga@jaga.co.uk

🌐 www.jaga.co.uk

📍 **JAGA UK**

Jaga House, Orchard Business Park,
Bromyard Road, Ledbury,
Herefordshire HR8 1LG

Jaga reserves the right to change product specification at any time in line with our policy of continuous improvement and innovation.

BRIZA1123 - JAGA UK