

# jaga

CLIMATE DESIGNERS



## TEMPO



EXPORT@JAGA.BE +32 (0) 11 29 41 12

## DBH UPGRADE SET

Do you own a Tempo and would you like to upgrade it for an improved low temperature output, and/or do you want Light Cooling? Then take a look in our brochure at the DBH Upgrade Set.

### BEFORE

Heating only



Tempo H50 L100 Type 11



### AFTER

Heating



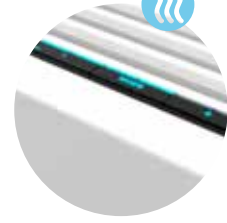
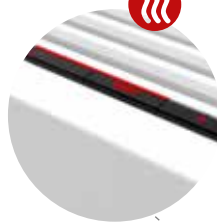
+

Breeze



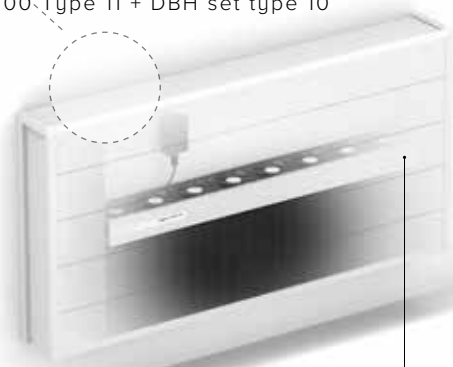
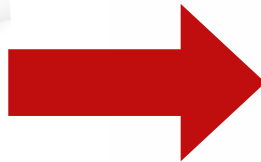
+

Cooling



Light cooling for all heat pumps with cooling function

Tempo H50 L100 Type 11 + DBH set type 10



Click-on fan units

# TEMPO

|   |           |
|---|-----------|
| <b>CONTENT</b>  | <b>3</b>  |
| <b>TECHNICAL INFORMATION</b>                            | <b>5</b>  |
| <b>Dimensions</b>                                       | <b>5</b>  |
| <b>Hydronic connection</b>                              | <b>6</b>  |
| Connection left or right with controls below (Standard) | 6         |
| Connection left or right with controls above            | 6         |
| Connection left or right with remote control            | 6         |
| <b>Most used connection sets</b>                        | <b>7</b>  |
| <b>Technical table</b>                                  | <b>9</b>  |
| Height 020  | 9         |
| Height 030  | 10        |
| Height 040  | 12        |
| Height 050  | 14        |
| Height 060  | 16        |
| Height 070  | 18        |
| Height 090  | 20        |
| <b>Parts</b>  | <b>22</b> |
| <b>Correction factors</b>                               | <b>24</b> |
| <b>Pressure drop</b>                                    | <b>25</b> |
| Type 10   | 25        |
| Type 11   | 26        |
| Type 15   | 27        |
| Type 16   | 28        |
| Type 20   | 29        |
| Type 21   | 30        |



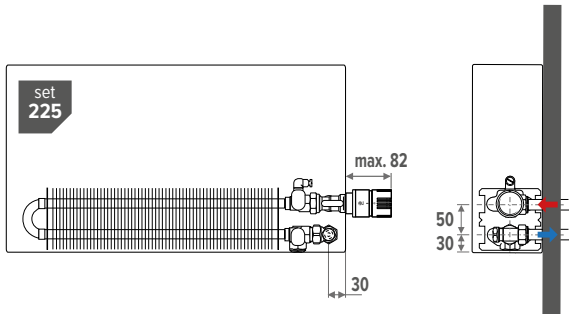


## STANDARD: CONNECTION LEFT OR RIGHT WITH CONTROLS BELOW

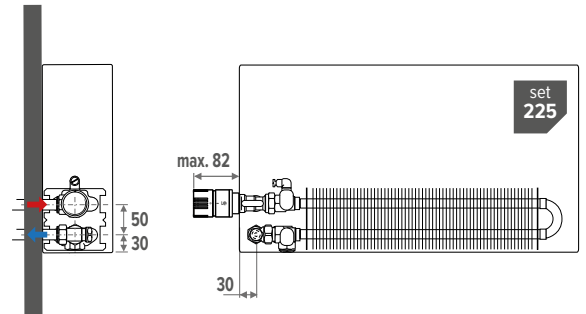
Left or right downwards, to the wall or to the floor. Wall connection from the underside of the panelling or completely concealed within the panelling. The installer can rotate the heat exchanger to accommodate a left or right-side connection.

Compatible Eurocone connection sets: 101, 102, 103, 104, 181, 182, 183, 184, 222, 225, 226, 282, 285  
Compatible M24 connection sets: 11, 12, 13, 14, 25

### Example of connection to the right (standard)



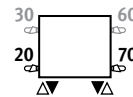
### Example of connection to the left



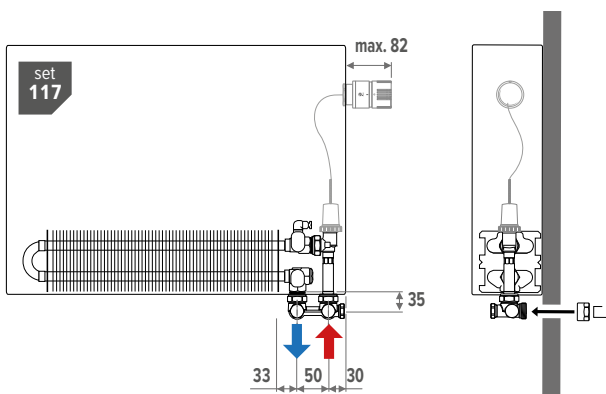
## CONNECTION LEFT OR RIGHT WITH CONTROLS ABOVE

Complete the radiator code with 30 (left) or 60 (right). EX. TEMW.020 050 10 xxx 60

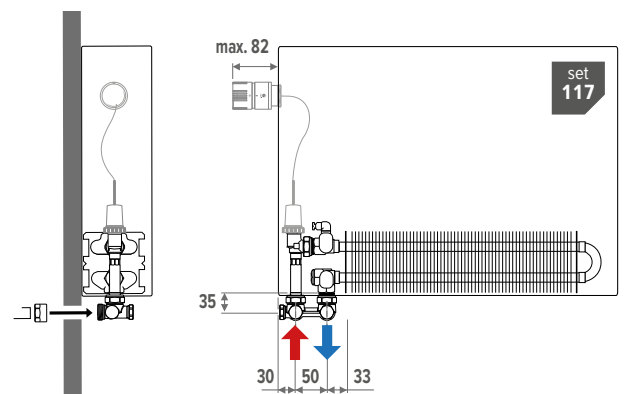
Compatible Eurocone connection sets: 115, 116, 117, 118



### Example of connection to the right (standard)



### Example of connection to the left



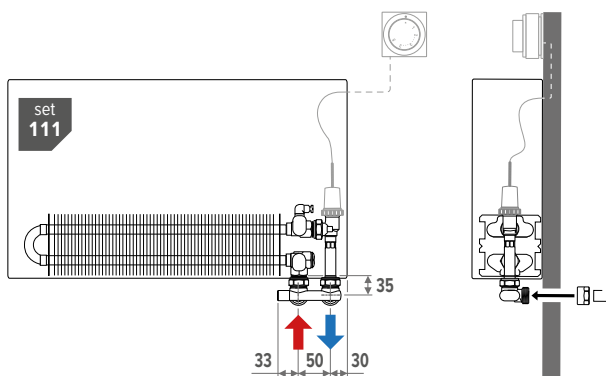
## CONNECTION LEFT OR RIGHT WITH REMOTE CONTROL

Complete the radiator code with 00 (closed sides). EX. TEMW.020 050 10 xxx 00

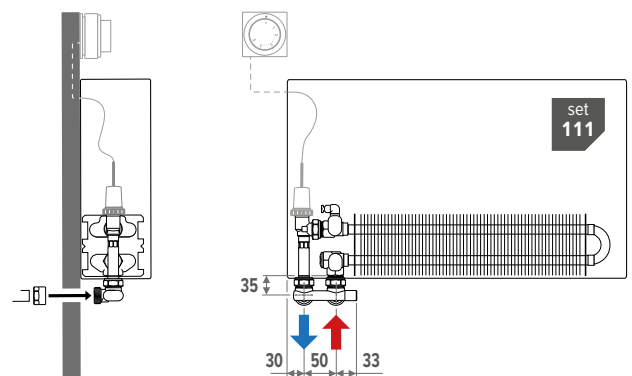
Compatible Eurocone connection sets: 111, 112, 113, 114

Compatible M24 connection sets: 28, 29

### Example of connection to the right (standard)



### Example of connection to the left



# TEMPO

For extensive information on valves, see the brochure "Connection sets & Valves"

# MOST USED CONNECTION SETS

## To the wall - FLOW ON THE OUTSIDE

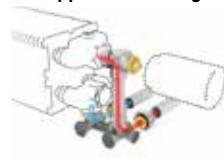
### With Jaga H-valve



|                   |                 |                            |  |
|-------------------|-----------------|----------------------------|--|
| <b>set 103</b>    | <b>KVS: 0.8</b> | <b>TWO PIPE / ONE PIPE</b> |  |
| COLO HBSW AC 4... | AC              |                            |  |
| COLO HBSW AW 4... | AW              |                            |  |
| COLO HBSW AS 4... | AS              |                            |  |
| COLO HBSW AB 4... | AB              |                            |  |
| COLO HBSW JH 4... | JH              |                            |  |

fill in sleeve coupling code

### With Gampper Vario DP Dynamic valve

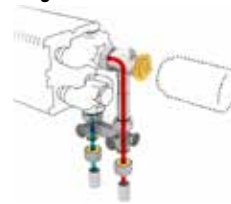


|                   |                                       |                 |  |
|-------------------|---------------------------------------|-----------------|--|
| <b>set 183</b>    | automatic flow limiter (20 - 340 l/h) | <b>TWO PIPE</b> |  |
| COLO GASW AC 4... | AC                                    |                 |  |
| COLO GASW AW 4... | AW                                    |                 |  |
| COLO GASW AS 4... | AS                                    |                 |  |
| COLO GASW AB 4... | AB                                    |                 |  |
| COLO GASW JH 4... | JH                                    |                 |  |

fill in sleeve coupling code

## To the floor - FLOW ON THE OUTSIDE

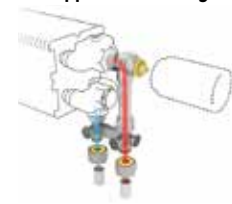
### With Jaga H-valve



|                   |                 |                            |  |
|-------------------|-----------------|----------------------------|--|
| <b>set 104</b>    | <b>KVS: 0.8</b> | <b>TWO PIPE / ONE PIPE</b> |  |
| COLO HBSF AC 4... | AC              |                            |  |
| COLO HBSF AW 4... | AW              |                            |  |
| COLO HBSF AS 4... | AS              |                            |  |
| COLO HBSF AB 4... | AB              |                            |  |
| COLO HBSF JH 4... | JH              |                            |  |

fill in sleeve coupling code

### With Gampper Vario DP Dynamic valve



|                   |                                       |                 |  |
|-------------------|---------------------------------------|-----------------|--|
| <b>set 184</b>    | automatic flow limiter (20 - 340 l/h) | <b>TWO PIPE</b> |  |
| COLO GASF AC 4... | AC                                    |                 |  |
| COLO GASF AW 4... | AW                                    |                 |  |
| COLO GASF AS 4... | AS                                    |                 |  |
| COLO GASF AB 4... | AB                                    |                 |  |
| COLO GASF JH 4... | JH                                    |                 |  |

fill in sleeve coupling code

## To the wall - FLOW ON THE INSIDE

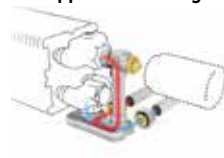
### With Jaga Crossflow valve



|                   |                 |                 |  |
|-------------------|-----------------|-----------------|--|
| <b>set 101</b>    | <b>KVS: 0.8</b> | <b>TWO PIPE</b> |  |
| COLO HBCW AC 4... | AC              |                 |  |
| COLO HBCW AW 4... | AW              |                 |  |
| COLO HBCW AS 4... | AS              |                 |  |
| COLO HBCW AB 4... | AB              |                 |  |
| COLO HBCW JH 4... | JH              |                 |  |

fill in sleeve coupling code

### With Gampper Vario DP Dynamic valve

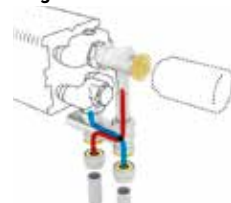


|                   |                                       |                 |  |
|-------------------|---------------------------------------|-----------------|--|
| <b>set 181</b>    | automatic flow limiter (20 - 340 l/h) | <b>TWO PIPE</b> |  |
| COLO GACW AC 4... | AC                                    |                 |  |
| COLO GACW AW 4... | AW                                    |                 |  |
| COLO GACW AS 4... | AS                                    |                 |  |
| COLO GACW AB 4... | AB                                    |                 |  |
| COLO GACW JH 4... | JH                                    |                 |  |

fill in sleeve coupling code

## To the floor - FLOW ON THE INSIDE

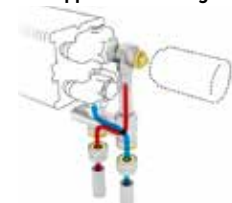
### With Jaga Crossflow valve



|                   |                 |                 |  |
|-------------------|-----------------|-----------------|--|
| <b>set 102</b>    | <b>KVS: 0.8</b> | <b>TWO PIPE</b> |  |
| COLO HBCF AC 4... | AC              |                 |  |
| COLO HBCF AW 4... | AW              |                 |  |
| COLO HBCF AS 4... | AS              |                 |  |
| COLO HBCF AB 4... | AB              |                 |  |
| COLO HBCF JH 4... | JH              |                 |  |

fill in sleeve coupling code

### With Gampper Vario DP Dynamic valve



|                   |                                       |                 |  |
|-------------------|---------------------------------------|-----------------|--|
| <b>set 182</b>    | automatic flow limiter (20 - 340 l/h) | <b>TWO PIPE</b> |  |
| COLO GACF AC 4... | AC                                    |                 |  |
| COLO GACF AW 4... | AW                                    |                 |  |
| COLO GACF AS 4... | AS                                    |                 |  |
| COLO GACF AB 4... | AB                                    |                 |  |
| COLO GACF JH 4... | JH                                    |                 |  |

fill in sleeve coupling code

## To the wall - WITHIN THE CASING

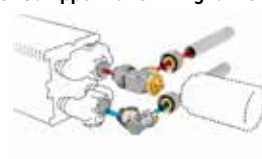
### With Jaga valve



|                  |                 |                 |  |
|------------------|-----------------|-----------------|--|
| <b>set 225</b>   | <b>KVS: 0.8</b> | <b>TWO PIPE</b> |  |
| COLO SW2 AC 4... | AC              |                 |  |
| COLO SW2 AW 4... | AW              |                 |  |
| COLO SW2 AS 4... | AS              |                 |  |
| COLO SW2 AB 4... | AB              |                 |  |
| COLO SW2 JH 4... | JH              |                 |  |

fill in sleeve coupling code

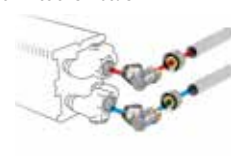
### With Gampper Vario DP Dynamic valve



|                  |                                       |                 |  |
|------------------|---------------------------------------|-----------------|--|
| <b>set 285</b>   | automatic flow limiter (20 - 340 l/h) | <b>TWO PIPE</b> |  |
| COLO GW2 AC 4... | AC                                    |                 |  |
| COLO GW2 AW 4... | AW                                    |                 |  |
| COLO GW2 AS 4... | AS                                    |                 |  |
| COLO GW2 AB 4... | AB                                    |                 |  |
| COLO GW2 JH 4... | JH                                    |                 |  |

fill in sleeve coupling code

### With 2 lockshields



|                  |                 |  |
|------------------|-----------------|--|
| <b>set 226</b>   | <b>TWO PIPE</b> |  |
| COLO LOA 00 4... |                 |  |

fill in sleeve coupling code

## Sleeve couplings 3/4" Eurocone

| PRECISION METAL TUBE |        | SYNTHETIC OR RPE/ALU |        |
|----------------------|--------|----------------------|--------|
| CODE                 | Tube Ø | CODE                 | Tube Ø |
| 112                  | 12/1   | 612                  | 12/2   |
| 114                  | 14/1   | 614                  | 14/2   |
| 115                  | 15/1   | 616                  | 16/2   |
| 116                  | 16/1   | 618                  | 18/2   |
| 118                  | 18/1   | 619                  | 16/1.5 |
|                      |        | 620                  | 20/2   |





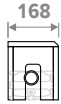
# TEMPO HEIGHT 020 (STANDARD)

# TECHNICAL TABLE

Type 10



Type 15



Type 20



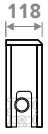
| HEIGHT<br>H<br>cm   | LENGTH<br>L<br>cm | TYPE<br>T | HEATING<br>Room temperature 20°C |                |                |                | WEIGHT<br>WATER CONTENT |     | ORDER CODE          |
|---------------------|-------------------|-----------|----------------------------------|----------------|----------------|----------------|-------------------------|-----|---------------------|
|                     |                   |           | 45/40<br>Watts                   | 50/45<br>Watts | 55/45<br>Watts | 75/65<br>Watts | kg                      | L   |                     |
| <b>TEMW 020 050</b> | <b>10</b>         | <b>10</b> | 106                              | 141            | 158            | 328            | 3                       | 0.3 | TEMW 020 050 10 101 |
|                     | <b>15</b>         | <b>15</b> | 177                              | 235            | 263            | 545            | 4                       | 0.5 | TEMW 020 050 15 101 |
|                     | <b>20</b>         | <b>20</b> | 249                              | 330            | 370            | 766            | 5                       | 0.7 | TEMW 020 050 20 101 |
| <b>060</b>          | <b>10</b>         | <b>10</b> | 127                              | 169            | 189            | 393            | 3                       | 0.4 | TEMW 020 060 10 101 |
|                     | <b>15</b>         | <b>15</b> | 212                              | 282            | 316            | 654            | 5                       | 0.6 | TEMW 020 060 15 101 |
|                     | <b>20</b>         | <b>20</b> | 298                              | 396            | 444            | 919            | 6                       | 0.8 | TEMW 020 060 20 101 |
| <b>070</b>          | <b>10</b>         | <b>10</b> | 148                              | 197            | 221            | 459            | 4                       | 0.5 | TEMW 020 070 10 101 |
|                     | <b>15</b>         | <b>15</b> | 248                              | 329            | 369            | 763            | 5                       | 0.7 | TEMW 020 070 15 101 |
|                     | <b>20</b>         | <b>20</b> | 348                              | 462            | 518            | 1072           | 6                       | 0.9 | TEMW 020 070 20 101 |
| <b>080</b>          | <b>10</b>         | <b>10</b> | 169                              | 225            | 252            | 524            | 4                       | 0.5 | TEMW 020 080 10 101 |
|                     | <b>15</b>         | <b>15</b> | 283                              | 376            | 421            | 872            | 6                       | 0.8 | TEMW 020 080 15 101 |
|                     | <b>20</b>         | <b>20</b> | 398                              | 529            | 592            | 1226           | 7                       | 1.1 | TEMW 020 080 20 101 |
| <b>090</b>          | <b>10</b>         | <b>10</b> | 191                              | 254            | 284            | 590            | 5                       | 0.6 | TEMW 020 090 10 101 |
|                     | <b>15</b>         | <b>15</b> | 318                              | 423            | 474            | 981            | 6                       | 0.9 | TEMW 020 090 15 101 |
|                     | <b>20</b>         | <b>20</b> | 448                              | 595            | 666            | 1379           | 8                       | 1.2 | TEMW 020 090 20 101 |
| <b>100</b>          | <b>10</b>         | <b>10</b> | 212                              | 282            | 316            | 655            | 5                       | 0.7 | TEMW 020 100 10 101 |
|                     | <b>15</b>         | <b>15</b> | 354                              | 470            | 526            | 1090           | 7                       | 1.0 | TEMW 020 100 15 101 |
|                     | <b>20</b>         | <b>20</b> | 497                              | 661            | 740            | 1532           | 9                       | 1.3 | TEMW 020 100 20 101 |
| <b>110</b>          | <b>10</b>         | <b>10</b> | 233                              | 310            | 347            | 721            | 5                       | 0.7 | TEMW 020 110 10 101 |
|                     | <b>15</b>         | <b>15</b> | 389                              | 517            | 579            | 1199           | 7                       | 1.1 | TEMW 020 110 15 101 |
|                     | <b>20</b>         | <b>20</b> | 547                              | 727            | 814            | 1685           | 9                       | 1.5 | TEMW 020 110 20 101 |
| <b>120</b>          | <b>10</b>         | <b>10</b> | 254                              | 338            | 379            | 786            | 6                       | 0.8 | TEMW 020 120 10 101 |
|                     | <b>15</b>         | <b>15</b> | 424                              | 564            | 632            | 1308           | 8                       | 1.2 | TEMW 020 120 15 101 |
|                     | <b>20</b>         | <b>20</b> | 596                              | 793            | 888            | 1838           | 10                      | 1.6 | TEMW 020 120 20 101 |
| <b>140</b>          | <b>10</b>         | <b>10</b> | 296                              | 394            | 442            | 917            | 7                       | 0.9 | TEMW 020 140 10 101 |
|                     | <b>15</b>         | <b>15</b> | 495                              | 658            | 737            | 1526           | 9                       | 1.4 | TEMW 020 140 15 101 |
|                     | <b>20</b>         | <b>20</b> | 696                              | 925            | 1036           | 2145           | 12                      | 1.8 | TEMW 020 140 20 101 |
| <b>160</b>          | <b>10</b>         | <b>10</b> | 339                              | 451            | 505            | 1048           | 8                       | 1.0 | TEMW 020 160 10 101 |
|                     | <b>15</b>         | <b>15</b> | 566                              | 752            | 842            | 1744           | 11                      | 1.6 | TEMW 020 160 15 101 |
|                     | <b>20</b>         | <b>20</b> | 795                              | 1057           | 1184           | 2451           | 13                      | 2.1 | TEMW 020 160 20 101 |
| <b>180</b>          | <b>10</b>         | <b>10</b> | 381                              | 507            | 568            | 1179           | 9                       | 1.2 | TEMW 020 180 10 101 |
|                     | <b>15</b>         | <b>15</b> | 637                              | 846            | 948            | 1962           | 12                      | 1.8 | TEMW 020 180 15 101 |
|                     | <b>20</b>         | <b>20</b> | 895                              | 1190           | 1332           | 2758           | 15                      | 2.4 | TEMW 020 180 20 101 |
| <b>200</b>          | <b>10</b>         | <b>10</b> | 423                              | 563            | 631            | 1310           | 10                      | 1.3 | TEMW 020 200 10 101 |
|                     | <b>15</b>         | <b>15</b> | 707                              | 940            | 1053           | 2180           | 13                      | 2.0 | TEMW 020 200 15 101 |
|                     | <b>20</b>         | <b>20</b> | 994                              | 1322           | 1480           | 3064           | 16                      | 2.6 | TEMW 020 200 20 101 |
| <b>220</b>          | <b>10</b>         | <b>10</b> | 466                              | 620            | 694            | 1441           | 11                      | 1.4 | TEMW 020 220 10 101 |
|                     | <b>15</b>         | <b>15</b> | 778                              | 1034           | 1158           | 2398           | 14                      | 2.2 | TEMW 020 220 15 101 |
|                     | <b>20</b>         | <b>20</b> | 1094                             | 1454           | 1628           | 3370           | 18                      | 2.9 | TEMW 020 220 20 101 |
| <b>240</b>          | <b>10</b>         | <b>10</b> | 508                              | 676            | 757            | 1572           | 12                      | 1.6 | TEMW 020 240 10 101 |
|                     | <b>15</b>         | <b>15</b> | 849                              | 1128           | 1264           | 2616           | 16                      | 2.4 | TEMW 020 240 15 101 |
|                     | <b>20</b>         | <b>20</b> | 1193                             | 1586           | 1776           | 3677           | 20                      | 3.2 | TEMW 020 240 20 101 |
| <b>260</b>          | <b>10</b>         | <b>10</b> | 550                              | 732            | 820            | 1703           | 13                      | 1.7 | TEMW 020 260 10 101 |
|                     | <b>15</b>         | <b>15</b> | 920                              | 1222           | 1369           | 2834           | 17                      | 2.5 | TEMW 020 260 15 101 |
|                     | <b>20</b>         | <b>20</b> | 1293                             | 1718           | 1924           | 3983           | 21                      | 3.4 | TEMW 020 260 20 101 |
| <b>280</b>          | <b>10</b>         | <b>10</b> | 593                              | 789            | 884            | 1834           | 13                      | 1.8 | TEMW 020 280 10 101 |
|                     | <b>15</b>         | <b>15</b> | 990                              | 1316           | 1474           | 3052           | 18                      | 2.7 | TEMW 020 280 15 101 |
|                     | <b>20</b>         | <b>20</b> | 1392                             | 1850           | 2072           | 4290           | 22                      | 3.7 | TEMW 020 280 20 101 |
| <b>300</b>          | <b>10</b>         | <b>10</b> | 635                              | 845            | 947            | 1965           | 14                      | 2.0 | TEMW 020 300 10 101 |
|                     | <b>15</b>         | <b>15</b> | 1061                             | 1410           | 1579           | 3270           | 19                      | 2.9 | TEMW 020 300 15 101 |
|                     | <b>20</b>         | <b>20</b> | 1491                             | 1982           | 2220           | 4596           | 24                      | 4.0 | TEMW 020 300 20 101 |

EN442 output at 20°C

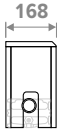
# TEMPO HEIGHT 030 (STANDARD)

# TECHNICAL TABLE

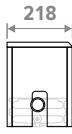
Type 10



Type 15



Type 20

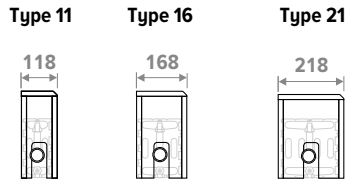


| HEIGHT<br>H<br>cm   | LENGTH<br>L<br>cm | TYPE<br>T | HEATING<br>Room temperature 20°C |                |                |                | WEIGHT<br>kg | WATER CONTENT<br>L | ORDER CODE          |
|---------------------|-------------------|-----------|----------------------------------|----------------|----------------|----------------|--------------|--------------------|---------------------|
|                     |                   |           | 45/40<br>Watts                   | 50/45<br>Watts | 55/45<br>Watts | 75/65<br>Watts |              |                    |                     |
| <b>TEMW 030 050</b> | <b>10</b>         | <b>10</b> | 135                              | 179            | 200            | 413            | 4            | 0.3                | TEMW 030 050 10 101 |
|                     | <b>15</b>         | <b>15</b> | 223                              | 295            | 330            | 680            | 5            | 0.5                | TEMW 030 050 15 101 |
|                     | <b>20</b>         | <b>20</b> | 312                              | 414            | 463            | 953            | 6            | 0.7                | TEMW 030 050 20 101 |
| <b>060</b>          | <b>10</b>         | <b>10</b> | 162                              | 215            | 240            | 496            | 4            | 0.4                | TEMW 030 060 10 101 |
|                     | <b>15</b>         | <b>15</b> | 267                              | 354            | 396            | 815            | 6            | 0.6                | TEMW 030 060 15 101 |
|                     | <b>20</b>         | <b>20</b> | 375                              | 497            | 556            | 1144           | 7            | 0.8                | TEMW 030 060 20 101 |
| <b>070</b>          | <b>10</b>         | <b>10</b> | 188                              | 250            | 280            | 578            | 5            | 0.5                | TEMW 030 070 10 101 |
|                     | <b>15</b>         | <b>15</b> | 312                              | 413            | 462            | 951            | 6            | 0.7                | TEMW 030 070 15 101 |
|                     | <b>20</b>         | <b>20</b> | 437                              | 580            | 648            | 1334           | 8            | 0.9                | TEMW 030 070 20 101 |
| <b>080</b>          | <b>10</b>         | <b>10</b> | 215                              | 286            | 320            | 661            | 5            | 0.5                | TEMW 030 080 10 101 |
|                     | <b>15</b>         | <b>15</b> | 356                              | 472            | 528            | 1087           | 7            | 0.8                | TEMW 030 080 15 101 |
|                     | <b>20</b>         | <b>20</b> | 500                              | 662            | 741            | 1525           | 9            | 1.1                | TEMW 030 080 20 101 |
| <b>090</b>          | <b>10</b>         | <b>10</b> | 242                              | 321            | 360            | 743            | 6            | 0.6                | TEMW 030 090 10 101 |
|                     | <b>15</b>         | <b>15</b> | 401                              | 531            | 594            | 1223           | 8            | 0.9                | TEMW 030 090 15 101 |
|                     | <b>20</b>         | <b>20</b> | 562                              | 745            | 834            | 1715           | 9            | 1.2                | TEMW 030 090 20 101 |
| <b>100</b>          | <b>10</b>         | <b>10</b> | 269                              | 357            | 400            | 826            | 6            | 0.7                | TEMW 030 100 10 101 |
|                     | <b>15</b>         | <b>15</b> | 445                              | 590            | 660            | 1359           | 8            | 1.0                | TEMW 030 100 15 101 |
|                     | <b>20</b>         | <b>20</b> | 624                              | 828            | 926            | 1906           | 10           | 1.3                | TEMW 030 100 20 101 |
| <b>110</b>          | <b>10</b>         | <b>10</b> | 296                              | 393            | 440            | 909            | 7            | 0.7                | TEMW 030 110 10 101 |
|                     | <b>15</b>         | <b>15</b> | 490                              | 649            | 727            | 1495           | 9            | 1.1                | TEMW 030 110 15 101 |
|                     | <b>20</b>         | <b>20</b> | 687                              | 911            | 1019           | 2097           | 11           | 1.5                | TEMW 030 110 20 101 |
| <b>120</b>          | <b>10</b>         | <b>10</b> | 323                              | 429            | 480            | 991            | 7            | 0.8                | TEMW 030 120 10 101 |
|                     | <b>15</b>         | <b>15</b> | 534                              | 709            | 793            | 1631           | 10           | 1.2                | TEMW 030 120 15 101 |
|                     | <b>20</b>         | <b>20</b> | 749                              | 993            | 1112           | 2287           | 12           | 1.6                | TEMW 030 120 20 101 |
| <b>140</b>          | <b>10</b>         | <b>10</b> | 377                              | 500            | 560            | 1156           | 9            | 0.9                | TEMW 030 140 10 101 |
|                     | <b>15</b>         | <b>15</b> | 624                              | 827            | 925            | 1903           | 11           | 1.4                | TEMW 030 140 15 101 |
|                     | <b>20</b>         | <b>20</b> | 874                              | 1159           | 1297           | 2668           | 14           | 1.8                | TEMW 030 140 20 101 |
| <b>160</b>          | <b>10</b>         | <b>10</b> | 431                              | 572            | 640            | 1322           | 10           | 1.0                | TEMW 030 160 10 101 |
|                     | <b>15</b>         | <b>15</b> | 712                              | 944            | 1057           | 2174           | 13           | 1.6                | TEMW 030 160 15 101 |
|                     | <b>20</b>         | <b>20</b> | 999                              | 1325           | 1482           | 3050           | 15           | 2.1                | TEMW 030 160 20 101 |
| <b>180</b>          | <b>10</b>         | <b>10</b> | 484                              | 643            | 720            | 1487           | 11           | 1.2                | TEMW 030 180 10 101 |
|                     | <b>15</b>         | <b>15</b> | 801                              | 1063           | 1189           | 2446           | 14           | 1.8                | TEMW 030 180 15 101 |
|                     | <b>20</b>         | <b>20</b> | 1124                             | 1490           | 1668           | 3431           | 17           | 2.4                | TEMW 030 180 20 101 |
| <b>200</b>          | <b>10</b>         | <b>10</b> | 538                              | 715            | 800            | 1652           | 12           | 1.3                | TEMW 030 200 10 101 |
|                     | <b>15</b>         | <b>15</b> | 891                              | 1181           | 1321           | 2718           | 15           | 2.0                | TEMW 030 200 15 101 |
|                     | <b>20</b>         | <b>20</b> | 1249                             | 1656           | 1853           | 3812           | 19           | 2.6                | TEMW 030 200 20 101 |
| <b>220</b>          | <b>10</b>         | <b>10</b> | 592                              | 786            | 880            | 1817           | 13           | 1.4                | TEMW 030 220 10 101 |
|                     | <b>15</b>         | <b>15</b> | 980                              | 1299           | 1453           | 2990           | 17           | 2.2                | TEMW 030 220 15 101 |
|                     | <b>20</b>         | <b>20</b> | 1374                             | 1821           | 2038           | 4193           | 20           | 2.9                | TEMW 030 220 20 101 |
| <b>240</b>          | <b>10</b>         | <b>10</b> | 646                              | 857            | 960            | 1982           | 14           | 1.6                | TEMW 030 240 10 101 |
|                     | <b>15</b>         | <b>15</b> | 1069                             | 1417           | 1585           | 3262           | 18           | 2.4                | TEMW 030 240 15 101 |
|                     | <b>20</b>         | <b>20</b> | 1499                             | 1987           | 2223           | 4574           | 22           | 3.2                | TEMW 030 240 20 101 |
| <b>260</b>          | <b>10</b>         | <b>10</b> | 700                              | 929            | 1040           | 2148           | 15           | 1.7                | TEMW 030 260 10 101 |
|                     | <b>15</b>         | <b>15</b> | 1158                             | 1535           | 1717           | 3533           | 20           | 2.5                | TEMW 030 260 15 101 |
|                     | <b>20</b>         | <b>20</b> | 1624                             | 2153           | 2409           | 4956           | 24           | 3.4                | TEMW 030 260 20 101 |
| <b>280</b>          | <b>10</b>         | <b>10</b> | 754                              | 1001           | 1120           | 2313           | 16           | 1.8                | TEMW 030 280 10 101 |
|                     | <b>15</b>         | <b>15</b> | 1247                             | 1653           | 1849           | 3805           | 21           | 2.7                | TEMW 030 280 15 101 |
|                     | <b>20</b>         | <b>20</b> | 1749                             | 2318           | 2594           | 5337           | 26           | 3.7                | TEMW 030 280 20 101 |
| <b>300</b>          | <b>10</b>         | <b>10</b> | 807                              | 1072           | 1200           | 2478           | 17           | 2.0                | TEMW 030 300 10 101 |
|                     | <b>15</b>         | <b>15</b> | 1336                             | 1771           | 1981           | 4077           | 22           | 2.9                | TEMW 030 300 15 101 |
|                     | <b>20</b>         | <b>20</b> | 1873                             | 2484           | 2779           | 5718           | 27           | 4.0                | TEMW 030 300 20 101 |

EN442 output at 20°C

# TEMPO HEIGHT 030 (TWIN)

# TECHNICAL TABLE

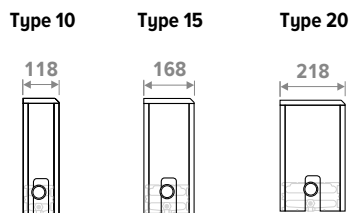


| HEIGHT<br>H<br>cm   | LENGTH<br>L<br>cm | TYPE<br>T | HEATING<br>Room temperature 20°C |                |                |                | WEIGHT<br>kg | WATER CONTENT<br>L | ORDER CODE          |
|---------------------|-------------------|-----------|----------------------------------|----------------|----------------|----------------|--------------|--------------------|---------------------|
|                     |                   |           | 45/40<br>Watts                   | 50/45<br>Watts | 55/45<br>Watts | 75/65<br>Watts |              |                    |                     |
| <b>TEMW 030 050</b> | <b>11</b>         | <b>11</b> | 177                              | 237            | 267            | 561            | 5            | 0.7                | TEMW 030 050 11 101 |
|                     | <b>16</b>         | <b>16</b> | 231                              | 310            | 349            | 740            | 6            | 1.0                | TEMW 030 050 16 101 |
|                     | <b>21</b>         | <b>21</b> | 301                              | 405            | 456            | 974            | 8            | 1.3                | TEMW 030 050 21 101 |
| <b>060</b>          | <b>11</b>         | <b>11</b> | 213                              | 285            | 320            | 673            | 5            | 0.8                | TEMW 030 060 11 101 |
|                     | <b>16</b>         | <b>16</b> | 277                              | 372            | 418            | 888            | 7            | 1.2                | TEMW 030 060 16 101 |
|                     | <b>21</b>         | <b>21</b> | 362                              | 486            | 547            | 1169           | 9            | 1.6                | TEMW 030 060 21 101 |
| <b>070</b>          | <b>11</b>         | <b>11</b> | 248                              | 332            | 373            | 785            | 6            | 0.9                | TEMW 030 070 11 101 |
|                     | <b>16</b>         | <b>16</b> | 324                              | 434            | 488            | 1036           | 8            | 1.4                | TEMW 030 070 16 101 |
|                     | <b>21</b>         | <b>21</b> | 422                              | 568            | 639            | 1364           | 10           | 1.9                | TEMW 030 070 21 101 |
| <b>080</b>          | <b>11</b>         | <b>11</b> | 284                              | 380            | 426            | 897            | 6            | 1.1                | TEMW 030 080 11 101 |
|                     | <b>16</b>         | <b>16</b> | 370                              | 496            | 558            | 1184           | 9            | 1.6                | TEMW 030 080 16 101 |
|                     | <b>21</b>         | <b>21</b> | 482                              | 648            | 730            | 1558           | 11           | 2.1                | TEMW 030 080 21 101 |
| <b>090</b>          | <b>11</b>         | <b>11</b> | 319                              | 427            | 479            | 1009           | 7            | 1.2                | TEMW 030 090 11 101 |
|                     | <b>16</b>         | <b>16</b> | 416                              | 558            | 628            | 1332           | 10           | 1.8                | TEMW 030 090 16 101 |
|                     | <b>21</b>         | <b>21</b> | 542                              | 729            | 821            | 1753           | 12           | 2.4                | TEMW 030 090 21 101 |
| <b>100</b>          | <b>11</b>         | <b>11</b> | 355                              | 474            | 533            | 1121           | 8            | 1.3                | TEMW 030 100 11 101 |
|                     | <b>16</b>         | <b>16</b> | 462                              | 620            | 697            | 1480           | 11           | 2.0                | TEMW 030 100 16 101 |
|                     | <b>21</b>         | <b>21</b> | 603                              | 811            | 912            | 1948           | 13           | 2.7                | TEMW 030 100 21 101 |
| <b>110</b>          | <b>11</b>         | <b>11</b> | 390                              | 522            | 586            | 1233           | 9            | 1.5                | TEMW 030 110 11 101 |
|                     | <b>16</b>         | <b>16</b> | 508                              | 682            | 767            | 1628           | 11           | 2.2                | TEMW 030 110 16 101 |
|                     | <b>21</b>         | <b>21</b> | 663                              | 892            | 1003           | 2143           | 14           | 2.9                | TEMW 030 110 21 101 |
| <b>120</b>          | <b>11</b>         | <b>11</b> | 425                              | 569            | 639            | 1345           | 9            | 1.6                | TEMW 030 120 11 101 |
|                     | <b>16</b>         | <b>16</b> | 555                              | 744            | 837            | 1776           | 12           | 2.4                | TEMW 030 120 16 101 |
|                     | <b>21</b>         | <b>21</b> | 723                              | 973            | 1095           | 2338           | 15           | 3.2                | TEMW 030 120 21 101 |
| <b>140</b>          | <b>11</b>         | <b>11</b> | 496                              | 664            | 745            | 1569           | 11           | 1.9                | TEMW 030 140 11 101 |
|                     | <b>16</b>         | <b>16</b> | 647                              | 868            | 976            | 2072           | 15           | 2.8                | TEMW 030 140 16 101 |
|                     | <b>21</b>         | <b>21</b> | 844                              | 1135           | 1277           | 2727           | 19           | 3.7                | TEMW 030 140 21 101 |
| <b>160</b>          | <b>11</b>         | <b>11</b> | 567                              | 759            | 852            | 1794           | 12           | 2.1                | TEMW 030 160 11 101 |
|                     | <b>16</b>         | <b>16</b> | 740                              | 992            | 1116           | 2368           | 16           | 3.2                | TEMW 030 160 16 101 |
|                     | <b>21</b>         | <b>21</b> | 964                              | 1297           | 1460           | 3117           | 20           | 4.3                | TEMW 030 160 21 101 |
| <b>180</b>          | <b>11</b>         | <b>11</b> | 638                              | 854            | 959            | 2018           | 14           | 2.4                | TEMW 030 180 11 101 |
|                     | <b>16</b>         | <b>16</b> | 832                              | 1117           | 1255           | 2664           | 18           | 3.6                | TEMW 030 180 16 101 |
|                     | <b>21</b>         | <b>21</b> | 1084                             | 1459           | 1642           | 3506           | 23           | 4.8                | TEMW 030 180 21 101 |
| <b>200</b>          | <b>11</b>         | <b>11</b> | 709                              | 949            | 1065           | 2242           | 15           | 2.7                | TEMW 030 200 11 101 |
|                     | -                 | <b>16</b> | 924                              | 1241           | 1395           | 2960           | 19           | 4.0                | TEMW 030 200 16 101 |
|                     | -                 | <b>21</b> | 1205                             | 1621           | 1824           | 3896           | 25           | 5.3                | TEMW 030 200 21 101 |
| <b>220</b>          | <b>11</b>         | <b>11</b> | 780                              | 1043           | 1172           | 2466           | 16           | 2.9                | TEMW 030 220 11 101 |
|                     | <b>16</b>         | <b>16</b> | 1017                             | 1365           | 1534           | 3256           | 21           | 4.4                | TEMW 030 220 16 101 |
|                     | <b>21</b>         | <b>21</b> | 1326                             | 1784           | 2007           | 4286           | 27           | 5.9                | TEMW 030 220 21 101 |
| <b>240</b>          | <b>11</b>         | <b>11</b> | 851                              | 1138           | 1278           | 2690           | 18           | 3.2                | TEMW 030 240 11 101 |
|                     | -                 | <b>16</b> | 1109                             | 1489           | 1674           | 3552           | 23           | 4.8                | TEMW 030 240 16 101 |
|                     | -                 | <b>21</b> | 1446                             | 1945           | 2189           | 4675           | 29           | 6.4                | TEMW 030 240 21 101 |
| <b>260</b>          | <b>11</b>         | <b>11</b> | 922                              | 1233           | 1385           | 2915           | 19           | 3.5                | TEMW 030 260 11 101 |
|                     | <b>16</b>         | <b>16</b> | 1202                             | 1613           | 1813           | 3848           | 25           | 5.1                | TEMW 030 260 16 101 |
|                     | <b>21</b>         | <b>21</b> | 1567                             | 2108           | 2372           | 5065           | 32           | 6.9                | TEMW 030 260 21 101 |
| <b>280</b>          | <b>11</b>         | <b>11</b> | 993                              | 1328           | 1491           | 3139           | 21           | 3.7                | TEMW 030 280 11 101 |
|                     | <b>16</b>         | <b>16</b> | 1294                             | 1737           | 1953           | 4144           | 26           | 5.5                | TEMW 030 280 16 101 |
|                     | <b>21</b>         | <b>21</b> | 1687                             | 2270           | 2554           | 5454           | 34           | 7.4                | TEMW 030 280 21 101 |
| <b>300</b>          | <b>11</b>         | <b>11</b> | 1064                             | 1423           | 1598           | 3363           | 22           | 4.0                | TEMW 030 300 11 101 |
|                     | <b>16</b>         | <b>16</b> | 1387                             | 1861           | 2092           | 4440           | 28           | 5.9                | TEMW 030 300 16 101 |
|                     | <b>21</b>         | <b>21</b> | 1808                             | 2432           | 2736           | 5844           | 36           | 8.0                | TEMW 030 300 21 101 |

EN442 output at 20°C

# TEMPO HEIGHT 040 (STANDARD)

# TECHNICAL TABLE

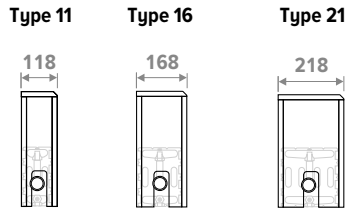


| HEIGHT<br>H<br>cm   | LENGTH<br>L<br>cm | TYPE<br>T | HEATING<br>Room temperature 20°C |                |                |                | WEIGHT<br>kg | WATER CONTENT<br>L | ORDER CODE          |
|---------------------|-------------------|-----------|----------------------------------|----------------|----------------|----------------|--------------|--------------------|---------------------|
|                     |                   |           | 45/40<br>Watts                   | 50/45<br>Watts | 55/45<br>Watts | 75/65<br>Watts |              |                    |                     |
| <b>TEMW 040 050</b> | <b>10</b>         | <b>10</b> | 158                              | 210            | 234            | 482            | 5            | 0.3                | TEMW 040 050 10 101 |
|                     | <b>15</b>         | <b>15</b> | 259                              | 343            | 383            | 784            | 6            | 0.5                | TEMW 040 050 15 101 |
|                     | <b>20</b>         | <b>20</b> | 363                              | 480            | 537            | 1098           | 7            | 0.7                | TEMW 040 050 20 101 |
| <b>060</b>          | <b>10</b>         | <b>10</b> | 190                              | 251            | 281            | 578            | 5            | 0.4                | TEMW 040 060 10 101 |
|                     | <b>15</b>         | <b>15</b> | 311                              | 411            | 460            | 941            | 7            | 0.6                | TEMW 040 060 15 101 |
|                     | <b>20</b>         | <b>20</b> | 436                              | 577            | 645            | 1318           | 8            | 0.8                | TEMW 040 060 20 101 |
| <b>070</b>          | <b>10</b>         | <b>10</b> | 221                              | 293            | 328            | 674            | 6            | 0.5                | TEMW 040 070 10 101 |
|                     | <b>15</b>         | <b>15</b> | 363                              | 480            | 537            | 1098           | 7            | 0.7                | TEMW 040 070 15 101 |
|                     | <b>20</b>         | <b>20</b> | 508                              | 672            | 752            | 1537           | 9            | 0.9                | TEMW 040 070 20 101 |
| <b>080</b>          | <b>10</b>         | <b>10</b> | 253                              | 335            | 375            | 770            | 6            | 0.5                | TEMW 040 080 10 101 |
|                     | <b>15</b>         | <b>15</b> | 414                              | 548            | 613            | 1254           | 8            | 0.8                | TEMW 040 080 15 101 |
|                     | <b>20</b>         | <b>20</b> | 581                              | 769            | 859            | 1757           | 10           | 1.1                | TEMW 040 080 20 101 |
| <b>090</b>          | <b>10</b>         | <b>10</b> | 285                              | 377            | 422            | 867            | 7            | 0.6                | TEMW 040 090 10 101 |
|                     | <b>15</b>         | <b>15</b> | 466                              | 617            | 690            | 1411           | 9            | 0.9                | TEMW 040 090 15 101 |
|                     | <b>20</b>         | <b>20</b> | 654                              | 865            | 966            | 1976           | 11           | 1.2                | TEMW 040 090 20 101 |
| <b>100</b>          | <b>10</b>         | <b>10</b> | 316                              | 419            | 469            | 963            | 7            | 0.7                | TEMW 040 100 10 101 |
|                     | <b>15</b>         | <b>15</b> | 518                              | 686            | 766            | 1568           | 10           | 1.0                | TEMW 040 100 15 101 |
|                     | <b>20</b>         | <b>20</b> | 726                              | 961            | 1074           | 2196           | 12           | 1.3                | TEMW 040 100 20 101 |
| <b>110</b>          | <b>10</b>         | <b>10</b> | 348                              | 461            | 515            | 1059           | 8            | 0.7                | TEMW 040 110 10 101 |
|                     | <b>15</b>         | <b>15</b> | 570                              | 754            | 843            | 1725           | 10           | 1.1                | TEMW 040 110 15 101 |
|                     | <b>20</b>         | <b>20</b> | 799                              | 1057           | 1182           | 2416           | 13           | 1.5                | TEMW 040 110 20 101 |
| <b>120</b>          | <b>10</b>         | <b>10</b> | 379                              | 503            | 562            | 1156           | 9            | 0.8                | TEMW 040 120 10 101 |
|                     | <b>15</b>         | <b>15</b> | 622                              | 823            | 920            | 1882           | 11           | 1.2                | TEMW 040 120 15 101 |
|                     | <b>20</b>         | <b>20</b> | 872                              | 1153           | 1289           | 2635           | 14           | 1.6                | TEMW 040 120 20 101 |
| <b>140</b>          | <b>10</b>         | <b>10</b> | 442                              | 586            | 656            | 1348           | 10           | 0.9                | TEMW 040 140 10 101 |
|                     | <b>15</b>         | <b>15</b> | 726                              | 960            | 1073           | 2195           | 13           | 1.4                | TEMW 040 140 15 101 |
|                     | <b>20</b>         | <b>20</b> | 1017                             | 1345           | 1503           | 3074           | 16           | 1.8                | TEMW 040 140 20 101 |
| <b>160</b>          | <b>10</b>         | <b>10</b> | 506                              | 670            | 750            | 1541           | 12           | 1.0                | TEMW 040 160 10 101 |
|                     | <b>15</b>         | <b>15</b> | 829                              | 1097           | 1226           | 2509           | 15           | 1.6                | TEMW 040 160 15 101 |
|                     | <b>20</b>         | <b>20</b> | 1162                             | 1537           | 1718           | 3514           | 18           | 2.1                | TEMW 040 160 20 101 |
| <b>180</b>          | <b>10</b>         | <b>10</b> | 569                              | 754            | 843            | 1733           | 13           | 1.2                | TEMW 040 180 10 101 |
|                     | <b>15</b>         | <b>15</b> | 933                              | 1234           | 1379           | 2822           | 16           | 1.8                | TEMW 040 180 15 101 |
|                     | <b>20</b>         | <b>20</b> | 1308                             | 1730           | 1933           | 3953           | 19           | 2.4                | TEMW 040 180 20 101 |
| <b>200</b>          | <b>10</b>         | <b>10</b> | 632                              | 838            | 937            | 1926           | 14           | 1.3                | TEMW 040 200 10 101 |
|                     | <b>15</b>         | <b>15</b> | 1037                             | 1371           | 1533           | 3136           | 18           | 2.0                | TEMW 040 200 15 101 |
|                     | <b>20</b>         | <b>20</b> | 1453                             | 1922           | 2148           | 4392           | 21           | 2.6                | TEMW 040 200 20 101 |
| <b>220</b>          | <b>10</b>         | <b>10</b> | 695                              | 922            | 1031           | 2119           | 15           | 1.4                | TEMW 040 220 10 101 |
|                     | <b>15</b>         | <b>15</b> | 1140                             | 1509           | 1686           | 3450           | 19           | 2.2                | TEMW 040 220 15 101 |
|                     | <b>20</b>         | <b>20</b> | 1598                             | 2114           | 2363           | 4831           | 23           | 2.9                | TEMW 040 220 20 101 |
| <b>240</b>          | <b>10</b>         | <b>10</b> | 758                              | 1005           | 1124           | 2311           | 17           | 1.6                | TEMW 040 240 10 101 |
|                     | <b>15</b>         | <b>15</b> | 1244                             | 1645           | 1839           | 3763           | 21           | 2.4                | TEMW 040 240 15 101 |
|                     | <b>20</b>         | <b>20</b> | 1743                             | 2306           | 2577           | 5270           | 25           | 3.2                | TEMW 040 240 20 101 |
| <b>260</b>          | <b>10</b>         | <b>10</b> | 822                              | 1089           | 1218           | 2504           | 18           | 1.7                | TEMW 040 260 10 101 |
|                     | <b>15</b>         | <b>15</b> | 1348                             | 1783           | 1993           | 4077           | 23           | 2.5                | TEMW 040 260 15 101 |
|                     | <b>20</b>         | <b>20</b> | 1889                             | 2498           | 2792           | 5710           | 27           | 3.4                | TEMW 040 260 20 101 |
| <b>280</b>          | <b>10</b>         | <b>10</b> | 885                              | 1173           | 1312           | 2696           | 19           | 1.8                | TEMW 040 280 10 101 |
|                     | <b>15</b>         | <b>15</b> | 1451                             | 1920           | 2146           | 4390           | 24           | 2.7                | TEMW 040 280 15 101 |
|                     | <b>20</b>         | <b>20</b> | 2034                             | 2690           | 3007           | 6149           | 29           | 3.7                | TEMW 040 280 20 101 |
| <b>300</b>          | <b>10</b>         | <b>10</b> | 948                              | 1257           | 1406           | 2889           | 20           | 2.0                | TEMW 040 300 10 101 |
|                     | <b>15</b>         | <b>15</b> | 1555                             | 2057           | 2299           | 4704           | 25           | 2.9                | TEMW 040 300 15 101 |
|                     | <b>20</b>         | <b>20</b> | 2179                             | 2882           | 3222           | 6588           | 31           | 4.0                | TEMW 040 300 20 101 |

EN442 output at 20°C

# TEMPO HEIGHT 040 (TWIN)

# TECHNICAL TABLE

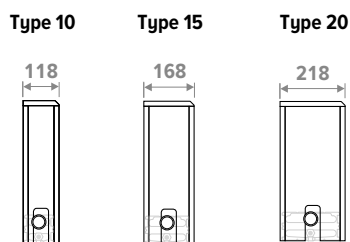


| HEIGHT<br>H<br>cm   | LENGTH<br>L<br>cm | TYPE<br>T | HEATING<br>Room temperature 20°C |                |                |                | WEIGHT |     | ORDER CODE          |
|---------------------|-------------------|-----------|----------------------------------|----------------|----------------|----------------|--------|-----|---------------------|
|                     |                   |           | 45/40<br>Watts                   | 50/45<br>Watts | 55/45<br>Watts | 75/65<br>Watts | kg     | L   |                     |
| <b>TEMW 040 050</b> | <b>11</b>         | <b>11</b> | 200                              | 268            | 300            | 632            | 5      | 0.7 | TEMW 040 050 11 101 |
|                     | <b>16</b>         | <b>16</b> | 265                              | 355            | 400            | 850            | 7      | 1.0 | TEMW 040 050 16 101 |
|                     | <b>21</b>         | <b>21</b> | 349                              | 471            | 530            | 1137           | 9      | 1.3 | TEMW 040 050 21 101 |
| <b>060</b>          | <b>11</b>         | <b>11</b> | 240                              | 321            | 360            | 758            | 6      | 0.8 | TEMW 040 060 11 101 |
|                     | <b>16</b>         | <b>16</b> | 318                              | 426            | 480            | 1020           | 8      | 1.2 | TEMW 040 060 16 101 |
|                     | <b>21</b>         | <b>21</b> | 419                              | 565            | 636            | 1364           | 10     | 1.6 | TEMW 040 060 21 101 |
| <b>070</b>          | <b>11</b>         | <b>11</b> | 280                              | 375            | 421            | 885            | 7      | 0.9 | TEMW 040 070 11 101 |
|                     | <b>16</b>         | <b>16</b> | 370                              | 498            | 560            | 1190           | 9      | 1.4 | TEMW 040 070 16 101 |
|                     | <b>21</b>         | <b>21</b> | 489                              | 659            | 742            | 1592           | 11     | 1.9 | TEMW 040 070 21 101 |
| <b>080</b>          | <b>11</b>         | <b>11</b> | 320                              | 428            | 481            | 1011           | 8      | 1.1 | TEMW 040 080 11 101 |
|                     | <b>16</b>         | <b>16</b> | 423                              | 569            | 639            | 1360           | 10     | 1.6 | TEMW 040 080 16 101 |
|                     | <b>21</b>         | <b>21</b> | 559                              | 753            | 848            | 1819           | 12     | 2.1 | TEMW 040 080 21 101 |
| <b>090</b>          | <b>11</b>         | <b>11</b> | 360                              | 482            | 541            | 1138           | 8      | 1.2 | TEMW 040 090 11 101 |
|                     | <b>16</b>         | <b>16</b> | 476                              | 640            | 719            | 1530           | 11     | 1.8 | TEMW 040 090 16 101 |
|                     | <b>21</b>         | <b>21</b> | 629                              | 847            | 954            | 2047           | 14     | 2.4 | TEMW 040 090 21 101 |
| <b>100</b>          | <b>11</b>         | <b>11</b> | 400                              | 535            | 601            | 1264           | 9      | 1.3 | TEMW 040 100 11 101 |
|                     | <b>16</b>         | <b>16</b> | 529                              | 711            | 799            | 1700           | 12     | 2.0 | TEMW 040 100 16 101 |
|                     | <b>21</b>         | <b>21</b> | 698                              | 941            | 1060           | 2274           | 15     | 2.7 | TEMW 040 100 21 101 |
| <b>110</b>          | <b>11</b>         | <b>11</b> | 440                              | 589            | 661            | 1390           | 10     | 1.5 | TEMW 040 110 11 101 |
|                     | <b>16</b>         | <b>16</b> | 582                              | 782            | 879            | 1870           | 13     | 2.2 | TEMW 040 110 16 101 |
|                     | <b>21</b>         | <b>21</b> | 768                              | 1035           | 1166           | 2501           | 16     | 2.9 | TEMW 040 110 21 101 |
| <b>120</b>          | <b>11</b>         | <b>11</b> | 480                              | 642            | 721            | 1517           | 11     | 1.6 | TEMW 040 120 11 101 |
|                     | <b>16</b>         | <b>16</b> | 635                              | 853            | 959            | 2040           | 14     | 2.4 | TEMW 040 120 16 101 |
|                     | <b>21</b>         | <b>21</b> | 838                              | 1130           | 1272           | 2729           | 17     | 3.2 | TEMW 040 120 21 101 |
| <b>140</b>          | <b>11</b>         | <b>11</b> | 560                              | 749            | 841            | 1770           | 13     | 1.9 | TEMW 040 140 11 101 |
|                     | <b>16</b>         | <b>16</b> | 741                              | 995            | 1119           | 2380           | 17     | 2.8 | TEMW 040 140 16 101 |
|                     | <b>21</b>         | <b>21</b> | 978                              | 1318           | 1484           | 3184           | 21     | 3.7 | TEMW 040 140 21 101 |
| <b>160</b>          | <b>11</b>         | <b>11</b> | 640                              | 856            | 961            | 2022           | 14     | 2.1 | TEMW 040 160 11 101 |
|                     | <b>16</b>         | <b>16</b> | 847                              | 1137           | 1279           | 2720           | 18     | 3.2 | TEMW 040 160 16 101 |
|                     | <b>21</b>         | <b>21</b> | 1117                             | 1506           | 1696           | 3638           | 23     | 4.3 | TEMW 040 160 21 101 |
| <b>180</b>          | <b>11</b>         | <b>11</b> | 720                              | 963            | 1081           | 2275           | 16     | 2.4 | TEMW 040 180 11 101 |
|                     | <b>16</b>         | <b>16</b> | 953                              | 1279           | 1439           | 3060           | 20     | 3.6 | TEMW 040 180 16 101 |
|                     | <b>21</b>         | <b>21</b> | 1257                             | 1694           | 1908           | 4093           | 25     | 4.8 | TEMW 040 180 21 101 |
| <b>200</b>          | <b>11</b>         | <b>11</b> | 800                              | 1070           | 1202           | 2528           | 17     | 2.7 | TEMW 040 200 11 101 |
|                     | <b>16</b>         | <b>16</b> | 1058                             | 1422           | 1599           | 3400           | 21     | 4.0 | TEMW 040 200 16 101 |
|                     | <b>21</b>         | <b>21</b> | 1397                             | 1882           | 2120           | 4548           | 27     | 5.3 | TEMW 040 200 21 101 |
| <b>220</b>          | <b>11</b>         | <b>11</b> | 880                              | 1177           | 1322           | 2781           | 19     | 2.9 | TEMW 040 220 11 101 |
|                     | <b>16</b>         | <b>16</b> | 1164                             | 1564           | 1759           | 3740           | 23     | 4.4 | TEMW 040 220 16 101 |
|                     | <b>21</b>         | <b>21</b> | 1536                             | 2071           | 2332           | 5003           | 30     | 5.9 | TEMW 040 220 21 101 |
| <b>240</b>          | <b>11</b>         | <b>11</b> | 960                              | 1285           | 1442           | 3034           | 20     | 3.2 | TEMW 040 240 11 101 |
|                     | <b>16</b>         | <b>16</b> | 1270                             | 1706           | 1918           | 4080           | 25     | 4.8 | TEMW 040 240 16 101 |
|                     | <b>21</b>         | <b>21</b> | 1676                             | 2259           | 2544           | 5458           | 32     | 6.4 | TEMW 040 240 21 101 |
| <b>260</b>          | <b>11</b>         | <b>11</b> | 1040                             | 1391           | 1562           | 3286           | 22     | 3.5 | TEMW 040 260 11 101 |
|                     | <b>16</b>         | <b>16</b> | 1376                             | 1848           | 2078           | 4420           | 27     | 5.1 | TEMW 040 260 16 101 |
|                     | <b>21</b>         | <b>21</b> | 1816                             | 2447           | 2755           | 5912           | 35     | 6.9 | TEMW 040 260 21 101 |
| <b>280</b>          | <b>11</b>         | <b>11</b> | 1120                             | 1498           | 1682           | 3539           | 23     | 3.7 | TEMW 040 280 11 101 |
|                     | <b>16</b>         | <b>16</b> | 1482                             | 1990           | 2238           | 4760           | 29     | 5.5 | TEMW 040 280 16 101 |
|                     | <b>21</b>         | <b>21</b> | 1955                             | 2635           | 2968           | 6367           | 37     | 7.4 | TEMW 040 280 21 101 |
| <b>300</b>          | <b>11</b>         | <b>11</b> | 1200                             | 1606           | 1802           | 3792           | 25     | 4.0 | TEMW 040 300 11 101 |
|                     | <b>16</b>         | <b>16</b> | 1588                             | 2132           | 2398           | 5100           | 31     | 5.9 | TEMW 040 300 16 101 |
|                     | <b>21</b>         | <b>21</b> | 2095                             | 2824           | 3180           | 6822           | 40     | 8.0 | TEMW 040 300 21 101 |

EN442 output at 20°C

# TEMPO HEIGHT 050 (STANDARD)

# TECHNICAL TABLE

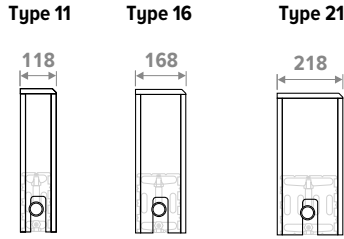


| HEIGHT<br>H<br>cm | LENGTH<br>L<br>cm | TYPE<br>T | HEATING<br>Room temperature 20°C |                |                |                | WEIGHT<br>kg | WATER CONTENT<br>L | ORDER CODE          |
|-------------------|-------------------|-----------|----------------------------------|----------------|----------------|----------------|--------------|--------------------|---------------------|
|                   |                   |           | 45/40<br>Watts                   | 50/45<br>Watts | 55/45<br>Watts | 75/65<br>Watts |              |                    |                     |
| <b>TEMW 050</b>   | <b>050</b>        | <b>10</b> | 178                              | 235            | 263            | 538            | 5            | 0.3                | TEMW 050 050 10 101 |
|                   |                   | <b>15</b> | 289                              | 382            | 426            | 867            | 7            | 0.5                | TEMW 050 050 15 101 |
|                   |                   | <b>20</b> | 405                              | 534            | 597            | 1213           | 8            | 0.7                | TEMW 050 050 20 101 |
| <b>060</b>        | <b>10</b>         | <b>10</b> | 214                              | 282            | 316            | 646            | 6            | 0.4                | TEMW 050 060 10 101 |
|                   |                   | <b>15</b> | 347                              | 458            | 511            | 1040           | 8            | 0.6                | TEMW 050 060 15 101 |
|                   |                   | <b>20</b> | 486                              | 641            | 716            | 1455           | 9            | 0.8                | TEMW 050 060 20 101 |
| <b>070</b>        | <b>10</b>         | <b>10</b> | 249                              | 329            | 368            | 753            | 7            | 0.5                | TEMW 050 070 10 101 |
|                   |                   | <b>15</b> | 405                              | 535            | 597            | 1214           | 9            | 0.7                | TEMW 050 070 15 101 |
|                   |                   | <b>20</b> | 567                              | 748            | 835            | 1698           | 10           | 0.9                | TEMW 050 070 20 101 |
| <b>080</b>        | <b>10</b>         | <b>10</b> | 285                              | 376            | 421            | 861            | 7            | 0.5                | TEMW 050 080 10 101 |
|                   |                   | <b>15</b> | 463                              | 611            | 682            | 1387           | 9            | 0.8                | TEMW 050 080 15 101 |
|                   |                   | <b>20</b> | 647                              | 854            | 954            | 1940           | 11           | 1.1                | TEMW 050 080 20 101 |
| <b>090</b>        | <b>10</b>         | <b>10</b> | 320                              | 423            | 473            | 968            | 8            | 0.6                | TEMW 050 090 10 101 |
|                   |                   | <b>15</b> | 521                              | 687            | 768            | 1561           | 10           | 0.9                | TEMW 050 090 15 101 |
|                   |                   | <b>20</b> | 729                              | 961            | 1074           | 2183           | 12           | 1.2                | TEMW 050 090 20 101 |
| <b>100</b>        | <b>10</b>         | <b>10</b> | 356                              | 471            | 526            | 1076           | 6            | 0.7                | TEMW 050 100 10 101 |
|                   |                   | <b>15</b> | 579                              | 764            | 853            | 1734           | 11           | 1.0                | TEMW 050 100 15 101 |
|                   |                   | <b>20</b> | 809                              | 1068           | 1193           | 2425           | 13           | 1.3                | TEMW 050 100 20 101 |
| <b>110</b>        | <b>10</b>         | <b>10</b> | 391                              | 518            | 579            | 1184           | 9            | 0.7                | TEMW 050 110 10 101 |
|                   |                   | <b>15</b> | 636                              | 840            | 938            | 1907           | 12           | 1.1                | TEMW 050 110 15 101 |
|                   |                   | <b>20</b> | 890                              | 1175           | 1312           | 2668           | 14           | 1.5                | TEMW 050 110 20 101 |
| <b>120</b>        | <b>10</b>         | <b>10</b> | 427                              | 565            | 631            | 1291           | 10           | 0.8                | TEMW 050 120 10 101 |
|                   |                   | <b>15</b> | 694                              | 917            | 1023           | 2081           | 13           | 1.2                | TEMW 050 120 15 101 |
|                   |                   | <b>20</b> | 971                              | 1282           | 1431           | 2910           | 15           | 1.6                | TEMW 050 120 20 101 |
| <b>140</b>        | <b>10</b>         | <b>10</b> | 498                              | 659            | 736            | 1506           | 12           | 0.9                | TEMW 050 140 10 101 |
|                   |                   | <b>15</b> | 810                              | 1069           | 1194           | 2428           | 15           | 1.4                | TEMW 050 140 15 101 |
|                   |                   | <b>20</b> | 1133                             | 1495           | 1670           | 3395           | 18           | 1.8                | TEMW 050 140 20 101 |
| <b>160</b>        | <b>10</b>         | <b>10</b> | 569                              | 753            | 842            | 1722           | 13           | 1.0                | TEMW 050 160 10 101 |
|                   |                   | <b>15</b> | 926                              | 1222           | 1364           | 2774           | 17           | 1.6                | TEMW 050 160 15 101 |
|                   |                   | <b>20</b> | 1295                             | 1709           | 1908           | 3880           | 20           | 2.1                | TEMW 050 160 20 101 |
| <b>180</b>        | <b>10</b>         | <b>10</b> | 640                              | 847            | 947            | 1937           | 15           | 1.2                | TEMW 050 180 10 101 |
|                   |                   | <b>15</b> | 1042                             | 1375           | 1535           | 3121           | 18           | 1.8                | TEMW 050 180 15 101 |
|                   |                   | <b>20</b> | 1457                             | 1922           | 2147           | 4365           | 22           | 2.4                | TEMW 050 180 20 101 |
| <b>200</b>        | <b>10</b>         | <b>10</b> | 711                              | 941            | 1052           | 2152           | 16           | 1.3                | TEMW 050 200 10 101 |
|                   |                   | <b>15</b> | 1157                             | 1527           | 1706           | 3468           | 20           | 2.0                | TEMW 050 200 15 101 |
|                   |                   | <b>20</b> | 1619                             | 2136           | 2385           | 4850           | 24           | 2.6                | TEMW 050 200 20 101 |
| <b>220</b>        | <b>10</b>         | <b>10</b> | 782                              | 1035           | 1157           | 2367           | 17           | 1.4                | TEMW 050 220 10 101 |
|                   |                   | <b>15</b> | 1273                             | 1680           | 1876           | 3815           | 21           | 2.2                | TEMW 050 220 15 101 |
|                   |                   | <b>20</b> | 1780                             | 2350           | 2624           | 5335           | 26           | 2.9                | TEMW 050 220 20 101 |
| <b>240</b>        | <b>10</b>         | <b>10</b> | 853                              | 1129           | 1262           | 2582           | 19           | 1.6                | TEMW 050 240 10 101 |
|                   |                   | <b>15</b> | 1389                             | 1833           | 2047           | 4162           | 24           | 2.4                | TEMW 050 240 15 101 |
|                   |                   | <b>20</b> | 1942                             | 2563           | 2862           | 5820           | 28           | 3.2                | TEMW 050 240 20 101 |
| <b>260</b>        | <b>10</b>         | <b>10</b> | 925                              | 1223           | 1368           | 2798           | 21           | 1.7                | TEMW 050 260 10 101 |
|                   |                   | <b>15</b> | 1504                             | 1985           | 2217           | 4508           | 25           | 2.5                | TEMW 050 260 15 101 |
|                   |                   | <b>20</b> | 2104                             | 2777           | 3101           | 6305           | 30           | 3.4                | TEMW 050 260 20 101 |
| <b>280</b>        | <b>10</b>         | <b>10</b> | 996                              | 1318           | 1473           | 3013           | 22           | 1.8                | TEMW 050 280 10 101 |
|                   |                   | <b>15</b> | 1620                             | 2138           | 2388           | 4855           | 27           | 2.7                | TEMW 050 280 15 101 |
|                   |                   | <b>20</b> | 2266                             | 2990           | 3339           | 6790           | 32           | 3.7                | TEMW 050 280 20 101 |
| <b>300</b>        | <b>10</b>         | <b>10</b> | 1067                             | 1412           | 1578           | 3228           | 23           | 2.0                | TEMW 050 300 10 101 |
|                   |                   | <b>15</b> | 1736                             | 2291           | 2558           | 5202           | 29           | 2.9                | TEMW 050 300 15 101 |
|                   |                   | <b>20</b> | 2428                             | 3204           | 3578           | 7275           | 34           | 4.0                | TEMW 050 300 20 101 |

EN442 output at 20°C

# TEMPO HEIGHT 050 (TWIN)

# TECHNICAL TABLE

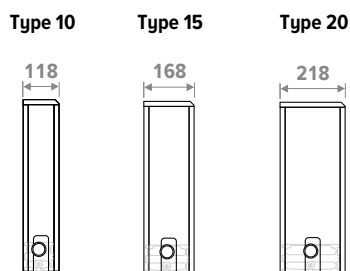


| HEIGHT<br>H<br>cm   | LENGTH<br>L<br>cm | TYPE<br>T | HEATING<br>Room temperature 20°C |                |                |                | WEIGHT<br>WATER CONTENT |     | ORDER CODE          |
|---------------------|-------------------|-----------|----------------------------------|----------------|----------------|----------------|-------------------------|-----|---------------------|
|                     |                   |           | 45/40<br>Watts                   | 50/45<br>Watts | 55/45<br>Watts | 75/65<br>Watts | kg                      | L   |                     |
| <b>TEMW 050 050</b> | <b>11</b>         | <b>11</b> | 220                              | 294            | 330            | 693            | 6                       | 0.7 | TEMW 050 050 11 101 |
|                     | <b>16</b>         | <b>16</b> | 294                              | 396            | 445            | 949            | 8                       | 1.0 | TEMW 050 050 16 101 |
|                     | <b>21</b>         | <b>21</b> | 394                              | 532            | 599            | 1291           | 10                      | 1.3 | TEMW 050 050 21 101 |
| <b>060</b>          | <b>11</b>         | <b>11</b> | 264                              | 352            | 396            | 832            | 7                       | 0.8 | TEMW 050 060 11 101 |
|                     | <b>16</b>         | <b>16</b> | 353                              | 475            | 534            | 1139           | 9                       | 1.2 | TEMW 050 060 16 101 |
|                     | <b>21</b>         | <b>21</b> | 473                              | 638            | 719            | 1549           | 11                      | 1.6 | TEMW 050 060 21 101 |
| <b>070</b>          | <b>11</b>         | <b>11</b> | 307                              | 411            | 461            | 970            | 8                       | 0.9 | TEMW 050 070 11 101 |
|                     | <b>16</b>         | <b>16</b> | 412                              | 554            | 624            | 1329           | 10                      | 1.4 | TEMW 050 070 16 101 |
|                     | <b>21</b>         | <b>21</b> | 551                              | 744            | 839            | 1807           | 12                      | 1.9 | TEMW 050 070 21 101 |
| <b>080</b>          | <b>11</b>         | <b>11</b> | 351                              | 470            | 527            | 1109           | 9                       | 1.1 | TEMW 050 080 11 101 |
|                     | <b>16</b>         | <b>16</b> | 471                              | 633            | 712            | 1518           | 11                      | 1.6 | TEMW 050 080 16 101 |
|                     | <b>21</b>         | <b>21</b> | 630                              | 851            | 959            | 2066           | 14                      | 2.1 | TEMW 050 080 21 101 |
| <b>090</b>          | <b>11</b>         | <b>11</b> | 395                              | 528            | 593            | 1247           | 10                      | 1.2 | TEMW 050 090 11 101 |
|                     | <b>16</b>         | <b>16</b> | 530                              | 712            | 801            | 1708           | 13                      | 1.8 | TEMW 050 090 16 101 |
|                     | <b>21</b>         | <b>21</b> | 709                              | 957            | 1079           | 2324           | 15                      | 2.4 | TEMW 050 090 21 101 |
| <b>100</b>          | <b>11</b>         | <b>11</b> | 439                              | 587            | 659            | 1386           | 10                      | 1.3 | TEMW 050 100 11 101 |
|                     | <b>16</b>         | <b>16</b> | 589                              | 792            | 891            | 1898           | 13                      | 2.0 | TEMW 050 100 16 101 |
|                     | <b>21</b>         | <b>21</b> | 788                              | 1064           | 1198           | 2582           | 16                      | 2.7 | TEMW 050 100 21 101 |
| <b>110</b>          | <b>11</b>         | <b>11</b> | 483                              | 646            | 725            | 1525           | 11                      | 1.5 | TEMW 050 110 11 101 |
|                     | <b>16</b>         | <b>16</b> | 648                              | 871            | 980            | 2088           | 14                      | 2.2 | TEMW 050 110 16 101 |
|                     | <b>21</b>         | <b>21</b> | 867                              | 1170           | 1318           | 2840           | 17                      | 2.9 | TEMW 050 110 21 101 |
| <b>120</b>          | <b>11</b>         | <b>11</b> | 527                              | 705            | 791            | 1663           | 12                      | 1.6 | TEMW 050 120 11 101 |
|                     | <b>16</b>         | <b>16</b> | 707                              | 950            | 1069           | 2278           | 16                      | 2.4 | TEMW 050 120 16 101 |
|                     | <b>21</b>         | <b>21</b> | 945                              | 1276           | 1438           | 3098           | 19                      | 3.2 | TEMW 050 120 21 101 |
| <b>140</b>          | <b>11</b>         | <b>11</b> | 615                              | 822            | 923            | 1940           | 14                      | 1.9 | TEMW 050 140 11 101 |
|                     | <b>16</b>         | <b>16</b> | 825                              | 1108           | 1247           | 2657           | 19                      | 2.8 | TEMW 050 140 16 101 |
|                     | <b>21</b>         | <b>21</b> | 1103                             | 1489           | 1678           | 3615           | 23                      | 3.7 | TEMW 050 140 21 101 |
| <b>160</b>          | <b>11</b>         | <b>11</b> | 703                              | 940            | 1055           | 2218           | 16                      | 2.1 | TEMW 050 160 11 101 |
|                     | <b>16</b>         | <b>16</b> | 942                              | 1267           | 1425           | 3037           | 20                      | 3.2 | TEMW 050 160 16 101 |
|                     | <b>21</b>         | <b>21</b> | 1261                             | 1702           | 1917           | 4131           | 25                      | 4.3 | TEMW 050 160 21 101 |
| <b>180</b>          | <b>11</b>         | <b>11</b> | 790                              | 1057           | 1187           | 2495           | 17                      | 2.4 | TEMW 050 180 11 101 |
|                     | <b>16</b>         | <b>16</b> | 1060                             | 1425           | 1603           | 3416           | 22                      | 3.6 | TEMW 050 180 16 101 |
|                     | <b>21</b>         | <b>21</b> | 1418                             | 1915           | 2157           | 4648           | 27                      | 4.8 | TEMW 050 180 21 101 |
| <b>200</b>          | <b>11</b>         | <b>11</b> | 878                              | 1174           | 1318           | 2772           | 19                      | 2.7 | TEMW 050 200 11 101 |
|                     | <b>16</b>         | <b>16</b> | 1178                             | 1583           | 1781           | 3796           | 24                      | 4.0 | TEMW 050 200 16 101 |
|                     | <b>21</b>         | <b>21</b> | 1576                             | 2127           | 2397           | 5164           | 30                      | 5.3 | TEMW 050 200 21 101 |
| <b>220</b>          | <b>11</b>         | <b>11</b> | 966                              | 1292           | 1450           | 3049           | 21                      | 2.9 | TEMW 050 220 11 101 |
|                     | <b>16</b>         | <b>16</b> | 1296                             | 1742           | 1959           | 4176           | 26                      | 4.4 | TEMW 050 220 16 101 |
|                     | <b>21</b>         | <b>21</b> | 1733                             | 2340           | 2636           | 5680           | 32                      | 5.9 | TEMW 050 220 21 101 |
| <b>240</b>          | <b>11</b>         | <b>11</b> | 1054                             | 1409           | 1582           | 3326           | 23                      | 3.2 | TEMW 050 240 11 101 |
|                     | <b>16</b>         | <b>16</b> | 1413                             | 1900           | 2137           | 4555           | 28                      | 4.8 | TEMW 050 240 16 101 |
|                     | <b>21</b>         | <b>21</b> | 1891                             | 2553           | 2876           | 6197           | 35                      | 6.4 | TEMW 050 240 21 101 |
| <b>260</b>          | <b>11</b>         | <b>11</b> | 1142                             | 1527           | 1714           | 3604           | 25                      | 3.5 | TEMW 050 260 11 101 |
|                     | <b>16</b>         | <b>16</b> | 1531                             | 2058           | 2316           | 4935           | 30                      | 5.1 | TEMW 050 260 16 101 |
|                     | <b>21</b>         | <b>21</b> | 2048                             | 2765           | 3116           | 6713           | 38                      | 6.9 | TEMW 050 260 21 101 |
| <b>280</b>          | <b>11</b>         | <b>11</b> | 1230                             | 1644           | 1846           | 3881           | 26                      | 3.7 | TEMW 050 280 11 101 |
|                     | <b>16</b>         | <b>16</b> | 1649                             | 2217           | 2493           | 5314           | 32                      | 5.5 | TEMW 050 280 16 101 |
|                     | <b>21</b>         | <b>21</b> | 2206                             | 2978           | 3356           | 7230           | 40                      | 7.4 | TEMW 050 280 21 101 |
| <b>300</b>          | <b>11</b>         | <b>11</b> | 1317                             | 1762           | 1977           | 4158           | 28                      | 4.0 | TEMW 050 300 11 101 |
|                     | <b>16</b>         | <b>16</b> | 1767                             | 2375           | 2672           | 5694           | 34                      | 5.9 | TEMW 050 300 16 101 |
|                     | <b>21</b>         | <b>21</b> | 2364                             | 3191           | 3595           | 7746           | 43                      | 8.0 | TEMW 050 300 21 101 |

EN442 output at 20°C

# TEMPO HEIGHT 060 (STANDARD)

# TECHNICAL TABLE



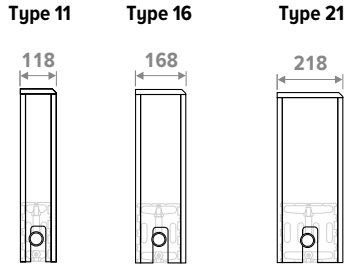
| HEIGHT<br>H<br>cm | LENGTH<br>L<br>cm | TYPE<br>T | HEATING<br>Room temperature 20°C |                |                |                | WEIGHT<br>kg | WATER CONTENT<br>L | ORDER CODE          |
|-------------------|-------------------|-----------|----------------------------------|----------------|----------------|----------------|--------------|--------------------|---------------------|
|                   |                   |           | 45/40<br>Watts                   | 50/45<br>Watts | 55/45<br>Watts | 75/65<br>Watts |              |                    |                     |
| <b>TEMW 060</b>   | <b>050</b>        | <b>10</b> | 195                              | 257            | 287            | 585            | 6            | 0.3                | TEMW 060 050 10 101 |
|                   |                   | <b>15</b> | 314                              | 414            | 462            | 933            | 8            | 0.5                | TEMW 060 050 15 101 |
|                   |                   | <b>20</b> | 439                              | 578            | 645            | 1304           | 10           | 0.7                | TEMW 060 050 20 101 |
| <b>060</b>        | <b>10</b>         | <b>10</b> | 234                              | 309            | 345            | 702            | 7            | 0.4                | TEMW 060 060 10 101 |
|                   |                   | <b>15</b> | 377                              | 497            | 554            | 1120           | 9            | 0.6                | TEMW 060 060 15 101 |
|                   |                   | <b>20</b> | 527                              | 694            | 774            | 1565           | 11           | 0.8                | TEMW 060 060 20 101 |
| <b>070</b>        | <b>10</b>         | <b>10</b> | 273                              | 360            | 402            | 819            | 8            | 0.5                | TEMW 060 070 10 101 |
|                   |                   | <b>15</b> | 440                              | 579            | 646            | 1306           | 10           | 0.7                | TEMW 060 070 15 101 |
|                   |                   | <b>20</b> | 615                              | 810            | 904            | 1826           | 12           | 0.9                | TEMW 060 070 20 101 |
| <b>080</b>        | <b>10</b>         | <b>10</b> | 312                              | 411            | 460            | 936            | 8            | 0.5                | TEMW 060 080 10 101 |
|                   |                   | <b>15</b> | 503                              | 662            | 739            | 1493           | 11           | 0.8                | TEMW 060 080 15 101 |
|                   |                   | <b>20</b> | 703                              | 925            | 1032           | 2086           | 13           | 1.1                | TEMW 060 080 20 101 |
| <b>090</b>        | <b>10</b>         | <b>10</b> | 351                              | 463            | 517            | 1053           | 9            | 0.6                | TEMW 060 090 10 101 |
|                   |                   | <b>15</b> | 566                              | 745            | 831            | 1679           | 12           | 0.9                | TEMW 060 090 15 101 |
|                   |                   | <b>20</b> | 791                              | 1041           | 1161           | 2347           | 14           | 1.2                | TEMW 060 090 20 101 |
| <b>100</b>        | <b>10</b>         | <b>10</b> | 390                              | 514            | 575            | 1170           | 10           | 0.7                | TEMW 060 100 10 101 |
|                   |                   | <b>15</b> | 629                              | 828            | 923            | 1866           | 12           | 1.0                | TEMW 060 100 15 101 |
|                   |                   | <b>20</b> | 879                              | 1157           | 1291           | 2608           | 15           | 1.3                | TEMW 060 100 20 101 |
| <b>110</b>        | <b>10</b>         | <b>10</b> | 428                              | 566            | 632            | 1287           | 11           | 0.7                | TEMW 060 110 10 101 |
|                   |                   | <b>15</b> | 692                              | 911            | 1016           | 2053           | 13           | 1.1                | TEMW 060 110 15 101 |
|                   |                   | <b>20</b> | 967                              | 1273           | 1420           | 2869           | 16           | 1.5                | TEMW 060 110 20 101 |
| <b>120</b>        | <b>10</b>         | <b>10</b> | 467                              | 617            | 689            | 1404           | 12           | 0.8                | TEMW 060 120 10 101 |
|                   |                   | <b>15</b> | 754                              | 993            | 1108           | 2239           | 14           | 1.2                | TEMW 060 120 15 101 |
|                   |                   | <b>20</b> | 1055                             | 1388           | 1549           | 3130           | 17           | 1.6                | TEMW 060 120 20 101 |
| <b>140</b>        | <b>10</b>         | <b>10</b> | 545                              | 720            | 804            | 1638           | 14           | 0.9                | TEMW 060 140 10 101 |
|                   |                   | <b>15</b> | 880                              | 1159           | 1293           | 2612           | 17           | 1.4                | TEMW 060 140 15 101 |
|                   |                   | <b>20</b> | 1230                             | 1620           | 1807           | 3651           | 20           | 1.8                | TEMW 060 140 20 101 |
| <b>160</b>        | <b>10</b>         | <b>10</b> | 623                              | 823            | 919            | 1872           | 15           | 1.0                | TEMW 060 160 10 101 |
|                   |                   | <b>15</b> | 1006                             | 1325           | 1478           | 2986           | 19           | 1.6                | TEMW 060 160 15 101 |
|                   |                   | <b>20</b> | 1406                             | 1851           | 2065           | 4173           | 22           | 2.1                | TEMW 060 160 20 101 |
| <b>180</b>        | <b>10</b>         | <b>10</b> | 701                              | 926            | 1034           | 2106           | 17           | 1.2                | TEMW 060 180 10 101 |
|                   |                   | <b>15</b> | 1132                             | 1490           | 1662           | 3359           | 20           | 1.8                | TEMW 060 180 15 101 |
|                   |                   | <b>20</b> | 1582                             | 2082           | 2323           | 4694           | 24           | 2.4                | TEMW 060 180 20 101 |
| <b>200</b>        | <b>10</b>         | <b>10</b> | 779                              | 1029           | 1149           | 2340           | 18           | 1.3                | TEMW 060 200 10 101 |
|                   |                   | <b>15</b> | 1257                             | 1655           | 1847           | 3732           | 22           | 2.0                | TEMW 060 200 15 101 |
|                   |                   | <b>20</b> | 1757                             | 2314           | 2581           | 5216           | 26           | 2.6                | TEMW 060 200 20 101 |
| <b>220</b>        | <b>10</b>         | <b>10</b> | 857                              | 1132           | 1264           | 2574           | 20           | 1.4                | TEMW 060 220 10 101 |
|                   |                   | <b>15</b> | 1383                             | 1821           | 2031           | 4105           | 24           | 2.2                | TEMW 060 220 15 101 |
|                   |                   | <b>20</b> | 1933                             | 2545           | 2840           | 5738           | 28           | 2.9                | TEMW 060 220 20 101 |
| <b>240</b>        | <b>10</b>         | <b>10</b> | 935                              | 1234           | 1379           | 2808           | 22           | 1.6                | TEMW 060 240 10 101 |
|                   |                   | <b>15</b> | 1509                             | 1986           | 2216           | 4478           | 26           | 2.4                | TEMW 060 240 15 101 |
|                   |                   | <b>20</b> | 2109                             | 2776           | 3097           | 6259           | 31           | 3.2                | TEMW 060 240 20 101 |
| <b>260</b>        | <b>10</b>         | <b>10</b> | 1013                             | 1337           | 1494           | 3042           | 23           | 1.7                | TEMW 060 260 10 101 |
|                   |                   | <b>15</b> | 1635                             | 2152           | 2401           | 4852           | 28           | 2.5                | TEMW 060 260 15 101 |
|                   |                   | <b>20</b> | 2285                             | 3008           | 3356           | 6781           | 33           | 3.4                | TEMW 060 260 20 101 |
| <b>280</b>        | <b>10</b>         | <b>10</b> | 1091                             | 1440           | 1609           | 3276           | 25           | 1.8                | TEMW 060 280 10 101 |
|                   |                   | <b>15</b> | 1761                             | 2318           | 2586           | 5225           | 30           | 2.7                | TEMW 060 280 15 101 |
|                   |                   | <b>20</b> | 2460                             | 3239           | 3614           | 7302           | 35           | 3.7                | TEMW 060 280 20 101 |
| <b>300</b>        | <b>10</b>         | <b>10</b> | 1169                             | 1543           | 1724           | 3510           | 26           | 2.0                | TEMW 060 300 10 101 |
|                   |                   | <b>15</b> | 1886                             | 2483           | 2770           | 5598           | 32           | 2.9                | TEMW 060 300 15 101 |
|                   |                   | <b>20</b> | 2636                             | 3471           | 3872           | 7824           | 38           | 4.0                | TEMW 060 300 20 101 |

EN442 output at 20°C



# TEMPO HEIGHT 060 (TWIN)

# TECHNICAL TABLE

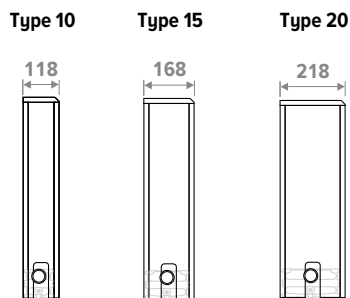


| HEIGHT<br>H<br>cm   | LENGTH<br>L<br>cm | TYPE<br>T | HEATING<br>Room temperature 20°C |                |                |                | WEIGHT |     | ORDER CODE          |
|---------------------|-------------------|-----------|----------------------------------|----------------|----------------|----------------|--------|-----|---------------------|
|                     |                   |           | 45/40<br>Watts                   | 50/45<br>Watts | 55/45<br>Watts | 75/65<br>Watts | kg     | L   |                     |
| <b>TEMW 060 050</b> | <b>11</b>         | <b>11</b> | 237                              | 317            | 355            | 747            | 7      | 0.7 | TEMW 060 050 11 101 |
|                     | <b>16</b>         | <b>16</b> | 322                              | 434            | 488            | 1042           | 9      | 1.0 | TEMW 060 050 16 101 |
|                     | <b>21</b>         | <b>21</b> | 437                              | 591            | 666            | 1441           | 11     | 1.3 | TEMW 060 050 21 101 |
| <b>060</b>          | <b>11</b>         | <b>11</b> | 284                              | 380            | 426            | 896            | 8      | 0.8 | TEMW 060 060 11 101 |
|                     | <b>16</b>         | <b>16</b> | 387                              | 520            | 585            | 1250           | 10     | 1.2 | TEMW 060 060 16 101 |
|                     | <b>21</b>         | <b>21</b> | 524                              | 709            | 799            | 1729           | 12     | 1.6 | TEMW 060 060 21 101 |
| <b>070</b>          | <b>11</b>         | <b>11</b> | 332                              | 443            | 498            | 1046           | 9      | 0.9 | TEMW 060 070 11 101 |
|                     | <b>16</b>         | <b>16</b> | 451                              | 607            | 683            | 1459           | 11     | 1.4 | TEMW 060 070 16 101 |
|                     | <b>21</b>         | <b>21</b> | 612                              | 827            | 932            | 2017           | 14     | 1.9 | TEMW 060 070 21 101 |
| <b>080</b>          | <b>11</b>         | <b>11</b> | 379                              | 507            | 569            | 1195           | 10     | 1.1 | TEMW 060 080 11 101 |
|                     | <b>16</b>         | <b>16</b> | 516                              | 694            | 781            | 1667           | 12     | 1.6 | TEMW 060 080 16 101 |
|                     | <b>21</b>         | <b>21</b> | 699                              | 945            | 1066           | 2306           | 15     | 2.1 | TEMW 060 080 21 101 |
| <b>090</b>          | <b>11</b>         | <b>11</b> | 426                              | 570            | 640            | 1345           | 11     | 1.2 | TEMW 060 090 11 101 |
|                     | <b>16</b>         | <b>16</b> | 580                              | 781            | 878            | 1876           | 14     | 1.8 | TEMW 060 090 16 101 |
|                     | <b>21</b>         | <b>21</b> | 787                              | 1063           | 1199           | 2594           | 17     | 2.4 | TEMW 060 090 21 101 |
| <b>100</b>          | <b>11</b>         | <b>11</b> | 474                              | 633            | 711            | 1494           | 11     | 1.3 | TEMW 060 100 11 101 |
|                     | <b>16</b>         | <b>16</b> | 645                              | 867            | 976            | 2084           | 15     | 2.0 | TEMW 060 100 16 101 |
|                     | <b>21</b>         | <b>21</b> | 874                              | 1181           | 1332           | 2882           | 18     | 2.7 | TEMW 060 100 21 101 |
| <b>110</b>          | <b>11</b>         | <b>11</b> | 521                              | 696            | 782            | 1643           | 12     | 1.5 | TEMW 060 110 11 101 |
|                     | <b>16</b>         | <b>16</b> | 709                              | 954            | 1073           | 2292           | 16     | 2.2 | TEMW 060 110 16 101 |
|                     | <b>21</b>         | <b>21</b> | 961                              | 1300           | 1465           | 3170           | 19     | 2.9 | TEMW 060 110 21 101 |
| <b>120</b>          | <b>11</b>         | <b>11</b> | 569                              | 760            | 853            | 1793           | 13     | 1.6 | TEMW 060 120 11 101 |
|                     | <b>16</b>         | <b>16</b> | 774                              | 1041           | 1171           | 2501           | 17     | 2.4 | TEMW 060 120 16 101 |
|                     | <b>21</b>         | <b>21</b> | 1048                             | 1418           | 1598           | 3458           | 20     | 3.2 | TEMW 060 120 21 101 |
| <b>140</b>          | <b>11</b>         | <b>11</b> | 663                              | 887            | 995            | 2092           | 16     | 1.9 | TEMW 060 140 11 101 |
|                     | <b>16</b>         | <b>16</b> | 903                              | 1214           | 1366           | 2918           | 21     | 2.8 | TEMW 060 140 16 101 |
|                     | <b>21</b>         | <b>21</b> | 1223                             | 1654           | 1865           | 4035           | 25     | 3.7 | TEMW 060 140 21 101 |
| <b>160</b>          | <b>11</b>         | <b>11</b> | 758                              | 1013           | 1137           | 2390           | 18     | 2.1 | TEMW 060 160 11 101 |
|                     | <b>16</b>         | <b>16</b> | 1031                             | 1387           | 1561           | 3334           | 22     | 3.2 | TEMW 060 160 16 101 |
|                     | <b>21</b>         | <b>21</b> | 1398                             | 1890           | 2131           | 4611           | 27     | 4.3 | TEMW 060 160 21 101 |
| <b>180</b>          | <b>11</b>         | <b>11</b> | 853                              | 1140           | 1279           | 2689           | 19     | 2.4 | TEMW 060 180 11 101 |
|                     | <b>16</b>         | <b>16</b> | 1160                             | 1561           | 1756           | 3751           | 24     | 3.6 | TEMW 060 180 16 101 |
|                     | <b>21</b>         | <b>21</b> | 1573                             | 2127           | 2398           | 5188           | 29     | 4.8 | TEMW 060 180 21 101 |
| <b>200</b>          | <b>11</b>         | <b>11</b> | 947                              | 1267           | 1422           | 2988           | 21     | 2.7 | TEMW 060 200 11 101 |
|                     | <b>16</b>         | <b>16</b> | 1289                             | 1734           | 1952           | 4168           | 26     | 4.0 | TEMW 060 200 16 101 |
|                     | <b>21</b>         | <b>21</b> | 1748                             | 2363           | 2664           | 5764           | 32     | 5.3 | TEMW 060 200 21 101 |
| <b>220</b>          | <b>11</b>         | <b>11</b> | 1042                             | 1393           | 1564           | 3287           | 23     | 2.9 | TEMW 060 220 11 101 |
|                     | <b>16</b>         | <b>16</b> | 1418                             | 1908           | 2147           | 4585           | 28     | 4.4 | TEMW 060 220 16 101 |
|                     | <b>21</b>         | <b>21</b> | 1922                             | 2599           | 2931           | 6340           | 35     | 5.9 | TEMW 060 220 21 101 |
| <b>240</b>          | <b>11</b>         | <b>11</b> | 1137                             | 1520           | 1706           | 3586           | 25     | 3.2 | TEMW 060 240 11 101 |
|                     | <b>16</b>         | <b>16</b> | 1547                             | 2081           | 2342           | 5002           | 31     | 4.8 | TEMW 060 240 16 101 |
|                     | <b>21</b>         | <b>21</b> | 2097                             | 2836           | 3197           | 6917           | 38     | 6.4 | TEMW 060 240 21 101 |
| <b>260</b>          | <b>11</b>         | <b>11</b> | 1232                             | 1646           | 1848           | 3884           | 27     | 3.5 | TEMW 060 260 11 101 |
|                     | <b>16</b>         | <b>16</b> | 1676                             | 2255           | 2537           | 5418           | 33     | 5.1 | TEMW 060 260 16 101 |
|                     | <b>21</b>         | <b>21</b> | 2272                             | 3072           | 3464           | 7493           | 41     | 6.9 | TEMW 060 260 21 101 |
| <b>280</b>          | <b>11</b>         | <b>11</b> | 1326                             | 1773           | 1990           | 4183           | 29     | 3.7 | TEMW 060 280 11 101 |
|                     | <b>16</b>         | <b>16</b> | 1805                             | 2428           | 2732           | 5835           | 35     | 5.5 | TEMW 060 280 16 101 |
|                     | <b>21</b>         | <b>21</b> | 2447                             | 3308           | 3730           | 8070           | 44     | 7.4 | TEMW 060 280 21 101 |
| <b>300</b>          | <b>11</b>         | <b>11</b> | 1421                             | 1900           | 2133           | 4482           | 31     | 4.0 | TEMW 060 300 11 101 |
|                     | <b>16</b>         | <b>16</b> | 1934                             | 2602           | 2928           | 6252           | 38     | 5.9 | TEMW 060 300 16 101 |
|                     | <b>21</b>         | <b>21</b> | 2621                             | 3544           | 3997           | 8646           | 46     | 8.0 | TEMW 060 300 21 101 |

EN442 output at 20°C

# TEMPO HEIGHT 070 (STANDARD)

# TECHNICAL TABLE

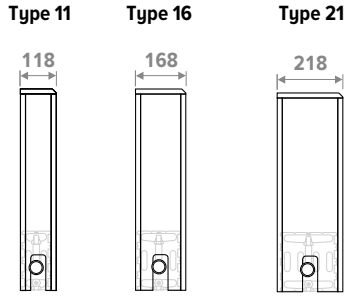


| HEIGHT<br>H<br>cm | LENGTH<br>L<br>cm | TYPE<br>T | HEATING<br>Room temperature 20°C |                |                |                | WEIGHT<br>kg | WATER CONTENT<br>L | ORDER CODE          |
|-------------------|-------------------|-----------|----------------------------------|----------------|----------------|----------------|--------------|--------------------|---------------------|
|                   |                   |           | 45/40<br>Watts                   | 50/45<br>Watts | 55/45<br>Watts | 75/65<br>Watts |              |                    |                     |
| <b>TEMW 070</b>   | <b>050</b>        | <b>10</b> | 209                              | 276            | 308            | 624            | 7            | 0.3                | TEMW 070 050 10 101 |
|                   |                   | <b>15</b> | 335                              | 440            | 491            | 986            | 9            | 0.5                | TEMW 070 050 15 101 |
|                   |                   | <b>20</b> | 468                              | 615            | 686            | 1377           | 11           | 0.7                | TEMW 070 050 20 101 |
| <b>060</b>        | <b>10</b>         | <b>15</b> | 251                              | 331            | 370            | 749            | 8            | 0.4                | TEMW 070 060 10 101 |
|                   |                   | <b>15</b> | 402                              | 528            | 589            | 1183           | 10           | 0.6                | TEMW 070 060 15 101 |
|                   |                   | <b>20</b> | 562                              | 738            | 823            | 1652           | 12           | 0.8                | TEMW 070 060 20 101 |
| <b>070</b>        | <b>10</b>         | <b>15</b> | 293                              | 387            | 431            | 874            | 9            | 0.5                | TEMW 070 070 10 101 |
|                   |                   | <b>15</b> | 469                              | 616            | 687            | 1380           | 11           | 0.7                | TEMW 070 070 15 101 |
|                   |                   | <b>20</b> | 656                              | 861            | 960            | 1927           | 13           | 0.9                | TEMW 070 070 20 101 |
| <b>080</b>        | <b>10</b>         | <b>15</b> | 335                              | 441            | 493            | 998            | 10           | 0.5                | TEMW 070 080 10 101 |
|                   |                   | <b>15</b> | 536                              | 705            | 785            | 1578           | 12           | 0.8                | TEMW 070 080 15 101 |
|                   |                   | <b>20</b> | 749                              | 984            | 1097           | 2202           | 14           | 1.1                | TEMW 070 080 20 101 |
| <b>090</b>        | <b>10</b>         | <b>15</b> | 377                              | 497            | 554            | 1123           | 10           | 0.6                | TEMW 070 090 10 101 |
|                   |                   | <b>15</b> | 603                              | 793            | 883            | 1775           | 13           | 0.9                | TEMW 070 090 15 101 |
|                   |                   | <b>20</b> | 843                              | 1107           | 1234           | 2478           | 15           | 1.2                | TEMW 070 090 20 101 |
| <b>100</b>        | <b>10</b>         | <b>15</b> | 419                              | 552            | 616            | 1248           | 11           | 0.7                | TEMW 070 100 10 101 |
|                   |                   | <b>15</b> | 670                              | 881            | 981            | 1972           | 14           | 1.0                | TEMW 070 100 15 101 |
|                   |                   | <b>20</b> | 937                              | 1230           | 1371           | 2753           | 16           | 1.3                | TEMW 070 100 20 101 |
| <b>110</b>        | <b>10</b>         | <b>15</b> | 461                              | 607            | 678            | 1373           | 12           | 0.7                | TEMW 070 110 10 101 |
|                   |                   | <b>15</b> | 737                              | 968            | 1080           | 2169           | 15           | 1.1                | TEMW 070 110 15 101 |
|                   |                   | <b>20</b> | 1030                             | 1353           | 1508           | 3028           | 17           | 1.5                | TEMW 070 110 20 101 |
| <b>120</b>        | <b>10</b>         | <b>15</b> | 503                              | 663            | 739            | 1498           | 13           | 0.8                | TEMW 070 120 10 101 |
|                   |                   | <b>15</b> | 804                              | 1056           | 1178           | 2366           | 16           | 1.2                | TEMW 070 120 15 101 |
|                   |                   | <b>20</b> | 1124                             | 1476           | 1645           | 3304           | 19           | 1.6                | TEMW 070 120 20 101 |
| <b>140</b>        | <b>10</b>         | <b>15</b> | 586                              | 773            | 862            | 1747           | 15           | 0.9                | TEMW 070 140 10 101 |
|                   |                   | <b>15</b> | 939                              | 1233           | 1374           | 2761           | 19           | 1.4                | TEMW 070 140 15 101 |
|                   |                   | <b>20</b> | 1311                             | 1722           | 1919           | 3854           | 22           | 1.8                | TEMW 070 140 20 101 |
| <b>160</b>        | <b>10</b>         | <b>15</b> | 670                              | 883            | 986            | 1997           | 17           | 1.0                | TEMW 070 160 10 101 |
|                   |                   | <b>15</b> | 1072                             | 1409           | 1570           | 3155           | 21           | 1.6                | TEMW 070 160 15 101 |
|                   |                   | <b>20</b> | 1499                             | 1968           | 2194           | 4405           | 24           | 2.1                | TEMW 070 160 20 101 |
| <b>180</b>        | <b>10</b>         | <b>15</b> | 754                              | 993            | 1109           | 2246           | 19           | 1.2                | TEMW 070 180 10 101 |
|                   |                   | <b>15</b> | 1207                             | 1585           | 1767           | 3550           | 22           | 1.8                | TEMW 070 180 15 101 |
|                   |                   | <b>20</b> | 1686                             | 2214           | 2467           | 4955           | 26           | 2.4                | TEMW 070 180 20 101 |
| <b>200</b>        | <b>10</b>         | <b>15</b> | 838                              | 1104           | 1232           | 2496           | 20           | 1.3                | TEMW 070 200 10 101 |
|                   |                   | <b>15</b> | 1341                             | 1761           | 1963           | 3944           | 24           | 2.0                | TEMW 070 200 15 101 |
|                   |                   | <b>20</b> | 1873                             | 2460           | 2742           | 5506           | 29           | 2.6                | TEMW 070 200 20 101 |
| <b>220</b>        | <b>10</b>         | <b>15</b> | 922                              | 1214           | 1355           | 2746           | 22           | 1.4                | TEMW 070 220 10 101 |
|                   |                   | <b>15</b> | 1475                             | 1937           | 2159           | 4338           | 26           | 2.2                | TEMW 070 220 15 101 |
|                   |                   | <b>20</b> | 2061                             | 2706           | 3016           | 6057           | 31           | 2.9                | TEMW 070 220 20 101 |
| <b>240</b>        | <b>10</b>         | <b>15</b> | 1005                             | 1325           | 1478           | 2995           | 24           | 1.6                | TEMW 070 240 10 101 |
|                   |                   | <b>15</b> | 1609                             | 2113           | 2356           | 4733           | 29           | 2.4                | TEMW 070 240 15 101 |
|                   |                   | <b>20</b> | 2248                             | 2952           | 3290           | 6607           | 34           | 3.2                | TEMW 070 240 20 101 |
| <b>260</b>        | <b>10</b>         | <b>15</b> | 1089                             | 1435           | 1602           | 3245           | 26           | 1.7                | TEMW 070 260 10 101 |
|                   |                   | <b>15</b> | 1743                             | 2289           | 2552           | 5127           | 31           | 2.5                | TEMW 070 260 15 101 |
|                   |                   | <b>20</b> | 2435                             | 3198           | 3564           | 7158           | 37           | 3.4                | TEMW 070 260 20 101 |
| <b>280</b>        | <b>10</b>         | <b>15</b> | 1173                             | 1545           | 1725           | 3494           | 28           | 1.8                | TEMW 070 280 10 101 |
|                   |                   | <b>15</b> | 1877                             | 2466           | 2748           | 5522           | 33           | 2.7                | TEMW 070 280 15 101 |
|                   |                   | <b>20</b> | 2622                             | 3444           | 3838           | 7708           | 39           | 3.7                | TEMW 070 280 20 101 |
| <b>300</b>        | <b>10</b>         | <b>15</b> | 1256                             | 1656           | 1848           | 3744           | 29           | 2.0                | TEMW 070 300 10 101 |
|                   |                   | <b>15</b> | 2011                             | 2642           | 2944           | 5916           | 35           | 2.9                | TEMW 070 300 15 101 |
|                   |                   | <b>20</b> | 2810                             | 3690           | 4113           | 8259           | 41           | 4.0                | TEMW 070 300 20 101 |

EN442 output at 20°C

# TEMPO HEIGHT 070 (TWIN)

# TECHNICAL TABLE

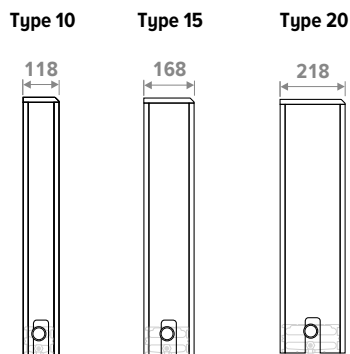


| HEIGHT<br>H<br>cm   | LENGTH<br>L<br>cm | TYPE<br>T | HEATING<br>Room temperature 20°C |                |                |                | WEIGHT<br>kg | WATER CONTENT<br>L | ORDER CODE          |
|---------------------|-------------------|-----------|----------------------------------|----------------|----------------|----------------|--------------|--------------------|---------------------|
|                     |                   |           | 45/40<br>Watts                   | 50/45<br>Watts | 55/45<br>Watts | 75/65<br>Watts |              |                    |                     |
| <b>TEMW 070 050</b> | <b>11</b>         | <b>11</b> | 252                              | 337            | 378            | 795            | 8            | 0.7                | TEMW 070 050 11 101 |
|                     | <b>16</b>         | <b>16</b> | 348                              | 469            | 528            | 1130           | 10           | 1.0                | TEMW 070 050 16 101 |
|                     | <b>21</b>         | <b>21</b> | 479                              | 648            | 731            | 1589           | 12           | 1.3                | TEMW 070 050 21 101 |
| <b>060</b>          | <b>11</b>         | <b>11</b> | 303                              | 405            | 454            | 954            | 9            | 0.8                | TEMW 070 060 11 101 |
|                     | <b>16</b>         | <b>16</b> | 418                              | 563            | 634            | 1356           | 11           | 1.2                | TEMW 070 060 16 101 |
|                     | <b>21</b>         | <b>21</b> | 574                              | 778            | 877            | 1906           | 14           | 1.6                | TEMW 070 060 21 101 |
| <b>070</b>          | <b>11</b>         | <b>11</b> | 353                              | 472            | 530            | 1113           | 10           | 0.9                | TEMW 070 070 11 101 |
|                     | <b>16</b>         | <b>16</b> | 488                              | 657            | 739            | 1582           | 13           | 1.4                | TEMW 070 070 16 101 |
|                     | <b>21</b>         | <b>21</b> | 670                              | 907            | 1024           | 2224           | 15           | 1.9                | TEMW 070 070 21 101 |
| <b>080</b>          | <b>11</b>         | <b>11</b> | 404                              | 540            | 606            | 1272           | 11           | 1.1                | TEMW 070 080 11 101 |
|                     | <b>16</b>         | <b>16</b> | 557                              | 751            | 845            | 1808           | 14           | 1.6                | TEMW 070 080 16 101 |
|                     | <b>21</b>         | <b>21</b> | 766                              | 1037           | 1170           | 2542           | 16           | 2.1                | TEMW 070 080 21 101 |
| <b>090</b>          | <b>11</b>         | <b>11</b> | 454                              | 607            | 681            | 1431           | 12           | 1.2                | TEMW 070 090 11 101 |
|                     | <b>16</b>         | <b>16</b> | 627                              | 844            | 950            | 2034           | 15           | 1.8                | TEMW 070 090 16 101 |
|                     | <b>21</b>         | <b>21</b> | 861                              | 1166           | 1316           | 2859           | 18           | 2.4                | TEMW 070 090 21 101 |
| <b>100</b>          | <b>11</b>         | <b>11</b> | 505                              | 674            | 757            | 1590           | 13           | 1.3                | TEMW 070 100 11 101 |
|                     | <b>16</b>         | <b>16</b> | 697                              | 938            | 1056           | 2260           | 16           | 2.0                | TEMW 070 100 16 101 |
|                     | <b>21</b>         | <b>21</b> | 957                              | 1296           | 1462           | 3177           | 19           | 2.7                | TEMW 070 100 21 101 |
| <b>110</b>          | <b>11</b>         | <b>11</b> | 555                              | 742            | 833            | 1749           | 14           | 1.5                | TEMW 070 110 11 101 |
|                     | <b>16</b>         | <b>16</b> | 767                              | 1032           | 1162           | 2486           | 17           | 2.2                | TEMW 070 110 16 101 |
|                     | <b>21</b>         | <b>21</b> | 1053                             | 1426           | 1609           | 3495           | 21           | 2.9                | TEMW 070 110 21 101 |
| <b>120</b>          | <b>11</b>         | <b>11</b> | 605                              | 809            | 908            | 1908           | 15           | 1.6                | TEMW 070 120 11 101 |
|                     | <b>16</b>         | <b>16</b> | 836                              | 1126           | 1267           | 2712           | 19           | 2.4                | TEMW 070 120 16 101 |
|                     | <b>21</b>         | <b>21</b> | 1148                             | 1555           | 1755           | 3812           | 22           | 3.2                | TEMW 070 120 21 101 |
| <b>140</b>          | <b>11</b>         | <b>11</b> | 706                              | 944            | 1060           | 2226           | 18           | 1.9                | TEMW 070 140 11 101 |
|                     | <b>16</b>         | <b>16</b> | 976                              | 1313           | 1479           | 3164           | 23           | 2.8                | TEMW 070 140 16 101 |
|                     | <b>21</b>         | <b>21</b> | 1340                             | 1815           | 2048           | 4448           | 27           | 3.7                | TEMW 070 140 21 101 |
| <b>160</b>          | <b>11</b>         | <b>11</b> | 807                              | 1079           | 1211           | 2544           | 19           | 2.1                | TEMW 070 160 11 101 |
|                     | <b>16</b>         | <b>16</b> | 1115                             | 1501           | 1690           | 3616           | 24           | 3.2                | TEMW 070 160 16 101 |
|                     | <b>21</b>         | <b>21</b> | 1531                             | 2074           | 2340           | 5083           | 29           | 4.3                | TEMW 070 160 21 101 |
| <b>180</b>          | <b>11</b>         | <b>11</b> | 908                              | 1214           | 1363           | 2862           | 21           | 2.4                | TEMW 070 180 11 101 |
|                     | <b>16</b>         | <b>16</b> | 1254                             | 1689           | 1901           | 4068           | 26           | 3.6                | TEMW 070 180 16 101 |
|                     | <b>21</b>         | <b>21</b> | 1723                             | 2333           | 2633           | 5719           | 32           | 4.8                | TEMW 070 180 21 101 |
| <b>200</b>          | <b>11</b>         | <b>11</b> | 1009                             | 1349           | 1514           | 3180           | 23           | 2.7                | TEMW 070 200 11 101 |
|                     | <b>16</b>         | <b>16</b> | 1394                             | 1876           | 2112           | 4520           | 28           | 4.0                | TEMW 070 200 16 101 |
|                     | <b>21</b>         | <b>21</b> | 1914                             | 2592           | 2925           | 6354           | 35           | 5.3                | TEMW 070 200 21 101 |
| <b>220</b>          | <b>11</b>         | <b>11</b> | 1110                             | 1484           | 1665           | 3498           | 25           | 2.9                | TEMW 070 220 11 101 |
|                     | <b>16</b>         | <b>16</b> | 1533                             | 2064           | 2323           | 4972           | 31           | 4.4                | TEMW 070 220 16 101 |
|                     | <b>21</b>         | <b>21</b> | 2106                             | 2852           | 3217           | 6989           | 37           | 5.9                | TEMW 070 220 21 101 |
| <b>240</b>          | <b>11</b>         | <b>11</b> | 1211                             | 1619           | 1817           | 3816           | 28           | 3.2                | TEMW 070 240 11 101 |
|                     | <b>16</b>         | <b>16</b> | 1672                             | 2252           | 2535           | 5424           | 34           | 4.8                | TEMW 070 240 16 101 |
|                     | <b>21</b>         | <b>21</b> | 2297                             | 3111           | 3510           | 7625           | 41           | 6.4                | TEMW 070 240 21 101 |
| <b>260</b>          | <b>11</b>         | <b>11</b> | 1312                             | 1753           | 1968           | 4134           | 30           | 3.5                | TEMW 070 260 11 101 |
|                     | <b>16</b>         | <b>16</b> | 1812                             | 2439           | 2746           | 5876           | 36           | 5.1                | TEMW 070 260 16 101 |
|                     | <b>21</b>         | <b>21</b> | 2488                             | 3370           | 3802           | 8260           | 44           | 6.9                | TEMW 070 260 21 101 |
| <b>280</b>          | <b>11</b>         | <b>11</b> | 1413                             | 1888           | 2119           | 4452           | 32           | 3.7                | TEMW 070 280 11 101 |
|                     | <b>16</b>         | <b>16</b> | 1951                             | 2627           | 2957           | 6328           | 38           | 5.5                | TEMW 070 280 16 101 |
|                     | <b>21</b>         | <b>21</b> | 2680                             | 3630           | 4095           | 8896           | 47           | 7.4                | TEMW 070 280 21 101 |
| <b>300</b>          | <b>11</b>         | <b>11</b> | 1514                             | 2023           | 2271           | 4770           | 34           | 4.0                | TEMW 070 300 11 101 |
|                     | <b>16</b>         | <b>16</b> | 2091                             | 2815           | 3168           | 6780           | 41           | 5.9                | TEMW 070 300 16 101 |
|                     | <b>21</b>         | <b>21</b> | 2871                             | 3889           | 4387           | 9531           | 50           | 8.0                | TEMW 070 300 21 101 |

EN442 output at 20°C

# TEMPO HEIGHT 090 (STANDARD)

# TECHNICAL TABLE

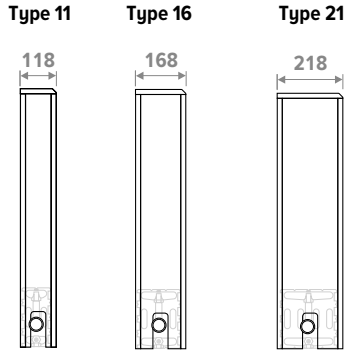


| HEIGHT<br>H<br>cm | LENGTH<br>L<br>cm | TYPE<br>T | HEATING<br>Room temperature 20°C |                |                |                | WEIGHT<br>kg | WATER CONTENT<br>L | ORDER CODE          |
|-------------------|-------------------|-----------|----------------------------------|----------------|----------------|----------------|--------------|--------------------|---------------------|
|                   |                   |           | 45/40<br>Watts                   | 50/45<br>Watts | 55/45<br>Watts | 75/65<br>Watts |              |                    |                     |
| <b>TEMW 090</b>   | <b>050</b>        | <b>10</b> | 233                              | 306            | 341            | 685            | 9            | 0.3                | TEMW 090 050 10 101 |
|                   |                   | <b>15</b> | 367                              | 480            | 534            | 1060           | 11           | 0.5                | TEMW 090 050 15 101 |
|                   |                   | <b>20</b> | 512                              | 670            | 745            | 1479           | 13           | 0.7                | TEMW 090 050 20 101 |
| <b>060</b>        | <b>10</b>         | <b>10</b> | 280                              | 367            | 409            | 821            | 10           | 0.4                | TEMW 090 060 10 101 |
|                   |                   | <b>15</b> | 441                              | 576            | 641            | 1272           | 12           | 0.6                | TEMW 090 060 15 101 |
|                   |                   | <b>20</b> | 615                              | 804            | 894            | 1774           | 14           | 0.8                | TEMW 090 060 20 101 |
| <b>070</b>        | <b>10</b>         | <b>10</b> | 326                              | 428            | 477            | 958            | 11           | 0.5                | TEMW 090 070 10 101 |
|                   |                   | <b>15</b> | 514                              | 672            | 748            | 1484           | 13           | 0.7                | TEMW 090 070 15 101 |
|                   |                   | <b>20</b> | 717                              | 938            | 1043           | 2070           | 15           | 0.9                | TEMW 090 070 20 101 |
| <b>080</b>        | <b>10</b>         | <b>10</b> | 373                              | 490            | 546            | 1095           | 12           | 0.5                | TEMW 090 080 10 101 |
|                   |                   | <b>15</b> | 588                              | 768            | 855            | 1696           | 14           | 0.8                | TEMW 090 080 15 101 |
|                   |                   | <b>20</b> | 820                              | 1072           | 1192           | 2366           | 16           | 1.1                | TEMW 090 080 20 101 |
| <b>090</b>        | <b>10</b>         | <b>10</b> | 419                              | 551            | 614            | 1232           | 13           | 0.6                | TEMW 090 090 10 101 |
|                   |                   | <b>15</b> | 661                              | 864            | 961            | 1908           | 16           | 0.9                | TEMW 090 090 15 101 |
|                   |                   | <b>20</b> | 922                              | 1205           | 1341           | 2661           | 18           | 1.2                | TEMW 090 090 20 101 |
| <b>100</b>        | <b>10</b>         | <b>10</b> | 466                              | 612            | 682            | 1369           | 14           | 0.7                | TEMW 090 100 10 101 |
|                   |                   | <b>15</b> | 735                              | 960            | 1068           | 2120           | 17           | 1.0                | TEMW 090 100 15 101 |
|                   |                   | <b>20</b> | 1025                             | 1339           | 1490           | 2957           | 19           | 1.3                | TEMW 090 100 20 101 |
| <b>110</b>        | <b>10</b>         | <b>10</b> | 513                              | 673            | 750            | 1506           | 15           | 0.7                | TEMW 090 110 10 101 |
|                   |                   | <b>15</b> | 808                              | 1056           | 1175           | 2332           | 18           | 1.1                | TEMW 090 110 15 101 |
|                   |                   | <b>20</b> | 1127                             | 1473           | 1639           | 3253           | 20           | 1.5                | TEMW 090 110 20 101 |
| <b>120</b>        | <b>10</b>         | <b>10</b> | 559                              | 734            | 819            | 1643           | 16           | 0.8                | TEMW 090 120 10 101 |
|                   |                   | <b>15</b> | 881                              | 1152           | 1282           | 2544           | 19           | 1.2                | TEMW 090 120 15 101 |
|                   |                   | <b>20</b> | 1229                             | 1607           | 1788           | 3548           | 22           | 1.6                | TEMW 090 120 20 101 |
| <b>140</b>        | <b>10</b>         | <b>10</b> | 653                              | 857            | 955            | 1917           | 19           | 0.9                | TEMW 090 140 10 101 |
|                   |                   | <b>15</b> | 1028                             | 1344           | 1496           | 2968           | 23           | 1.4                | TEMW 090 140 15 101 |
|                   |                   | <b>20</b> | 1435                             | 1875           | 2086           | 4140           | 26           | 1.8                | TEMW 090 140 20 101 |
| <b>160</b>        | <b>10</b>         | <b>10</b> | 746                              | 979            | 1091           | 2190           | 21           | 1.0                | TEMW 090 160 10 101 |
|                   |                   | <b>15</b> | 1175                             | 1536           | 1709           | 3392           | 25           | 1.6                | TEMW 090 160 15 101 |
|                   |                   | <b>20</b> | 1639                             | 2143           | 2384           | 4731           | 28           | 2.1                | TEMW 090 160 20 101 |
| <b>180</b>        | <b>10</b>         | <b>10</b> | 839                              | 1102           | 1228           | 2464           | 23           | 1.2                | TEMW 090 180 10 101 |
|                   |                   | <b>15</b> | 1322                             | 1728           | 1923           | 3816           | 27           | 1.8                | TEMW 090 180 15 101 |
|                   |                   | <b>20</b> | 1844                             | 2411           | 2682           | 5323           | 31           | 2.4                | TEMW 090 180 20 101 |
| <b>200</b>        | <b>10</b>         | <b>10</b> | 932                              | 1224           | 1364           | 2738           | 25           | 1.3                | TEMW 090 200 10 101 |
|                   |                   | <b>15</b> | 1469                             | 1921           | 2137           | 4240           | 29           | 2.0                | TEMW 090 200 15 101 |
|                   |                   | <b>20</b> | 2049                             | 2679           | 2980           | 5914           | 33           | 2.6                | TEMW 090 200 20 101 |
| <b>220</b>        | <b>10</b>         | <b>10</b> | 1025                             | 1346           | 1501           | 3012           | 27           | 1.4                | TEMW 090 220 10 101 |
|                   |                   | <b>15</b> | 1616                             | 2113           | 2350           | 4664           | 32           | 2.2                | TEMW 090 220 15 101 |
|                   |                   | <b>20</b> | 2254                             | 2946           | 3278           | 6505           | 36           | 2.9                | TEMW 090 220 20 101 |
| <b>240</b>        | <b>10</b>         | <b>10</b> | 1119                             | 1469           | 1637           | 3286           | 30           | 1.6                | TEMW 090 240 10 101 |
|                   |                   | <b>15</b> | 1763                             | 2305           | 2564           | 5088           | 35           | 2.4                | TEMW 090 240 15 101 |
|                   |                   | <b>20</b> | 2459                             | 3215           | 3576           | 7097           | 40           | 3.2                | TEMW 090 240 20 101 |
| <b>260</b>        | <b>10</b>         | <b>10</b> | 1212                             | 1591           | 1773           | 3559           | 32           | 1.7                | TEMW 090 260 10 101 |
|                   |                   | <b>15</b> | 1910                             | 2497           | 2778           | 5512           | 38           | 2.5                | TEMW 090 260 15 101 |
|                   |                   | <b>20</b> | 2664                             | 3482           | 3874           | 7688           | 42           | 3.4                | TEMW 090 260 20 101 |
| <b>280</b>        | <b>10</b>         | <b>10</b> | 1305                             | 1714           | 1910           | 3833           | 34           | 1.8                | TEMW 090 280 10 101 |
|                   |                   | <b>15</b> | 2057                             | 2689           | 2991           | 5936           | 40           | 2.7                | TEMW 090 280 15 101 |
|                   |                   | <b>20</b> | 2869                             | 3750           | 4172           | 8280           | 45           | 3.7                | TEMW 090 280 20 101 |
| <b>300</b>        | <b>10</b>         | <b>10</b> | 1398                             | 1836           | 2046           | 4107           | 36           | 2.0                | TEMW 090 300 10 101 |
|                   |                   | <b>15</b> | 2204                             | 2881           | 3205           | 6360           | 42           | 2.9                | TEMW 090 300 15 101 |
|                   |                   | <b>20</b> | 3074                             | 4018           | 4470           | 8871           | 47           | 4.0                | TEMW 090 300 20 101 |

EN442 output at 20°C

# TEMPO HEIGHT 090 (TWIN)

# TECHNICAL TABLE



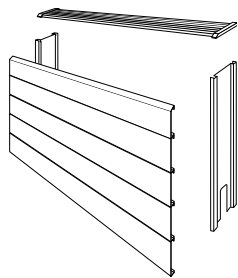
| HEIGHT<br>H<br>cm | LENGTH<br>L<br>cm | TYPE<br>T | HEATING<br>Room temperature 20°C |                |                |                | WEIGHT<br>WATER CONTENT |     | ORDER CODE          |
|-------------------|-------------------|-----------|----------------------------------|----------------|----------------|----------------|-------------------------|-----|---------------------|
|                   |                   |           | 45/40<br>Watts                   | 50/45<br>Watts | 55/45<br>Watts | 75/65<br>Watts | kg                      | L   |                     |
| TEMW 090 050      | 11                | 11        | 279                              | 373            | 419            | 879            | 10                      | 0.7 | TEMW 090 050 11 101 |
|                   | 16                | 16        | 398                              | 536            | 604            | 1298           | 13                      | 1.0 | TEMW 090 050 16 101 |
|                   | 21                | 21        | 560                              | 761            | 860            | 1885           | 14                      | 1.3 | TEMW 090 050 21 101 |
| 060               | 11                | 11        | 335                              | 448            | 503            | 1055           | 11                      | 0.8 | TEMW 090 060 11 101 |
|                   | 16                | 16        | 477                              | 644            | 725            | 1558           | 14                      | 1.2 | TEMW 090 060 16 101 |
|                   | 21                | 21        | 672                              | 914            | 1032           | 2262           | 16                      | 1.6 | TEMW 090 060 21 101 |
| 070               | 11                | 11        | 391                              | 523            | 587            | 1231           | 12                      | 0.9 | TEMW 090 070 11 101 |
|                   | 16                | 16        | 557                              | 751            | 846            | 1817           | 15                      | 1.4 | TEMW 090 070 16 101 |
|                   | 21                | 21        | 784                              | 1066           | 1204           | 2639           | 17                      | 1.9 | TEMW 090 070 21 101 |
| 080               | 11                | 11        | 447                              | 597            | 670            | 1406           | 13                      | 1.1 | TEMW 090 080 11 101 |
|                   | 16                | 16        | 636                              | 858            | 967            | 2077           | 16                      | 1.6 | TEMW 090 080 16 101 |
|                   | 21                | 21        | 896                              | 1218           | 1376           | 3016           | 19                      | 2.1 | TEMW 090 080 21 101 |
| 090               | 11                | 11        | 503                              | 672            | 754            | 1582           | 14                      | 1.2 | TEMW 090 090 11 101 |
|                   | 16                | 16        | 716                              | 965            | 1087           | 2336           | 18                      | 1.8 | TEMW 090 090 16 101 |
|                   | 21                | 21        | 1008                             | 1370           | 1548           | 3393           | 21                      | 2.4 | TEMW 090 090 21 101 |
| 100               | 11                | 11        | 559                              | 747            | 838            | 1758           | 15                      | 1.3 | TEMW 090 100 11 101 |
|                   | 16                | 16        | 795                              | 1073           | 1208           | 2596           | 19                      | 2.0 | TEMW 090 100 16 101 |
|                   | 21                | 21        | 1120                             | 1523           | 1720           | 3770           | 22                      | 2.7 | TEMW 090 100 21 101 |
| 110               | 11                | 11        | 615                              | 821            | 922            | 1934           | 17                      | 1.5 | TEMW 090 110 11 101 |
|                   | 16                | 16        | 875                              | 1180           | 1329           | 2856           | 20                      | 2.2 | TEMW 090 110 16 101 |
|                   | 21                | 21        | 1233                             | 1675           | 1892           | 4147           | 23                      | 2.9 | TEMW 090 110 21 101 |
| 120               | 11                | 11        | 671                              | 896            | 1006           | 2110           | 18                      | 1.6 | TEMW 090 120 11 101 |
|                   | 16                | 16        | 954                              | 1287           | 1450           | 3115           | 22                      | 2.4 | TEMW 090 120 16 101 |
|                   | 21                | 21        | 1345                             | 1827           | 2064           | 4524           | 25                      | 3.2 | TEMW 090 120 21 101 |
| 140               | 11                | 11        | 782                              | 1045           | 1173           | 2461           | 21                      | 1.9 | TEMW 090 140 11 101 |
|                   | 16                | 16        | 1113                             | 1501           | 1691           | 3634           | 27                      | 2.8 | TEMW 090 140 16 101 |
|                   | 21                | 21        | 1569                             | 2132           | 2408           | 5278           | 31                      | 3.7 | TEMW 090 140 21 101 |
| 160               | 11                | 11        | 894                              | 1195           | 1341           | 2813           | 23                      | 2.1 | TEMW 090 160 11 101 |
|                   | 16                | 16        | 1273                             | 1716           | 1933           | 4154           | 29                      | 3.2 | TEMW 090 160 16 101 |
|                   | 21                | 21        | 1793                             | 2436           | 2752           | 6032           | 33                      | 4.3 | TEMW 090 160 21 101 |
| 180               | 11                | 11        | 1006                             | 1344           | 1508           | 3164           | 26                      | 2.4 | TEMW 090 180 11 101 |
|                   | 16                | 16        | 1432                             | 1931           | 2175           | 4673           | 31                      | 3.6 | TEMW 090 180 16 101 |
|                   | 21                | 21        | 2017                             | 2741           | 3097           | 6786           | 36                      | 4.8 | TEMW 090 180 21 101 |
| 200               | 11                | 11        | 1118                             | 1493           | 1676           | 3516           | 28                      | 2.7 | TEMW 090 200 11 101 |
|                   | 16                | 16        | 1591                             | 2145           | 2416           | 5192           | 33                      | 4.0 | TEMW 090 200 16 101 |
|                   | 21                | 21        | 2241                             | 3045           | 3441           | 7540           | 39                      | 5.3 | TEMW 090 200 21 101 |
| 220               | 11                | 11        | 1229                             | 1643           | 1843           | 3868           | 30                      | 2.9 | TEMW 090 220 11 101 |
|                   | 16                | 16        | 1750                             | 2360           | 2658           | 5711           | 36                      | 4.4 | TEMW 090 220 16 101 |
|                   | 21                | 21        | 2465                             | 3350           | 3785           | 8294           | 42                      | 5.9 | TEMW 090 220 21 101 |
| 240               | 11                | 11        | 1341                             | 1792           | 2011           | 4219           | 34                      | 3.2 | TEMW 090 240 11 101 |
|                   | 16                | 16        | 1909                             | 2574           | 2899           | 6230           | 40                      | 4.8 | TEMW 090 240 16 101 |
|                   | 21                | 21        | 2689                             | 3654           | 4129           | 9048           | 47                      | 6.4 | TEMW 090 240 21 101 |
| 260               | 11                | 11        | 1453                             | 1941           | 2178           | 4571           | 36                      | 3.5 | TEMW 090 260 11 101 |
|                   | 16                | 16        | 2068                             | 2789           | 3141           | 6750           | 43                      | 5.1 | TEMW 090 260 16 101 |
|                   | 21                | 21        | 2913                             | 3959           | 4473           | 9802           | 50                      | 6.9 | TEMW 090 260 21 101 |
| 280               | 11                | 11        | 1564                             | 2090           | 2346           | 4922           | 38                      | 3.7 | TEMW 090 280 11 101 |
|                   | 16                | 16        | 2227                             | 3003           | 3383           | 7269           | 45                      | 5.5 | TEMW 090 280 16 101 |
|                   | 21                | 21        | 3137                             | 4263           | 4817           | 10556          | 53                      | 7.4 | TEMW 090 280 21 101 |
| 300               | 11                | 11        | 1676                             | 2240           | 2513           | 5274           | 40                      | 4.0 | TEMW 090 300 11 101 |
|                   | 16                | 16        | 2386                             | 3218           | 3624           | 7788           | 48                      | 5.9 | TEMW 090 300 16 101 |
|                   | 21                | 21        | 3361                             | 4568           | 5161           | 11310          | 56                      | 8.0 | TEMW 090 300 21 101 |

EN442 output at 20°C

# TEMPO

# PARTS

## CASING



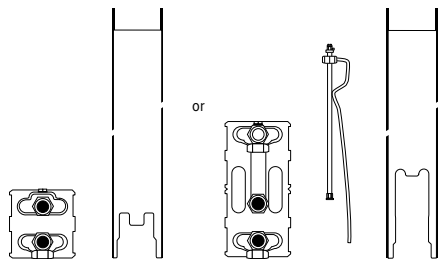
### STANDARD DELIVERY:

- grille
- Panneaux frontaux et panneau supérieur
- 2 sides (1 open and 1 closed)
- colour 101

### ORDER CODE

CTEW 020 050 10 101  
 Type  
 Length  
 Height

## HEATING SET



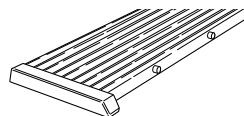
### STANDARD DELIVERY:

- heat exchanger
- wall brackets
- angled air vent (for types 10, 15 and 20) or extended air vent (for types 11, 16 and 21)
- mounting set
- 1/2" drain cock

### ORDER CODE

HTEW 020 050 10  
 Type  
 Length  
 Height

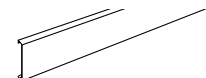
## GRILLE



### ORDER CODE

5603 000 050 10 101  
 Type  
 Length

## SEPARATE FRONT PLATE (Height 10 cm, identical for all casings)



### ORDER CODE

5504 000 050 00 101  
 Length

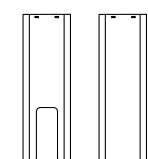
## SEPARATE TOP PLATE (Height 10 cm, identical for all casings)



### ORDER CODE

5505 000 050 00 101  
 Length

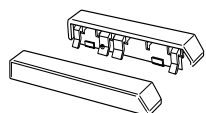
## SIDES (open / closed in pairs)



### ORDER CODE

5707 020 000 10 101  
 Type  
 Height

## SYNTHETIC CORNER PIECE (IN PAIRS LEFT / RIGHT)



### ORDER CODE

5604 000 000 10  
 Type



The indicated outputs at  $\Delta T$  50 are exact values, measured in accordance with EN442. This table provides a calculated value using an average correction factor for all other  $\Delta T$  outputs, valid for all dimensions.

Click [www.jaga.com/selection-tools/](http://www.jaga.com/selection-tools/) to download the calculation tools with the exact outputs. The online calculation tools are kept up to date with the most recent data. Minor output differences between printed tables and the different online calculation tools are therefore completely normal and within the margins of tolerance imposed by the standard.

## AVERAGE CORRECTION FACTORS FOR STATIC PRODUCTS ACCORDING TO EN442 - 75/65/20°C

room temperature: 20°C Average N-value: 1.36

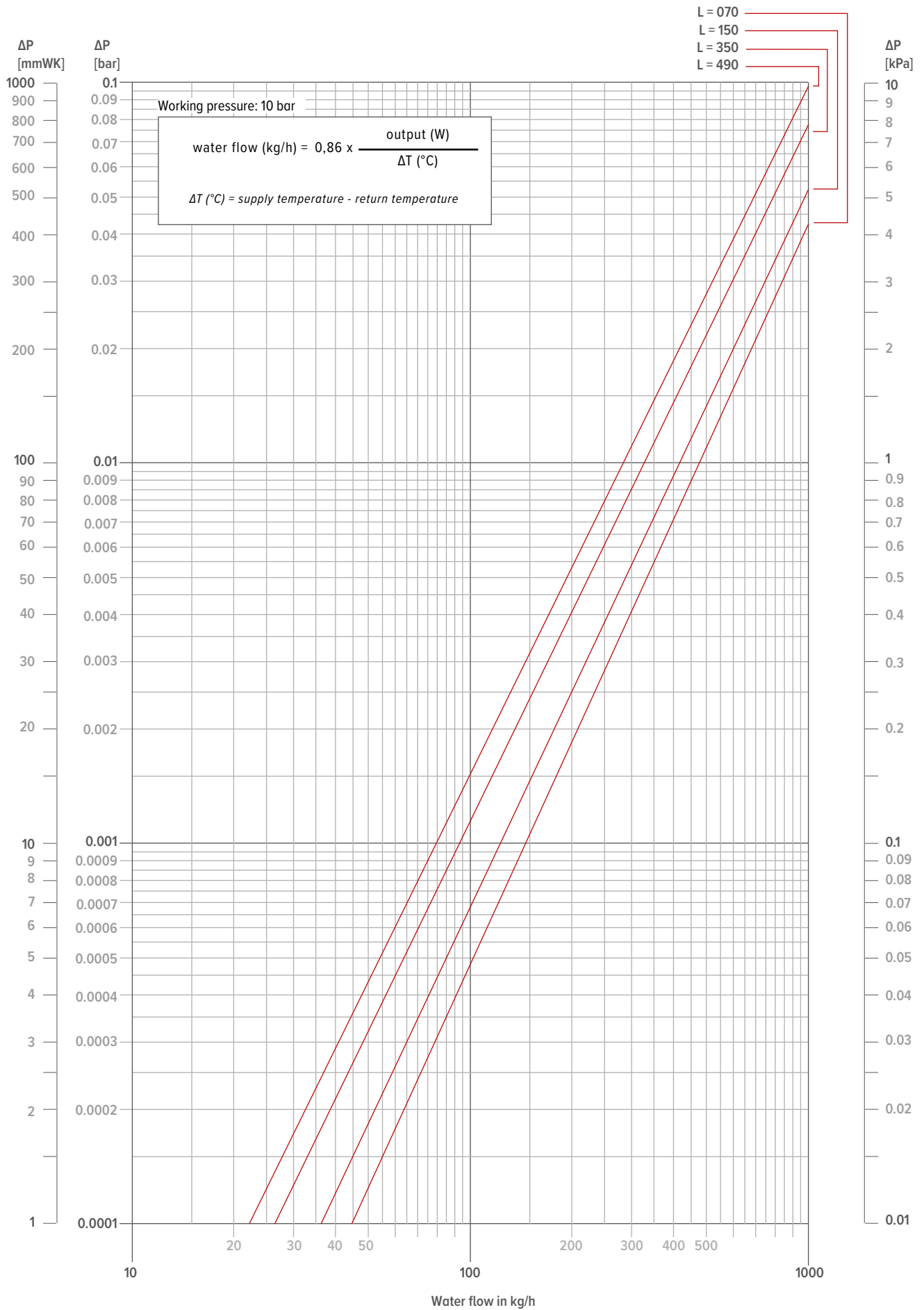
| TA | TR | 65   | 60   | 55   | 50   | 45   | 40   | 35   | 30   | 25   |
|----|----|------|------|------|------|------|------|------|------|------|
| 75 |    | 1.00 | 0.93 | 0.85 | 0.77 | 0.69 | 0.61 | 0.52 | 0.42 | 0.31 |
| 70 |    | 0.94 | 0.87 | 0.79 | 0.72 | 0.64 | 0.56 | 0.48 | 0.39 | 0.28 |
| 65 |    |      | 0.80 | 0.74 | 0.67 | 0.60 | 0.52 | 0.44 | 0.35 | 0.25 |
| 60 |    |      |      | 0.68 | 0.61 | 0.55 | 0.48 | 0.40 | 0.32 | 0.23 |
| 55 |    |      |      |      | 0.56 | 0.50 | 0.43 | 0.36 | 0.29 | 0.20 |
| 50 |    |      |      |      |      | 0.44 | 0.38 | 0.32 | 0.25 | 0.18 |
| 45 |    |      |      |      |      |      | 0.34 | 0.28 | 0.22 | 0.15 |
| 40 |    |      |      |      |      |      |      | 0.24 | 0.19 | 0.13 |
| 35 |    |      |      |      |      |      |      |      | 0.15 | 0.10 |
| 30 |    |      |      |      |      |      |      |      |      | 0.07 |

room temperature: 24°C Average N-value: 1.36

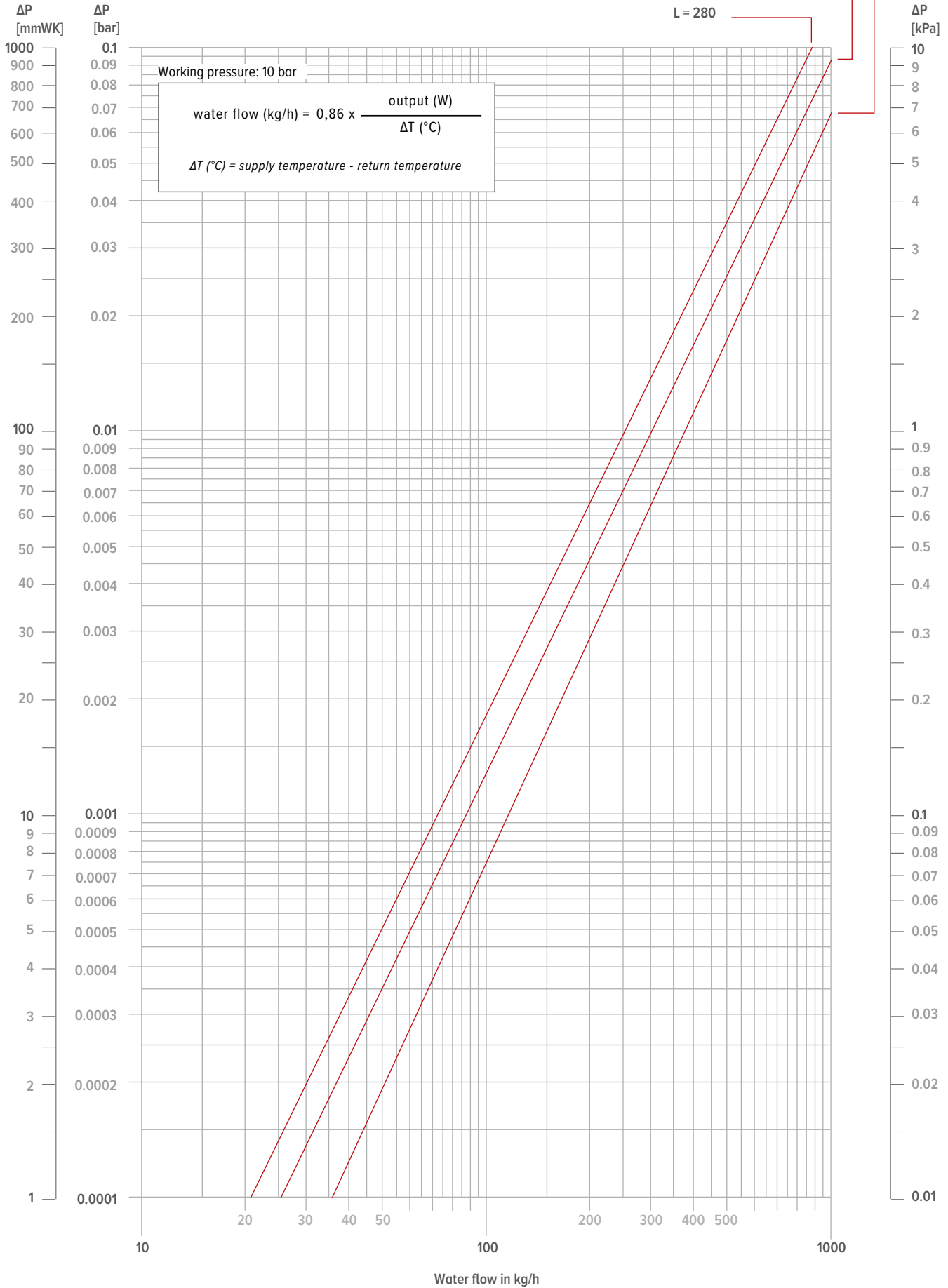
| TA | TR | 65   | 60   | 55   | 50   | 45   | 40   | 35   | 30   | 25   |
|----|----|------|------|------|------|------|------|------|------|------|
| 75 |    | 0.89 | 0.82 | 0.75 | 0.67 | 0.59 | 0.51 | 0.41 | 0.31 | 0.16 |
| 70 |    | 0.83 | 0.76 | 0.69 | 0.62 | 0.54 | 0.47 | 0.38 | 0.28 | 0.14 |
| 65 |    |      | 0.70 | 0.64 | 0.57 | 0.50 | 0.43 | 0.35 | 0.25 | 0.12 |
| 60 |    |      |      | 0.58 | 0.52 | 0.45 | 0.38 | 0.31 | 0.23 | 0.11 |
| 55 |    |      |      |      | 0.47 | 0.41 | 0.34 | 0.28 | 0.20 | 0.09 |
| 50 |    |      |      |      |      | 0.36 | 0.30 | 0.24 | 0.17 | 0.08 |
| 45 |    |      |      |      |      |      | 0.26 | 0.20 | 0.14 | 0.06 |
| 40 |    |      |      |      |      |      |      | 0.17 | 0.12 | 0.05 |
| 35 |    |      |      |      |      |      |      |      | 0.09 | 0.03 |
| 30 |    |      |      |      |      |      |      |      |      | 0.02 |

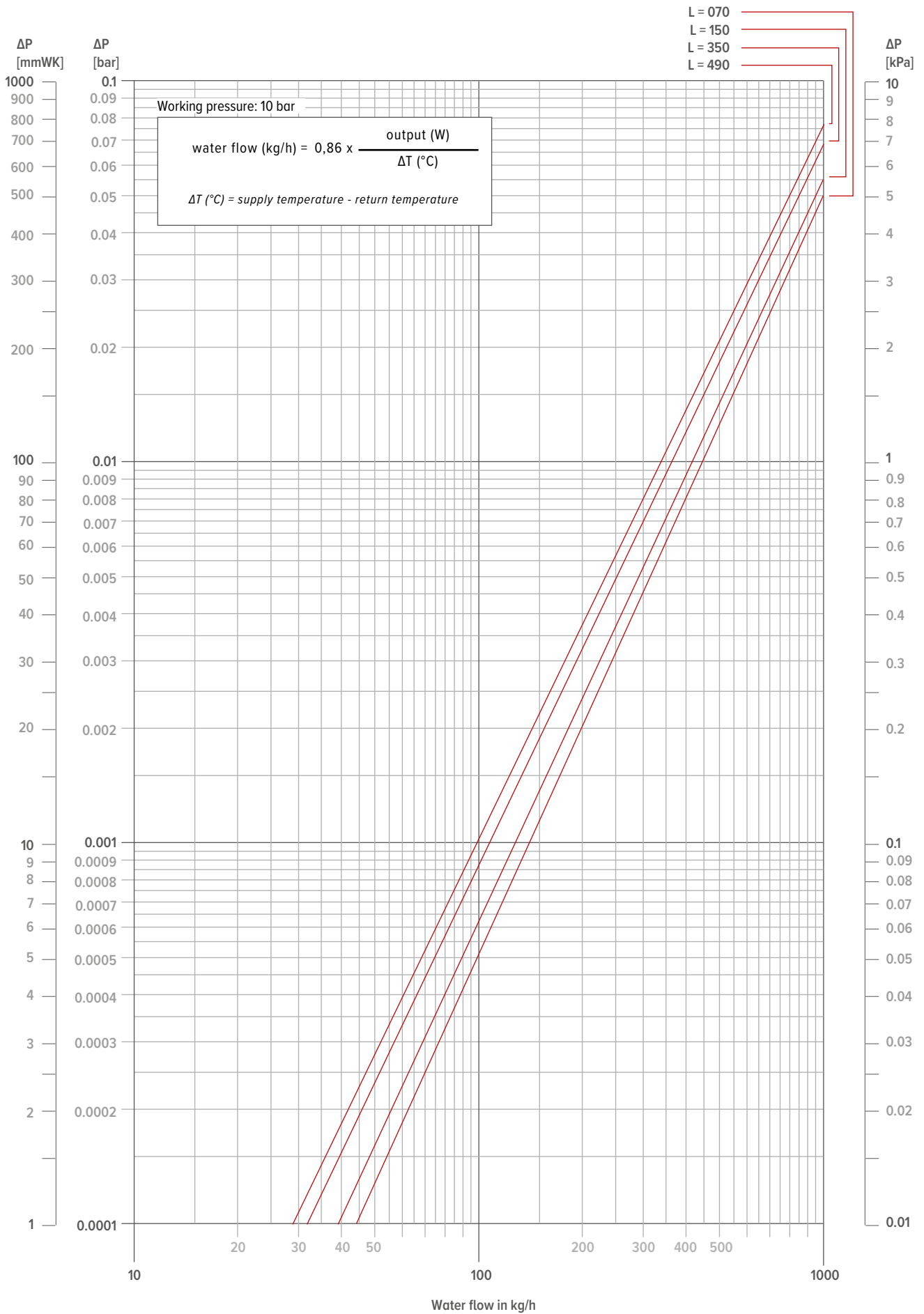
Average corrective index for Strada (without DBH). Exact corrective index for Strada or Strada Hybrid: see selection tools

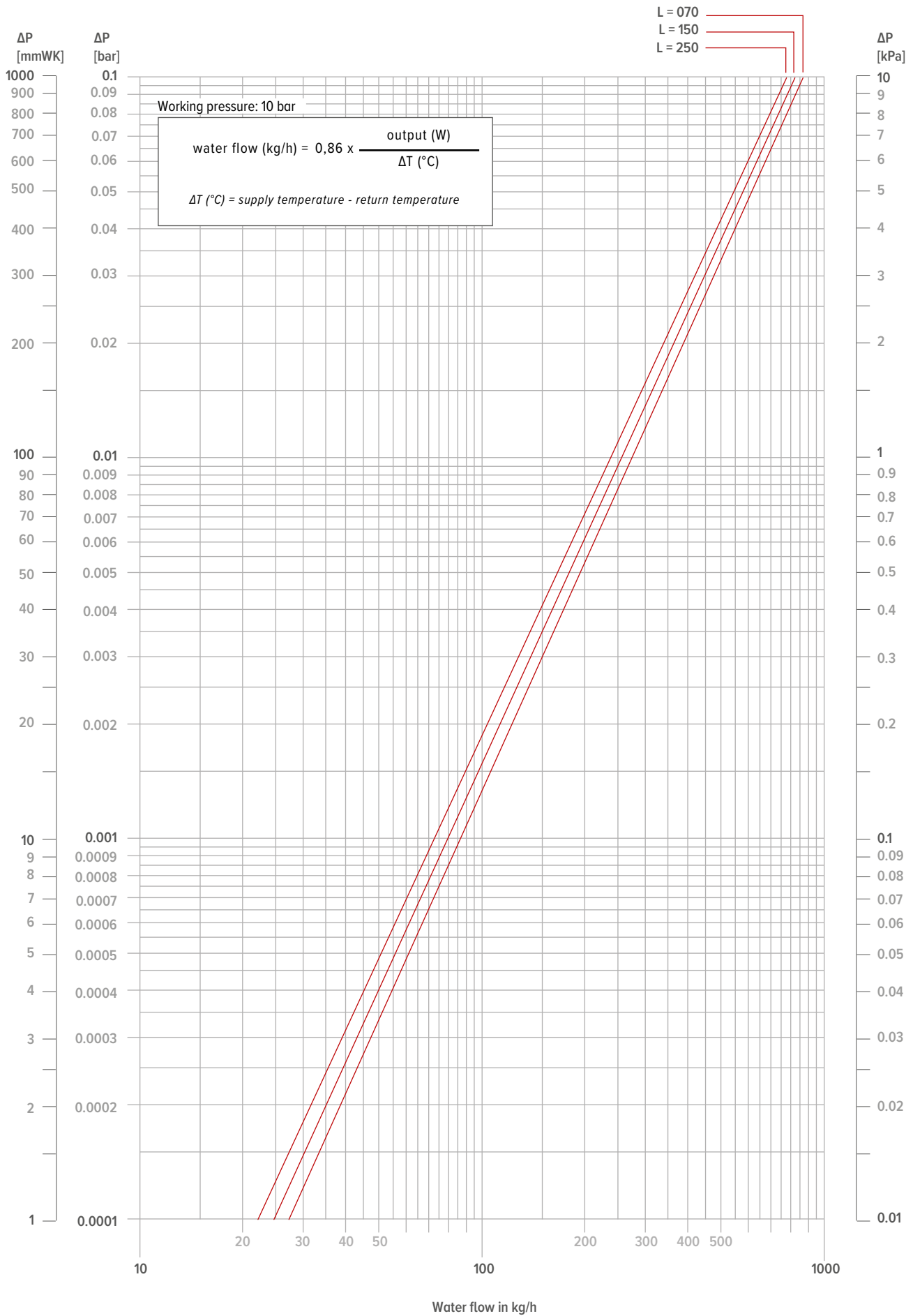


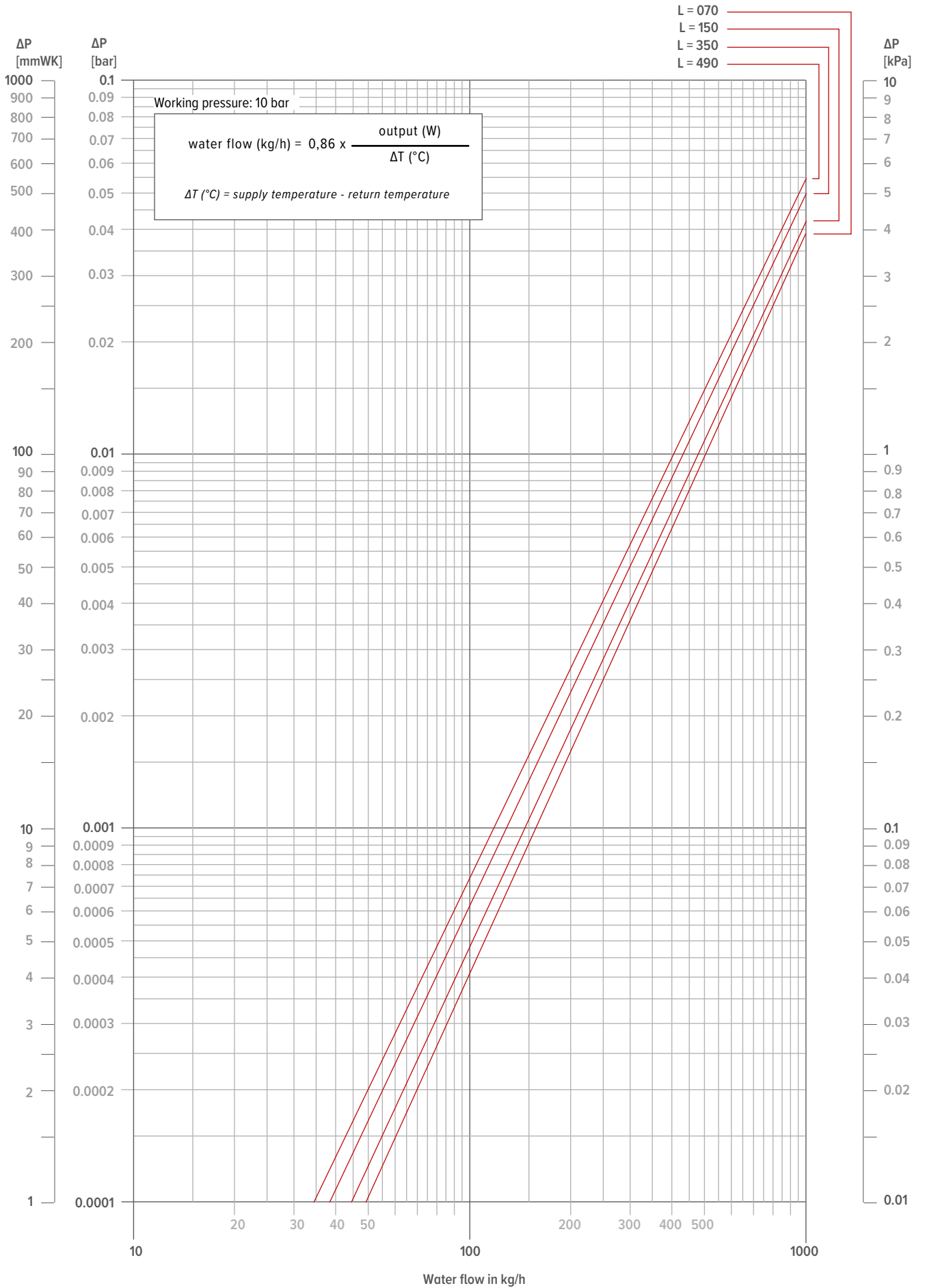


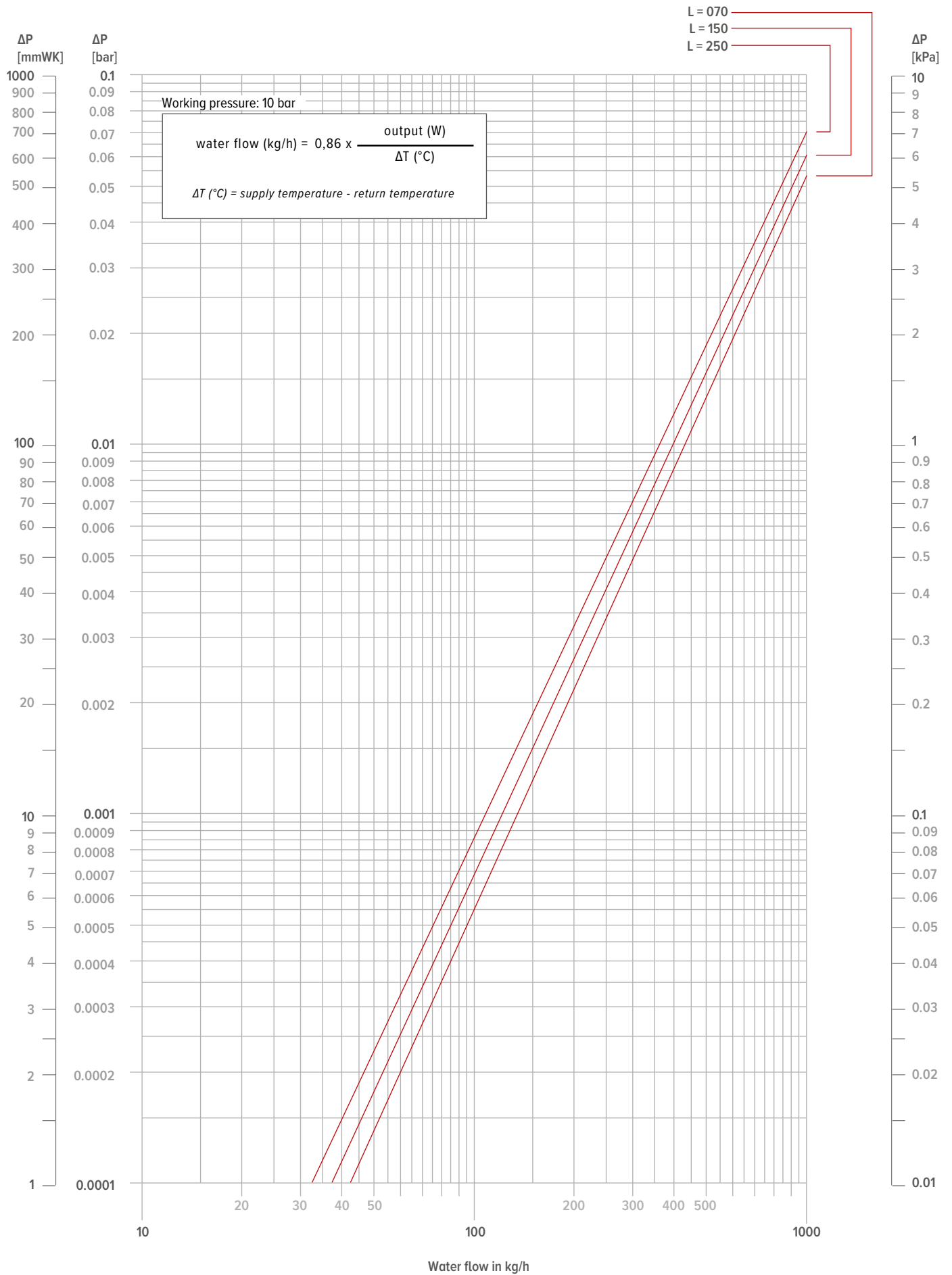
L = 070  
 L = 150  
 L = 280















**jaga**

CLIMATE  
DESIGNERS

**JAGA INTERNATIONAL JAGA NV**

In need of some advice? Make an appointment at the Jaga Advice Centre.

Verbindingslaan 16  
3590 Diepenbeek

+32 (0) 11 29 41 12

export@jaga.be  
jaga.com