



jaga
CLIMATE DESIGNERS



STRADA HYBRID



STRADA HYBRID

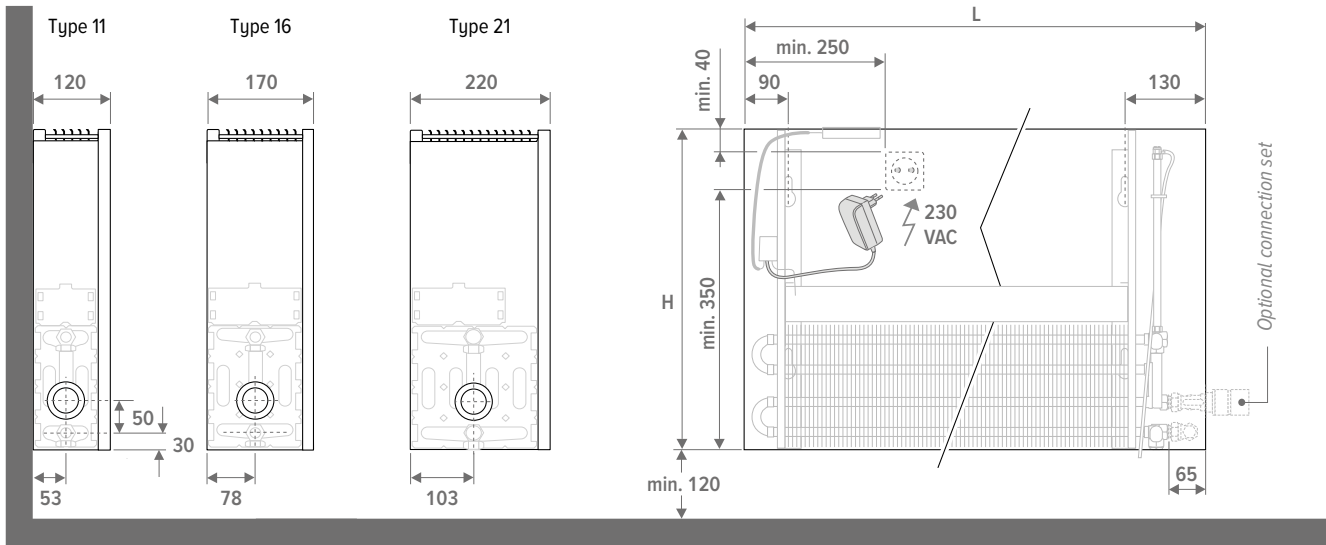
CONTENT	3
TECHNICAL INFORMATION	5
Dimensions	5
Optional towel rail	5
CONTROL SYSTEMS	6
Which Jaga control system to choose	7
Hydronic connection	8
Connection left or right.	8
Controls below Standard)	8
Controls at the top	8
With remote control	8
Most used connection sets	9
Technical table	10
Height 035	10
Height 050	12
Height 065	14
Height 095	16
Parts	17
Correction factors	20
Guideline for limiting flow noise	20
Pressure drop	21
Type 11	21
Type 16	22
Type 21	23



STRADA HYBRID



DIMENSIONS (in mm)



STANDARD DELIVERY

- Low-H₂O heat exchanger with wall brackets and fixing kit, air vent 1/8" and drain plug 1/2"
- partially assembled casing for a connection on the bottom left or bottom right
- cover plate in stainless steel effect for the side panel at the opposite end from the valve
- easy to install fan unit with operation, control and 24VDC power supply

! This heater is not equipped with a condensation monitor. It has to be integrated into the installation (only for cooling).

COLOURS

Eco-friendly, scratch-resistant powder coating with high UV-resistance

Standard colours

- traffic white RAL 9016 (133), soft touch lightly structured satin lacquer
- sandblast grey (001), fine texture metallic lak
- off-black (145), soft touch lightly-textured satin lacquer

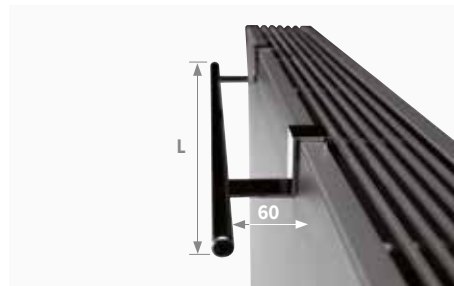
Other colours

see Jaga colour chart.

Surcharge depends on the length of the unit:

- Length < 100 cm
- Length of 100 cm to 200 cm
- Length > 200 cm

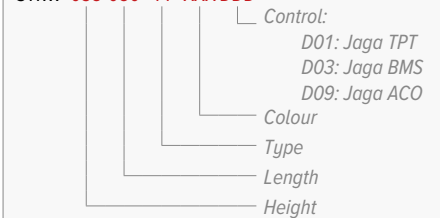
TOWEL RAIL










CODE	L	
5501 001	560	in chrome-plated aluminium
5501 002	660	in chrome-plated aluminium

ORDER CODE

STRW 035 050 11 XXX DDD





TYPE	POSITION	CONTROL PANEL	EXTERNAL 0-10 V CONTROL	WATER TEMPERATURE SENSOR	AIR TEMPERATURE SENSOR
Jaga ACO (D09)	  	✓	-	✓	✓
Jaga BMS 0-10V control (D03)	 	-	✓	✓	-
Jaga TPT (D01)	 	✓	-	✓	✓

JAGA ACO (D09)

- The fan speed is selected manually in 3 modes via the control panel.
- When the water temperature is lower than 24°C and the air is warmer than the water in the heat exchanger, the fans will start. The unit will then cool the area.
- When the water temperature is higher than 28°C and the air is colder than the water, the fans will start. The unit will then heat the area.
- The unit will **automatically switch** from heating to cooling and to standby mode.

JAGA BMS 0-10V CONTROL (D03)

- The fan speed is only **controlled by a 0-10V (DC) signal** via an external control system that is installed into the electronics of the unit. The 0-10V signal can come from a Jaga thermostat or another home automation or building management system.
- When the control voltage is 1V or higher and the water temperature is higher than 28°C or lower than 24°C, the fans will start rotating. The rotational speed will increase proportionally with the configured control voltage. At 10V control voltage, the fans will rotate at maximum rotational speed.
- When a Hybrid unit with Jaga BMS control is equipped with a **thermoelectric valve motor** connected to the internal electronics, the valve will open when the control voltage exceeds 1V.

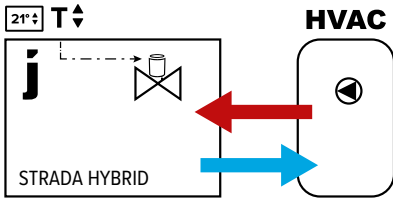
JAGA TPT (D01)

- The fan speed is automatically controlled in function of the preset comfort temperature via the fingertip controls. This allows the unit to be very silent once the comfort temperature is reached.
- When a Hybrid unit with Jaga TPT control is equipped with a thermoelectric valve motor connected to the internal electronics, the unit will take over the function of room thermostat. Based on the room temperature measurement, the unit will then switch on or off the water flow through the unit itself.
- If you wish to **set the room temperature** via another system that enables or disables the water flow through the unit, you do not need to connect a thermoelectric valve motor to the internal controller. The TPT controller will then only control the fan rotational speed based on the set comfort temperature. Intuitively, you will then use the fingertip control to get more or less fan support when the comfort temperature is reached.
- When the water temperature in the heat exchanger is lower than 24°C, the fans will start. The unit will cool the area.
- When the water temperature is higher than 28°C, the fans will start. The unit will heat the area.

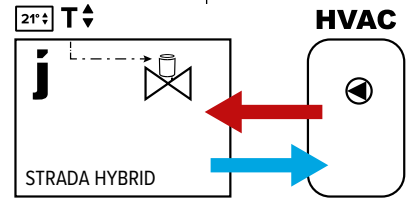


Would you like the unit to have room temperature control?

Yes, unit with integrated room temperature control
Fans will start automatically when the internal control sends warm/cold water through the radiator.

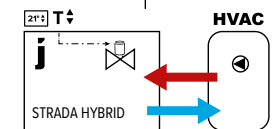
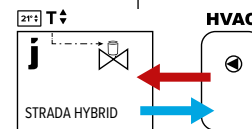
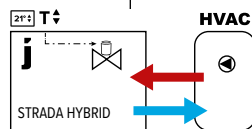
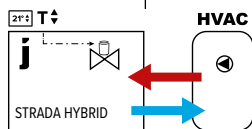
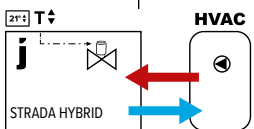


No, unit without integrated room temperature control
Fans will start automatically when the external control sends warm/cold water through the radiator



- Without 0-10V signal:
- room thermostat (None-Jaga)
 - area control with room temperature control
 - boiler or heat pump control with room temperature control
 - home automation with room temperature control
 - other external room temperature controls

- 0-10V signal for fan control available from
- Jaga room thermostat with 0-10V signal to unit
 - home automation with 0-10V signal to unit



Heating: temperature control via thermostatic radiator valve (TRV)
Cooling: thermostatic radiator valve/adaptor is on cooling mode, no temperature control

Temperature control via control panel on unit (thermoelectric valve in the radiator connected to unit electronics)

Choose 1 of 3 fan speeds (speed will not adjust, depending on room temperature)

Fan speed will adjust to the room temperature. Set the temperature range via the control panel.

Fan speed is controlled by 0-10V connection to the electronics in the radiator.

Fan speed is determined by 3-position control

Fan speed adapts to the room temperature and the set target room temperature (via fingertip control)

JAGA ACO

JAGA TPT

JAGA ACO

JAGA TPT

JAGA BMS

Coding: D09

D01

D09

D01

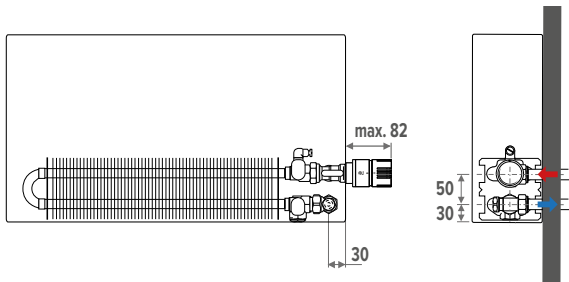
D03

STANDARD: CONNECTION LEFT OR RIGHT WITH CONTROLS BELOW

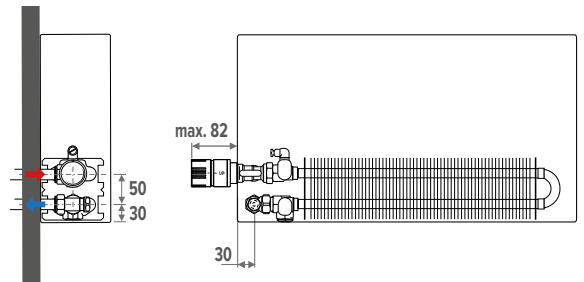
Left or right downwards, to the wall or to the floor. Wall connection from the underside of the panelling or completely concealed within the panelling. The installer can rotate the heat exchanger to accommodate a left or right-side connection.

Compatible Eurocone connection sets: 101, 102, 103, 104, 181, 182, 183, 184, 222, 225, 226, 282, 285
Compatible M24 connection sets: 11, 12, 13, 14, 25

Example of connection to the right (standard)



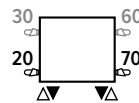
Example of connection to the left



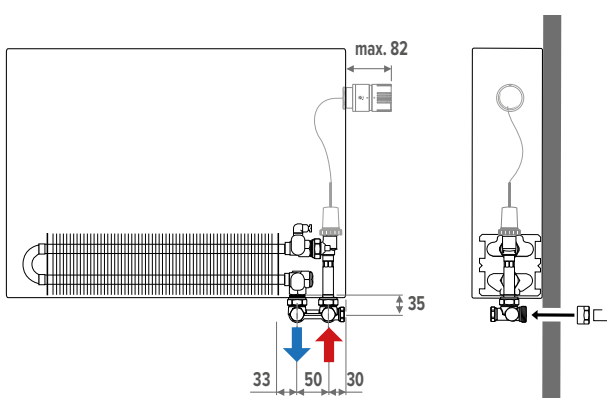
CONNECTION LEFT OR RIGHT WITH CONTROLS ABOVE

Complete the radiator code with 30 (left) or 60 (right). EX. STRW 035 050 06 XXX D09 60

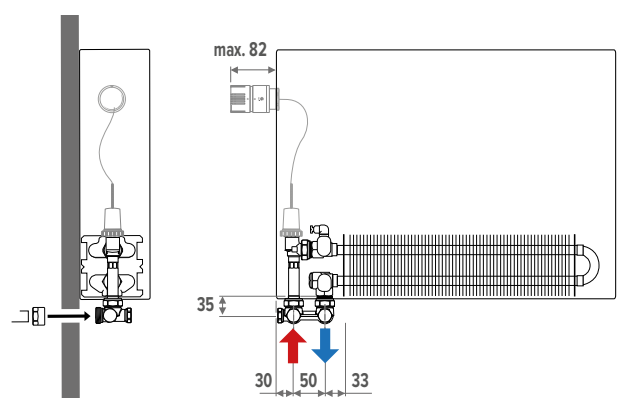
Compatible Eurocone connection sets: 115, 116, 117, 118



Example of connection to the right (standard)



Example of connection to the left



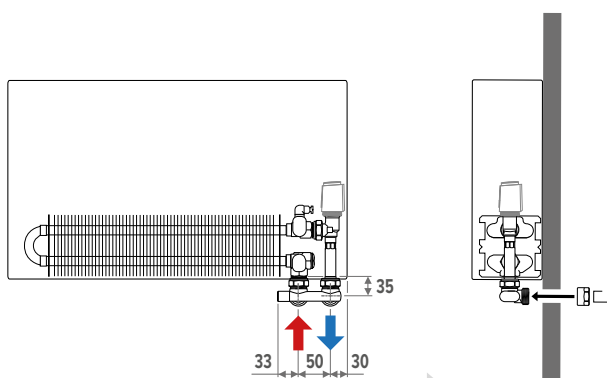
CONNECTION LEFT OR RIGHT WITH REMOTE CONTROL

Complete the radiator code with 00 (closed sides). EX. STRW 035 050 06 XXX D01 00

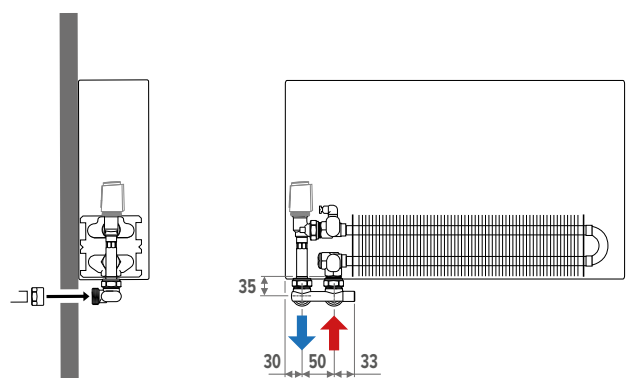
Compatible Eurocone connection sets: 111, 112, 113, 114

Compatible M24 connection sets: 28, 29

Example of connection to the right (standard)



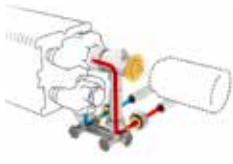
Example of connection to the left



When a Hybrid unit with Jaga TPT control is equipped with a thermoelectric valve motor connected to the internal electronics, the unit will take over the function of room thermostat. Based on the room temperature measurement, the unit will then switch on or off the water flow through the unit itself. If you wish to set the room temperature via a room thermostat, area control, home automation or other system that activates or deactivates the water flow through the unit, you do not need to connect a thermoelectric valve motor to the internal controller. The Jaga TPT controller will then only modulate the fans in speed based on the measured room and water temperature.

To the wall - FLOW ON THE OUTSIDE

With Jaga H-valve



set **103** **KVS: 0.8**
TWO PIPE / ONE PIPE

COLO HBSW AC 4...	AC	
COLO HBSW AW 4...	AW	
COLO HBSW AS 4...	AS	
COLO HBSW AB 4...	AB	
COLO HBSW JH 4...	JH	

fill in sleeve coupling code

With Gampper Vario DP Dynamic valve



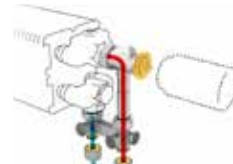
set **183** automatic flow limiter (20 - 340 l/h)
TWO PIPE

COLO GASW AC 4...	AC	
COLO GASW AW 4...	AW	
COLO GASW AS 4...	AS	
COLO GASW AB 4...	AB	
COLO GASW JH 4...	JH	

fill in sleeve coupling code

To the floor - FLOW ON THE OUTSIDE

With Jaga H-valve

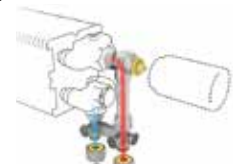


set **104** **KVS: 0.8**
TWO PIPE / ONE PIPE

COLO HBSF AC 4...	AC	
COLO HBSF AW 4...	AW	
COLO HBSF AS 4...	AS	
COLO HBSF AB 4...	AB	
COLO HBSF JH 4...	JH	

fill in sleeve coupling code

With Gampper Vario DP Dynamic valve



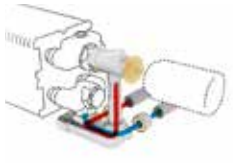
set **184** automatic flow limiter (20 - 340 l/h)
TWO PIPE

COLO GASF AC 4...	AC	
COLO GASF AW 4...	AW	
COLO GASF AS 4...	AS	
COLO GASF AB 4...	AB	
COLO GASF JH 4...	JH	

fill in sleeve coupling code

To the wall - FLOW ON THE INSIDE

With Jaga Crossflow valve

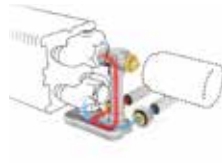


set **101** **KVS: 0.8**
TWO PIPE

COLO HBCW AC 4...	AC	
COLO HBCW AW 4...	AW	
COLO HBCW AS 4...	AS	
COLO HBCW AB 4...	AB	
COLO HBCW JH 4...	JH	

fill in sleeve coupling code

With Gampper Vario DP Dynamic valve



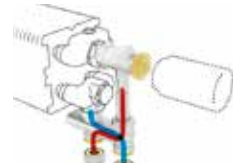
set **181** automatic flow limiter (20 - 340 l/h)
TWO PIPE

COLO GACW AC 4...	AC	
COLO GACW AW 4...	AW	
COLO GACW AS 4...	AS	
COLO GACW AB 4...	AB	
COLO GACW JH 4...	JH	

fill in sleeve coupling code

To the floor - FLOW ON THE INSIDE

With Jaga Crossflow valve

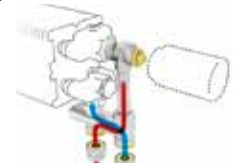


set **102** **KVS: 0.8**
TWO PIPE

COLO HBCF AC 4...	AC	
COLO HBCF AW 4...	AW	
COLO HBCF AS 4...	AS	
COLO HBCF AB 4...	AB	
COLO HBCF JH 4...	JH	

fill in sleeve coupling code

With Gampper Vario DP Dynamic valve



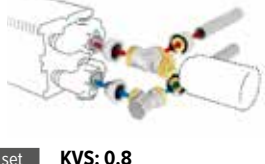
set **182** automatic flow limiter (20 - 340 l/h)
TWO PIPE

COLO GACF AC 4...	AC	
COLO GACF AW 4...	AW	
COLO GACF AS 4...	AS	
COLO GACF AB 4...	AB	
COLO GACF JH 4...	JH	

fill in sleeve coupling code

To the wall - WITHIN THE CASING

With Jaga valve



set **225** **KVS: 0.8**
TWO PIPE

COLO SW2 AC 4...	AC	
COLO SW2 AW 4...	AW	
COLO SW2 AS 4...	AS	
COLO SW2 AB 4...	AB	
COLO SW2 JH 4...	JH	

fill in sleeve coupling code

With Gampper Vario DP Dynamic valve



set **285** automatic flow limiter (20 - 340 l/h)
TWO PIPE

COLO GW2 AC 4...	AC	
COLO GW2 AW 4...	AW	
COLO GW2 AS 4...	AS	
COLO GW2 AB 4...	AB	
COLO GW2 JH 4...	JH	

fill in sleeve coupling code

With 2 lockshields



set **226**
TWO PIPE

COLO LOA 00 4...	AC	
------------------	----	--

fill in sleeve coupling code

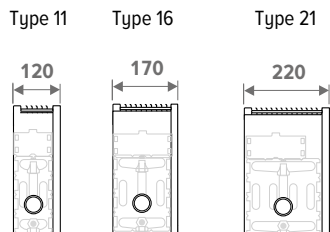
Sleeve couplings 3/4" Eurocone

PRECISION METAL TUBE		SYNTHETIC OR RPE/ALU	
CODE	Tube Ø	CODE	Tube Ø
112	12/1	612	12/2
114	14/1	614	14/2
115	15/1	616	16/2
116	16/1	618	18/2
118	18/1	619	16/1.5
		620	20/2

For extensive information on valves, see the brochure "Connection sets & Valves"

STRADA HYBRID

HEIGHT 035



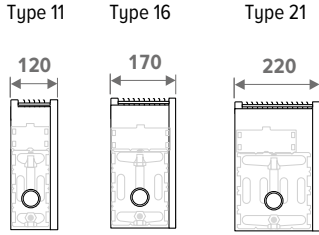
HEIGHT H cm	LENGTH L cm	TYPE T	POSITION	COOLING <i>(non-condensing)</i> Room temperature 27°C					HEATING Room temperature 20°C					SOUND PRESSURE LEVEL		POWER CONSUMPTION		WEIGHT kg	WATER CONTENT L	ORDER CODE
				16/18 Watts	35/30 Watts	45/40 Watts	50/45 Watts	55/45 Watts	dB(A)	Watts	kg	L								
													1	2	3	1	2			
STRW 035 050	11	16	1	148	190	366	457	499	26.0	3.6	0.7	STRW 035 050 11 XXX DDD								
			2	158	203	391	489	534	30.0	4.1										
			3	185	237	457	571	624	38.8	5.1										
		16	1	---	---	---	---	---	---	---	---		---							
			2	---	---	---	---	---	---	---	---		---							
			3	---	---	---	---	---	---	---	---		---							
		21	1	---	---	---	---	---	---	---	---		---							
			2	---	---	---	---	---	---	---	---		---							
			3	---	---	---	---	---	---	---	---		---							
	060	11	16	1	191	246	474	592	647	26.0	4.8	0.8	STRW 035 060 11 XXX DDD							
				2	205	263	508	634	693	30.0	5.4									
				3	242	311	601	750	820	40.0	6.8									
			16	1	214	301	581	726	793	26.0	4.8	1.2								
				2	230	323	624	779	851	30.0	5.5									
				3	305	428	826	1031	1126	41.1	7.2									
			21	1	234	416	779	963	1048	26.0	4.8	1.6								
				2	251	447	836	1034	1125	30.0	5.5									
				3	332	591	1106	1368	1488	41.1	7.2									
070		11	16	1	234	301	580	724	791	26.0	5.5	0.9	STRW 035 070 11 XXX DDD							
				2	251	322	622	777	849	30.0	5.9									
				3	300	385	743	928	1014	41.0	7.9									
			16	1	220	350	676	844	922	26.0	5.1	1.4								
				2	236	376	725	906	990	30.0	5.6									
				3	312	498	960	1199	1310	41.1	7.2									
			21	1	240	456	854	1056	1149	26.0	5.1	1.9								
				2	258	490	917	1134	1234	30.0	5.6									
				3	341	648	1214	1501	1633	41.1	7.2									
	080	11	16	1	276	355	684	854	933	26.0	6.3	1.1	STRW 035 080 11 XXX DDD							
				2	296	381	735	917	1002	30.0	6.8									
				3	358	460	887	1107	1210	41.8	9.1									
			16	1	312	439	847	1058	1156	26.0	6.0	1.6								
				2	335	471	908	1134	1239	30.0	6.7									
				3	450	632	1219	1522	1663	42.4	9.0									
			21	1	341	606	1135	1404	1527	26.0	6.0	2.1								
				2	366	650	1217	1505	1638	30.0	6.7									
				3	490	873	1634	2020	2197	42.4	9.0									
090		11	16	1	317	408	786	982	1072	26.0	6.7	1.2	STRW 035 090 11 XXX DDD							
				2	341	438	846	1056	1154	30.0	7.4									
				3	415	534	1029	1286	1405	42.4	10.3									
			16	1	358	503	970	1211	1323	26.0	7.0	1.8								
				2	383	539	1039	1298	1418	30.0	7.7									
				3	522	734	1415	1767	1931	43.3	10.7									
			21	1	390	694	1300	1607	1749	26.0	7.0	2.4								
				2	418	744	1393	1722	1874	30.0	7.7									
				3	570	1013	1897	2345	2552	43.3	10.7									
	100	11	16	1	358	460	887	1107	1210	26.0	7.8	1.3	STRW 035 100 11 XXX DDD							
				2	385	495	955	1193	1303	30.0	8.7									
				3	473	608	1173	1465	1600	43.0	12.2									
			16	1	403	566	1092	1364	1490	26.0	7.0	2.0								
				2	431	606	1169	1460	1595	30.0	7.7									
				3	595	836	1612	2013	2199	44.1	10.7									
			21	1	439	782	1464	1809	1969	26.0	7.0	2.7								
				2	471	837	1567	1937	2108	30.0	7.7									
				3	649	1154	2160	2671	2906	44.1	10.7									
110		11	16	1	401	516	995	1242	1357	26.0	8.4	1.5	STRW 035 110 11 XXX DDD							
				2	432	556	1072	1339	1462	30.0	9.3									
				3	531	682	1315	1643	1795	43.5	14.0									
			16	1	408	613	1183	1477	1614	26.0	7.9	2.2								
				2	437	657	1267	1582	1728	30.0	8.8									
				3	602	905	1746	2181	2383	44.1	12.5									
			21	1	446	821	1536	1899	2067	26.0	7.9	2.9								
				2	477	879	1645	2034	2213	30.0	8.8									
				3	658	1211	2268	2804	3051	44.1	12.5									
	120	11	16	1	437	562	1084	1354	1479	26.0	8.9	1.6	STRW 035 120 11 XXX DDD							
				2	473	607	1171	1463	1598	30.0	9.9									
				3	589	756	1459	1822	1990	44.0	14.8									
			16	1	496	698	1346	1681	1836	26.0	8.7	2.4								
				2	532	747	1441	1800	1966	30.0	9.8									
				3	740	1039	2005	2504	2735	44.8	14.3									
			21	1	542	963	1804	2230	2426	26.0	8.7	3.2								
				2	580	1032	1932	2388	2598	30.0	9.8									
				3	807	1435	2687	3322	3615	44.8	14.3									

Output measured in accordance with EN 16430
 *Noise measurement according to ISO 3741:2010, at
 a 2-m distance from the unit and with an assumed
 room attenuation of 8 dB(A)/room volume 100 m³ /
 reverberation time 0.5 sec.

enter colour code
 enter control system code

STRADA HYBRID

HEIGHT 035



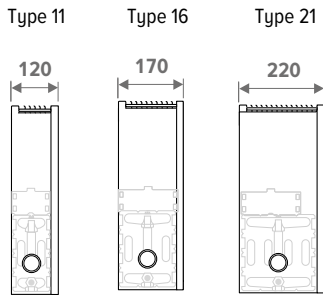
HEIGHT H cm	LENGTH L cm	TYPE T	POSITION	COOLING (non-condensing) Room temperature 27°C					HEATING Room temperature 20°C					SOUND PRESSURE LEVEL dB(A)	POWER CONSUMPTION Watts	WEIGHT kg	WATER CONTENT L	ORDER CODE
				16/18 Watts	35/30 Watts	45/40 Watts	50/45 Watts	55/45 Watts	16/18 Watts	35/30 Watts	45/40 Watts	50/45 Watts	55/45 Watts					
STRW 035	140	11	1	515	662	1277	1595	1743	26.0	10.1	1.6	STRW 035 140 11 XXX DDD						
			2	558	717	1383	1728	1887	30.0	11.2								
			3	704	905	1745	2179	2380	44.8	17.5								
		16	1	589	827	1596	1993	2177	26.0	9.6	2.4	STRW 035 140 16 XXX DDD						
			2	630	886	1709	2134	2332	30.0	10.5								
			3	885	1243	2398	2995	3272	45.4	16.1								
		21	1	642	1143	2139	2645	2877	26.0	9.6	3.2	STRW 035 140 21 XXX DDD						
			2	688	1224	2291	2832	3082	30.0	10.5								
			3	965	1717	3214	3974	4324	45.4	16.1								
	160	11	1	592	760	1467	1832	2001	26.0	11.0	2.1	STRW 035 060 11 XXX DDD						
			2	642	825	1592	1988	2172	30.0	12.4								
			3	819	1053	2031	2536	2771	45.5	19.2								
		16	1	676	951	1834	2290	2502	26.0	11.5	3.2	STRW 035 060 16 XXX DDD						
			2	722	1015	1958	2445	2671	30.0	12.8								
			3	1030	1447	2791	3486	3808	46.4	19.6								
		21	1	738	1313	2458	3039	3307	26.0	11.5	4.3	STRW 035 060 21 XXX DDD						
			2	788	1402	2624	3245	3530	30.0	12.8								
			3	1123	1998	3741	4625	5032	46.4	19.6								
	180	11	1	675	867	1673	2090	2283	26.0	12.2	2.4	STRW 035 070 11 XXX DDD						
			2	733	942	1816	2268	2478	30.0	13.7								
			3	935	1201	2317	2893	3161	46.0	22.0								
		16	1	686	1042	2011	2511	2743	26.0	11.5	3.6	STRW 035 070 16 XXX DDD						
			2	733	1113	2147	2681	2929	30.0	12.8								
			3	1045	1586	3060	3821	4175	46.4	19.6								
21		1	750	1388	2599	3214	3497	26.0	11.5	4.8	STRW 035 070 21 XXX DDD							
		2	801	1482	2775	3431	3733	30.0	12.8									
		3	1142	2113	3956	4891	5322	46.4	19.6									
200	11	1	741	952	1836	2293	2505	26.0	13.4	2.7	STRW 035 080 11 XXX DDD							
		2	807	1037	2001	2499	2730	30.0	14.8									
		3	1050	1349	2603	3250	3551	46.5	24.0									
	16	1	868	1220	2352	2938	3210	26.0	13.2	4.0	STRW 035 080 16 XXX DDD							
		2	914	1285	2479	3096	3382	30.0	14.7									
		3	1320	1855	3577	4468	4881	47.1	23.5									
	21	1	947	1684	3153	3898	4242	26.0	13.2	5.3	STRW 035 080 21 XXX DDD							
		2	998	1775	3322	4108	4469	30.0	14.7									
		3	1440	2561	4795	5928	6450	47.1	23.5									
220	11	1	809	1040	2005	2505	2736	26.0	13.4	2.9	STRW 035 090 11 XXX DDD							
		2	884	1136	2191	2737	2990	30.0	14.8									
		3	1166	1498	2889	3608	3941	46.9	24.0									
	16	1	963	1354	2612	3262	3563	26.0	15.5	4.4	STRW 035 090 16 XXX DDD							
		2	1003	1003	2721	3398	3712	30.0	16.8									
		3	1465	2058	3970	4959	5417	47.8	27.5									
	21	1	1051	1870	3501	4328	4709	26.0	15.5	5.9	STRW 035 090 21 XXX DDD							
		2	1095	1948	3646	4508	4905	30.0	16.8									
		3	1598	2843	5322	6579	7159	47.8	27.5									
240	11	1	877	1127	2174	2715	2967	26.0	14.8	3.2	STRW 035 100 11 XXX DDD							
		2	961	1235	2382	2975	3250	30.0	16.6									
		3	1281	1646	3175	3965	4331	47.2	28.0									
	16	1	1059	1488	2871	3586	3917	26.0	16.4	4.8	STRW 035 100 16 XXX DDD							
		2	1098	1543	2975	3716	4025	30.0	17.7									
		3	1610	2262	4364	5450	5954	48.1	29.7									
	21	1	1155	2056	3848	4758	5177	26.0	16.4	6.4	STRW 035 100 21 XXX DDD							
		2	1197	2130	3988	4931	5365	30.0	17.7									
		3	1756	3124	5849	7231	7868	48.1	29.7									
260	11	1	950	1220	2353	2939	3211	26.0	16.2	3.5	STRW 035 120 11 XXX DDD							
		2	1047	1346	2596	3241	3541	30.0	18.6									
		3	1396	1794	3461	4322	4722	47.8	31.4									
	16	1	1069	1580	3048	3806	4158	26.0	16.4	5.1	STRW 035 120 16 XXX DDD							
		2	1108	1638	3159	3945	4310	30.0	17.7									
		3	1625	2401	4632	5785	6320	48.1	29.7									
	21	1	1168	2131	3990	4933	5367	26.0	16.4	6.9	STRW 035 120 21 XXX DDD							
		2	1210	2209	4135	5112	5562	30.0	17.7									
		3	1774	3239	6064	7497	8157	48.1	29.7									
280	11	1	956	1286	2481	3098	3385	26.0	16.2	3.7	STRW 035 140 11 XXX DDD							
		2	1056	1420	2739	3421	3737	30.0	18.6									
		3	1406	1892	3649	4557	4978	47.8	31.4									
	16	1	1250	1757	3390	4233	4625	26.0	19.3	5.5	STRW 035 140 16 XXX DDD							
		2	1278	1797	3465	4328	4728	30.0	20.4									
		3	1900	2670	5150	6431	7026	48.9	34.5									
	21	1	1364	2427	4543	5617	6112	26.0	19.3	7.4	STRW 035 140 21 XXX DDD							
		2	1395	2481	4645	5743	6249	30.0	20.4									
		3	2072	3687	6903	8534	9286	48.9	34.5									

Output measured in accordance with EN 16430
 *Noise measurement according to ISO 3741:2010, at
 a 2-m distance from the unit and with an assumed
 room attenuation of 8 dB(A)/room volume 100 m³ /
 reverberation time 0.5 sec.

enter colour code
 enter control system code

STRADA HYBRID

HEIGHT 050



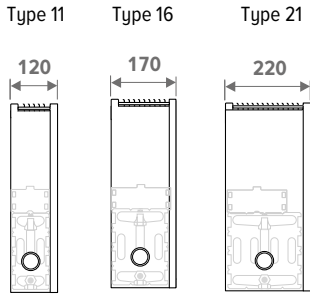
HEIGHT H cm	LENGTH L cm	TYPE T	POSITION	COOLING (non-condensing) Room temperature 27°C					HEATING Room temperature 20°C					SOUND PRESSURE LEVEL dB(A)	POWER CONSUMPTION Watts	WEIGHT kg	WATER CONTENT L	ORDER CODE
				16/18 Watts	35/30 Watts	45/40 Watts	50/45 Watts	55/45 Watts	16/18 Watts	35/30 Watts	45/40 Watts	50/45 Watts	55/45 Watts					
STRW 050 050	110	11	1	148	190	366	457	499	26.0	3.6	0.7	STRW 050 050 11 XXX DDD						
			2	158	203	391	489	534	30.0	4.1								
			3	185	237	457	571	624	38.8	5.1								
	160	1	---	---	---	---	---	---	---	---	---	---						
		2	---	---	---	---	---	---	---	---	---	---						
		3	---	---	---	---	---	---	---	---	---	---						
	210	1	---	---	---	---	---	---	---	---	---	---						
		2	---	---	---	---	---	---	---	---	---	---						
		3	---	---	---	---	---	---	---	---	---	---						
	060	110	11	1	191	246	474	592	647	26.0	4.8	0.8	STRW 050 060 11 XXX DDD					
				2	205	263	508	634	693	30.0	5.4							
				3	242	311	601	750	820	40.0	6.8							
		160	1	214	301	581	726	793	26.0	4.8	1.2	STRW 050 060 16 XXX DDD						
			2	230	323	624	779	851	30.0	5.5								
			3	305	428	826	1031	1126	41.1	7.2								
		210	1	234	416	779	963	1048	26.0	4.8	1.6	STRW 050 060 21 XXX DDD						
			2	251	447	836	1034	1125	30.0	5.5								
			3	332	591	1106	1368	1488	41.1	7.2								
070		110	11	1	234	301	580	724	791	26.0	5.5	0.9	STRW 050 070 11 XXX DDD					
				2	251	322	622	777	849	30.0	5.9							
				3	300	385	743	928	1014	41.0	7.9							
		160	1	220	350	676	844	922	26.0	5.1	1.4	STRW 050 070 16 XXX DDD						
			2	236	376	725	906	990	30.0	5.6								
			3	312	498	960	1199	1310	41.1	7.2								
		210	1	240	456	854	1056	1149	26.0	5.1	1.9	STRW 050 070 21 XXX DDD						
			2	258	490	917	1134	1234	30.0	5.6								
			3	341	648	1214	1501	1633	41.1	7.2								
	080	110	11	1	276	355	684	854	933	26.0	6.3	1.1	STRW 050 080 11 XXX DDD					
				2	296	381	735	917	1002	30.0	6.8							
				3	358	460	887	1107	1210	41.8	9.1							
		160	1	312	439	847	1058	1156	26.0	6.0	1.6	STRW 050 080 16 XXX DDD						
			2	335	471	908	1134	1239	30.0	6.7								
			3	450	632	1219	1522	1663	42.4	9.0								
		210	1	341	456	854	1056	1149	26.0	6.0	2.1	STRW 050 080 21 XXX DDD						
			2	366	490	917	1134	1234	30.0	6.7								
			3	490	873	1634	2020	2197	42.4	9.0								
090		110	11	1	317	355	684	854	933	26.0	6.7	1.2	STRW 050 090 11 XXX DDD					
				2	341	381	735	917	1002	30.0	7.4							
				3	415	534	1029	1286	1405	42.4	10.3							
		160	1	358	503	970	1211	1323	26.0	7.0	1.8	STRW 050 090 16 XXX DDD						
			2	383	539	1039	1298	1418	30.0	7.7								
			3	522	734	1415	1767	1931	43.3	10.7								
		210	1	390	694	1300	1607	1749	26.0	7.0	2.4	STRW 050 090 21 XXX DDD						
			2	418	744	1393	1722	1874	30.0	7.7								
			3	570	1013	1897	2345	2552	43.3	10.7								
	100	110	11	1	358	460	887	1107	1210	26.0	7.8	1.3	STRW 050 100 11 XXX DDD					
				2	385	495	955	1193	1303	30.0	8.7							
				3	473	608	1173	1465	1600	43.0	12.2							
		160	1	403	566	1092	1364	1490	26.0	7.0	2.0	STRW 050 100 16 XXX DDD						
			2	431	606	1169	1460	1595	30.0	7.7								
			3	595	836	1612	2013	2199	44.1	10.7								
		210	1	439	782	1464	1809	1969	26.0	7.0	2.7	STRW 050 100 21 XXX DDD						
			2	471	837	1567	1937	2108	30.0	7.7								
			3	649	1154	2160	2671	2906	44.1	10.7								
110		110	11	1	358	516	995	1242	1357	26.0	8.4	1.5	STRW 050 110 11 XXX DDD					
				2	385	556	1072	1339	1462	30.0	9.3							
				3	531	682	1315	1643	1795	43.5	14.0							
		160	1	403	613	1183	1477	1614	26.0	7.9	2.2	STRW 050 110 16 XXX DDD						
			2	431	657	1267	1582	1728	30.0	8.8								
			3	602	905	1746	2181	2383	44.1	12.5								
		210	1	437	821	1536	1899	2067	26.0	7.9	2.9	STRW 050 110 21 XXX DDD						
			2	473	879	1645	2034	2213	30.0	8.8								
			3	658	1211	2268	2804	3051	44.1	12.5								
	120	110	11	1	437	562	1084	1354	1479	26.0	8.9	1.6	STRW 050 120 11 XXX DDD					
				2	473	607	1171	1463	1598	30.0	9.9							
				3	589	756	1459	1822	1990	44.0	14.8							
		160	1	496	698	1346	1681	1836	26.0	8.7	2.4	STRW 050 120 16 XXX DDD						
			2	532	747	1441	1800	1966	30.0	9.8								
			3	740	1039	2005	2504	2735	44.8	14.3								
		210	1	542	963	1804	2230	2426	26.0	8.7	3.2	STRW 050 120 21 XXX DDD						
			2	580	1032	1932	2388	2598	30.0	9.8								
			3	807	1435	2687	3322	3615	44.8	14.3								

Output measured in accordance with EN 16430
 *Noise measurement according to ISO 3741:2010, at a 2-m distance from the unit and with an assumed room attenuation of 8 dB(A)/room volume 100 m³ / reverberation time 0.5 sec.

enter colour code |
 enter control system code |

STRADA HYBRID

HEIGHT 050



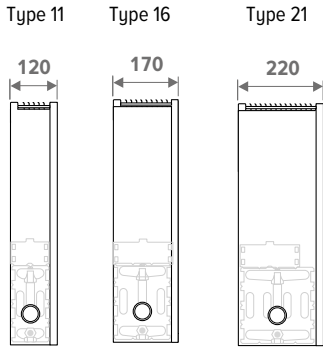
HEIGHT H cm	LENGTH L cm	TYPE T	POSITION	COOLING (non-condensing) Room temperature 27°C					HEATING Room temperature 20°C					SOUND PRESSURE LEVEL dB(A)	POWER CONSUMPTION Watts	WEIGHT kg	WATER CONTENT L	ORDER CODE
				16/18 Watts	35/30 Watts	45/40 Watts	50/45 Watts	55/45 Watts	16/18 Watts	35/30 Watts	45/40 Watts	50/45 Watts	55/45 Watts					
STRW 050	140	11	1	515	662	1277	1595	1743	26.0	10.1	1.6	STRW 050 140 11 XXX DDD						
			2	558	717	1383	1728	1887	30.0	11.2								
			3	704	905	1745	2179	2380	44.8	17.5								
		16	1	589	827	1596	1993	2177	26.0	9.6	2.4	STRW 050 140 16 XXX DDD						
			2	630	886	1709	2134	2332	30.0	10.5								
			3	885	1243	2398	2995	3272	45.4	16.1								
	21	1	688	1143	2139	2645	2877	26.0	9.6	3.2	STRW 050 140 21 XXX DDD							
		2	965	1224	2291	2832	3082	30.0	10.5									
		3	965	1717	3214	3974	4324	45.4	16.1									
	160	11	11	1	592	760	1467	1832	2001	26.0	11.0	2.1	STRW 050 060 11 XXX DDD					
				2	642	825	1592	1988	2172	30.0	12.4							
				3	819	1053	2031	2536	2771	45.5	19.2							
			16	1	676	951	1834	2290	2502	26.0	11.5	3.2	STRW 050 060 16 XXX DDD					
				2	722	1015	1958	2445	2671	30.0	12.8							
				3	1030	1447	2791	3486	3808	46.4	19.6							
		21	1	738	1313	2458	3039	3307	26.0	11.5	4.3	STRW 050 060 21 XXX DDD						
			2	788	1402	2624	3245	3530	30.0	12.8								
			3	1123	1998	3741	4625	5032	46.4	19.6								
180		11	11	1	675	867	1673	2090	2283	26.0	12.2	2.4	STRW 050 070 11 XXX DDD					
				2	733	942	1816	2268	2478	30.0	13.7							
				3	935	1201	2317	2893	3161	46.0	22.0							
	16		1	686	1220	2352	2938	3210	26.0	11.5	3.6	STRW 050 070 16 XXX DDD						
			2	733	1285	2479	3096	3382	30.0	12.8								
			3	1045	1586	3060	3821	4175	46.4	19.6								
	21	1	750	1388	2599	3214	3497	26.0	11.5	4.8	STRW 050 070 21 XXX DDD							
		2	801	1482	2775	3431	3733	30.0	12.8									
		3	1142	2113	3956	4891	5322	46.4	19.6									
	200	11	11	1	741	952	1836	2293	2505	26.0	13.4	2.7	STRW 050 080 11 XXX DDD					
				2	807	1037	2001	2499	2730	30.0	14.8							
				3	1050	1349	2603	3250	3551	46.5	24.0							
16			1	686	1220	2352	2938	3210	26.0	13.2	4.0	STRW 050 080 16 XXX DDD						
			2	733	1285	2479	3096	3382	30.0	14.7								
			3	1320	1855	3577	4468	4881	47.1	23.5								
21		1	750	1684	3153	3898	4242	26.0	13.2	5.3	STRW 050 080 21 XXX DDD							
		2	801	1775	3322	4108	4469	30.0	14.7									
		3	1440	2561	4795	5928	6450	47.1	23.5									
220		11	11	1	809	1127	2174	2715	2967	26.0	13.4	2.9	STRW 050 090 11 XXX DDD					
				2	884	1235	2382	2975	3250	30.0	14.8							
				3	1166	1498	2889	3608	3941	46.9	24.0							
	16		1	963	1354	2612	3262	3563	26.0	15.5	4.4	STRW 050 090 16 XXX DDD						
			2	1003	1003	2721	3398	3712	30.0	16.8								
			3	1465	2058	3970	4959	5417	47.8	27.5								
	21	1	1051	1870	3501	4328	4709	26.0	15.5	5.9	STRW 050 090 21 XXX DDD							
		2	1095	1948	3646	4508	4905	30.0	16.8									
		3	1598	2843	5322	6579	7159	47.8	27.5									
	240	11	11	1	877	1127	2174	2715	2967	26.0	14.8	3.2	STRW 050 100 11 XXX DDD					
				2	961	1235	2382	2975	3250	30.0	16.6							
				3	1281	1646	3175	3965	4331	47.2	28.0							
16			1	1059	1488	2871	3586	3917	26.0	16.4	4.8	STRW 050 100 16 XXX DDD						
			2	1098	1543	2975	3716	3250	30.0	17.7								
			3	1610	2262	4364	5450	5954	48.1	29.7								
21		1	1155	2056	3848	4758	5177	26.0	16.4	6.4	STRW 050 100 21 XXX DDD							
		2	1197	2130	3988	4931	5365	30.0	17.7									
		3	1756	3124	5849	7231	7868	48.1	29.7									
260		11	11	1	950	1220	2353	2939	3211	26.0	16.2	3.5	STRW 050 120 11 XXX DDD					
				2	1047	1346	2596	3241	3541	30.0	18.6							
				3	1396	1794	3461	4322	4722	47.8	31.4							
	16		1	1069	1488	2871	3586	3917	26.0	16.4	5.1	STRW 050 120 16 XXX DDD						
			2	1108	1543	2975	3716	3250	30.0	17.7								
			3	1625	2401	4632	5785	6320	48.1	29.7								
	21	1	1168	2131	3990	4933	5367	26.0	16.4	6.9	STRW 050 120 21 XXX DDD							
		2	1210	2209	4135	5112	5562	30.0	17.7									
		3	1774	3239	6064	7497	8157	48.1	29.7									
	280	11	11	1	956	1286	2481	3098	3385	26.0	16.2	3.7	STRW 050 140 11 XXX DDD					
				2	1056	1420	2739	3421	3737	30.0	18.6							
				3	1406	1892	3649	4557	4978	47.8	31.4							
16			1	1250	1757	3390	4233	4625	26.0	19.3	5.5	STRW 050 140 16 XXX DDD						
			2	1278	1797	3465	4328	4728	30.0	20.4								
			3	1900	2670	5150	6431	7026	48.9	34.5								
21		1	1364	2427	4543	5617	6112	26.0	19.3	7.4	STRW 050 140 21 XXX DDD							
		2	1395	2481	4645	5743	6249	30.0	20.4									
		3	2072	3687	6903	8534	9286	48.9	34.5									

Output measured in accordance with EN 16430
 *Noise measurement according to ISO 3741:2010, at
 a 2-m distance from the unit and with an assumed
 room attenuation of 8 dB(A)/room volume 100 m³ /
 reverberation time 0.5 sec.

enter colour code |
 enter control system code |

STRADA HYBRID

HEIGHT 065



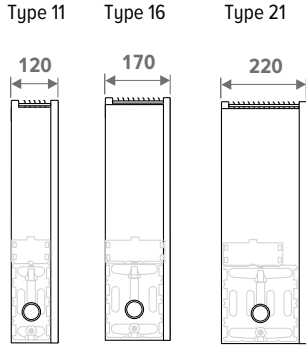
HEIGHT H cm	LENGTH L cm	TYPE T	POSITION	COOLING (non-condensing) Room temperature 27°C					SOUND PRESSURE LEVEL		POWER CONSUMPTION		WEIGHT kg	WATER CONTENT L	ORDER CODE
				16/18 Watts	35/30 Watts	45/40 Watts	50/45 Watts	55/45 Watts	dB(A)	Watts					
065	050	11	1	136	190	366	457	499	26.0	3.6	0.7	STRW 065 050 11 XXX DDD			
			2	146	203	391	489	534	30.0	4.1					
			3	171	237	457	571	624	38.8	5.1					
		16	1	---	---	---	---	---	---	---	---	---	---		
			2	---	---	---	---	---	---	---	---	---	---		
			3	---	---	---	---	---	---	---	---	---	---		
		21	1	---	---	---	---	---	---	---	---	---	---		
			2	---	---	---	---	---	---	---	---	---	---		
			3	---	---	---	---	---	---	---	---	---	---		
	060	11	11	1	177	246	474	592	647	26.0	4.8	0.8	STRW 065 060 11 XXX DDD		
				2	190	263	508	634	693	30.0	5.4				
				3	224	1447	1447	1447	1447	40.0	6.8				
			16	1	198	301	581	726	793	26.0	4.8	1.2	STRW 065 060 16 XXX DDD		
				2	213	323	624	779	851	30.0	5.5				
				3	282	1989	1989	1989	1989	41.1	7.2				
			21	1	216	416	779	963	1048	26.0	4.8	1.6	STRW 065 060 21 XXX DDD		
				2	232	447	836	1034	1125	30.0	5.5				
				3	307	591	1106	1368	1488	41.1	7.2				
070		11	11	1	216	301	580	724	791	26.0	5.5	0.9	STRW 065 070 11 XXX DDD		
				2	232	322	622	777	849	30.0	5.9				
				3	278	385	743	928	1014	41.0	7.9				
			16	1	203	350	676	844	922	26.0	5.1	1.4	STRW 065 070 16 XXX DDD		
				2	218	376	725	906	990	30.0	5.6				
				3	289	498	960	1199	1310	41.1	7.2				
			21	1	222	456	854	1056	1149	26.0	5.1	1.9	STRW 065 070 21 XXX DDD		
				2	239	490	917	1134	1234	30.0	5.6				
				3	316	648	1214	1501	1633	41.1	7.2				
	080	11	11	1	255	355	684	854	933	26.0	6.3	1.1	STRW 065 080 11 XXX DDD		
				2	274	381	735	917	1002	30.0	6.8				
				3	331	460	887	1107	1210	41.8	9.1				
			16	1	289	439	847	1058	1156	26.0	6.0	1.6	STRW 065 080 16 XXX DDD		
				2	310	471	908	1134	1239	30.0	6.7				
				3	416	632	1219	1522	1663	42.4	9.0				
			21	1	315	456	854	1056	1149	26.0	6.0	2.1	STRW 065 080 21 XXX DDD		
				2	338	490	917	1134	1234	30.0	6.7				
				3	454	873	1634	2020	2197	42.4	9.0				
090		11	11	1	293	355	684	854	933	26.0	6.7	1.2	STRW 065 090 11 XXX DDD		
				2	316	381	735	917	1002	30.0	7.4				
				3	384	534	1029	1286	1405	42.4	10.3				
			16	1	331	503	970	1211	1323	26.0	7.0	1.8	STRW 065 090 16 XXX DDD		
				2	355	539	1039	1298	1418	30.0	7.7				
				3	483	734	1415	1767	1931	43.3	10.7				
			21	1	361	694	1300	1607	1749	26.0	7.0	2.4	STRW 065 090 21 XXX DDD		
				2	387	744	1393	1722	1874	30.0	7.7				
				3	527	1013	1897	2345	2552	43.3	10.7				
	100	11	11	1	331	460	887	1107	1210	26.0	7.8	1.3	STRW 065 100 11 XXX DDD		
				2	356	495	955	1193	1303	30.0	8.7				
				3	438	608	1173	1465	1600	43.0	12.2				
			16	1	373	566	1092	1364	1490	26.0	7.0	2.0	STRW 065 100 16 XXX DDD		
				2	399	606	1169	1460	1595	30.0	7.7				
				3	550	836	1612	2013	2199	44.1	10.7				
			21	1	406	782	1464	1809	1969	26.0	7.0	2.7	STRW 065 100 21 XXX DDD		
				2	435	837	1567	1937	2108	30.0	7.7				
				3	600	1154	2160	2671	2906	44.1	10.7				
110		11	11	1	371	516	995	1242	1357	26.0	8.4	1.5	STRW 065 110 11 XXX DDD		
				2	400	556	1072	1339	1462	30.0	9.3				
				3	491	682	1315	1643	1795	43.5	14.0				
			16	1	377	613	1183	1477	1614	26.0	7.9	2.2	STRW 065 110 16 XXX DDD		
				2	404	657	1267	1582	1728	30.0	8.8				
				3	557	905	1746	2181	2383	44.1	12.5				
			21	1	412	821	1536	1899	2067	26.0	7.9	2.9	STRW 065 110 21 XXX DDD		
				2	441	879	1645	2034	2213	30.0	8.8				
				3	608	1211	2268	2804	3051	44.1	12.5				
	120	11	11	1	404	562	1084	1354	1479	26.0	8.9	1.6	STRW 065 120 11 XXX DDD		
				2	438	607	1171	1463	1598	30.0	9.9				
				3	545	756	1459	1822	1990	44.0	14.8				
			16	1	459	698	1346	1681	1836	26.0	8.7	2.4	STRW 065 120 16 XXX DDD		
				2	492	747	1441	1800	1966	30.0	9.8				
				3	685	1039	2005	2504	2735	44.8	14.3				
			21	1	501	963	1804	2230	2426	26.0	8.7	3.2	STRW 065 120 21 XXX DDD		
				2	536	1032	1932	2388	2598	30.0	9.8				
				3	746	1435	2687	3322	3615	44.8	14.3				

Output measured in accordance with EN 16430
 *Noise measurement according to ISO 3741:2010, at
 a 2-m distance from the unit and with an assumed
 room attenuation of 8 dB(A)/room volume 100 m³ /
 reverberation time 0.5 sec.

enter colour code |
 enter control system code |

STRADA HYBRID

HEIGHT 065



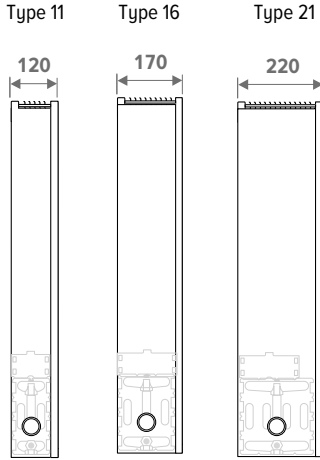
HEIGHT H cm	LENGTH L cm	TYPE T	POSITION	COOLING (non-condensing) Room temperature 27°C				HEATING Room temperature 20°C				SOUND PRESSURE LEVEL dB(A)	POWER CONSUMPTION Watts	WEIGHT kg	WATER CONTENT L	ORDER CODE
				16/18 Watts	35/30 Watts	45/40 Watts	50/45 Watts	55/45 Watts								
STRW 065	140	11	1	476	662	1277	1595	1743	26.0	10.1	1.6	STRW 065 140 11 XXX DDD				
			2	516	717	1383	1728	1887	30.0	11.2						
			3	651	905	1745	2179	2380	44.8	17.5						
		16	1	545	827	1596	1993	2177	26.0	9.6	2.4	STRW 065 140 16 XXX DDD				
			2	583	886	1709	2134	2332	30.0	10.5						
			3	819	1243	2398	2995	3272	45.4	16.1						
		21	1	594	1143	2139	2645	2877	26.0	9.6	3.2	STRW 065 140 21 XXX DDD				
			2	636	1224	2291	2832	3082	30.0	10.5						
			3	893	1717	3214	3974	4324	45.4	16.1						
	160	11	1	548	760	1467	1832	2001	26.0	11.0	2.1	STRW 065 060 11 XXX DDD				
			2	594	825	1592	1988	2172	30.0	12.4						
			3	758	1053	2031	2536	2771	45.5	19.2						
		16	1	625	951	1834	2290	2502	26.0	11.5	3.2	STRW 065 060 16 XXX DDD				
			2	668	1015	1958	2445	2671	30.0	12.8						
			3	953	1447	2791	3486	3808	46.4	19.6						
		21	1	683	1313	2458	3039	3307	26.0	11.5	4.3	STRW 065 060 21 XXX DDD				
			2	729	1402	2624	3245	3530	30.0	12.8						
			3	1039	1998	3741	4625	5032	46.4	19.6						
	180	11	1	624	867	1673	2090	2283	26.0	12.2	2.4	STRW 065 070 11 XXX DDD				
			2	678	942	1816	2268	2478	30.0	13.7						
			3	865	1201	2317	2893	3161	46.0	22.0						
		16	1	635	1220	2352	2938	3210	26.0	11.5	3.6	STRW 065 070 16 XXX DDD				
			2	678	1285	2479	3096	3382	30.0	12.8						
			3	966	1586	3060	3821	4175	46.4	19.6						
21		1	694	1388	2599	3214	3497	26.0	11.5	4.8	STRW 065 070 21 XXX DDD					
		2	741	1482	2775	3431	3733	30.0	12.8							
		3	1056	2113	3956	4891	5322	46.4	19.6							
200	11	1	685	952	1836	2293	2505	26.0	13.4	2.7	STRW 065 080 11 XXX DDD					
		2	746	1037	2001	2499	2730	30.0	14.8							
		3	971	1349	2603	3250	3551	46.5	24.0							
	16	1	803	1220	2352	2938	3210	26.0	13.2	4.0	STRW 065 080 16 XXX DDD					
		2	845	1285	2479	3096	3382	30.0	14.7							
		3	1221	1855	3577	4468	4881	47.1	23.5							
	21	1	876	1684	3153	3898	4242	26.0	13.2	5.3	STRW 065 080 21 XXX DDD					
		2	923	1775	3322	4108	4469	30.0	14.7							
		3	1332	2561	4795	5928	6450	47.1	23.5							
220	11	1	748	1127	2174	2715	2967	26.0	13.4	2.9	STRW 065 090 11 XXX DDD					
		2	818	1235	2382	2975	3250	30.0	14.8							
		3	1078	1498	2889	3608	3941	46.9	24.0							
	16	1	891	1354	2612	3262	3563	26.0	15.5	4.4	STRW 065 090 16 XXX DDD					
		2	928	1003	2721	3398	3712	30.0	16.8							
		3	1355	2058	3970	4959	5417	47.8	27.5							
	21	1	972	1870	3501	4328	4709	26.0	15.5	5.9	STRW 065 090 21 XXX DDD					
		2	1013	1948	3646	4508	4905	30.0	16.8							
		3	1478	2843	5322	6579	7159	47.8	27.5							
240	11	1	811	1127	2174	2715	2967	26.0	14.8	3.2	STRW 065 100 11 XXX DDD					
		2	889	1235	2382	2975	3250	30.0	16.6							
		3	1185	1646	3175	3965	4331	47.2	28.0							
	16	1	980	1488	2871	3586	3917	26.0	16.4	4.8	STRW 065 100 16 XXX DDD					
		2	1016	1543	2975	3716	3250	30.0	17.7							
		3	1489	2262	4364	5450	5954	48.1	29.7							
	21	1	1069	2056	3848	4758	5177	26.0	16.4	6.4	STRW 065 100 21 XXX DDD					
		2	1108	2130	3988	4931	5365	30.0	17.7							
		3	1624	3124	5849	7231	7868	48.1	29.7							
260	11	1	878	1220	2353	2939	3211	26.0	16.2	3.5	STRW 065 120 11 XXX DDD					
		2	969	1346	2596	3241	3541	30.0	18.6							
		3	1292	1794	3461	4322	4722	47.8	31.4							
	16	1	989	1488	2871	3586	3917	26.0	16.4	5.1	STRW 065 120 16 XXX DDD					
		2	1025	1543	2975	3716	3250	30.0	17.7							
		3	1503	2401	4632	5785	6320	48.1	29.7							
	21	1	1080	2131	3990	4933	5367	26.0	16.4	6.9	STRW 065 120 21 XXX DDD					
		2	1119	2209	4135	5112	5562	30.0	17.7							
		3	1641	3239	6064	7497	8157	48.1	29.7							
280	11	1	884	1286	2481	3098	3385	26.0	16.2	3.7	STRW 065 140 11 XXX DDD					
		2	977	1420	2739	3421	3737	30.0	18.6							
		3	1301	1892	3649	4557	4978	47.8	31.4							
	16	1	1156	1757	3390	4233	4625	26.0	19.3	5.5	STRW 065 140 16 XXX DDD					
		2	1182	1797	3465	4328	4728	30.0	20.4							
		3	1758	2670	5150	6431	7026	48.9	34.5							
	21	1	1262	2427	4543	5617	6112	26.0	19.3	7.4	STRW 065 140 21 XXX DDD					
		2	1290	2481	4645	5743	6249	30.0	20.4							
		3	1917	3687	6903	8534	9286	48.9	34.5							

Output measured in accordance with EN 16430
 *Noise measurement according to ISO 3741:2010, at
 a 2-m distance from the unit and with an assumed
 room attenuation of 8 dB(A)/room volume 100 m³ /
 reverberation time 0.5 sec.

enter colour code |
 enter control system code |

STRADA HYBRID

HEIGHT 095



HEIGHT H cm	LENGTH L cm	TYPE T	POSITION	COOLING (non-condensing) Room temperature 27°C					HEATING Room temperature 20°C					SOUND PRESSURE LEVEL dB(A)	POWER CONSUMPTION Watts	WEIGHT kg	WATER CONTENT L	ORDER CODE
				16/18 Watts	35/30 Watts	45/40 Watts	50/45 Watts	55/45 Watts	35/30 Watts	45/40 Watts	50/45 Watts	55/45 Watts						
STRW 095	060	11	1	148	246	474	592	647	26.0	4.8	0.8	STRW 065 060 11 XXX DDD						
			2	159	263	508	634	693	30.0	5.4								
			3	188	311	601	750	820	40.0	6.8								
16	1	166	1	166	301	581	726	793	26.0	4.8	1.2	STRW 065 060 16 XXX DDD						
			2	178	323	624	779	851	30.0	5.5								
			3	236	428	826	1031	1126	41.1	7.2								
21	1	181	1	181	416	779	963	1048	26.0	4.8	1.6	STRW 065 060 21 XXX DDD						
			2	195	447	836	1034	1125	30.0	5.5								
			3	257	591	1106	1368	1488	41.1	7.2								
070	11	1	1	181	301	580	724	791	26.0	5.5	0.9	STRW 065 070 11 XXX DDD						
			2	194	322	622	777	849	30.0	5.9								
			3	233	385	743	928	1014	41.0	7.9								
16	1	170	1	170	350	676	844	922	26.0	5.1	1.4	STRW 065 070 16 XXX DDD						
			2	183	376	725	906	990	30.0	5.6								
			3	242	498	960	1199	1310	41.1	7.2								
21	1	186	1	186	456	854	1056	1149	26.0	5.1	1.9	STRW 065 070 21 XXX DDD						
			2	200	490	917	1134	1234	30.0	5.6								
			3	265	648	1214	1501	1633	41.1	7.2								
080	11	1	1	214	355	684	854	933	26.0	6.3	1.1	STRW 065 080 11 XXX DDD						
			2	229	381	735	917	1002	30.0	6.8								
			3	277	460	887	1107	1210	41.8	9.1								
16	1	242	1	242	439	847	1058	1156	26.0	6.0	1.6	STRW 065 080 16 XXX DDD						
			2	260	471	908	1134	1239	30.0	6.7								
			3	349	632	1219	1522	1663	42.4	9.0								
21	1	264	1	264	456	854	1056	1149	26.0	6.0	2.1	STRW 065 080 21 XXX DDD						
			2	283	490	917	1134	1234	30.0	6.7								
			3	380	873	1634	2020	2197	42.4	9.0								
090	11	1	1	246	355	684	854	933	26.0	6.7	1.2	STRW 065 090 11 XXX DDD						
			2	264	381	735	917	1002	30.0	7.4								
			3	322	534	1029	1286	1405	42.4	10.3								
16	1	277	1	277	503	970	1211	1323	26.0	7.0	1.8	STRW 065 090 16 XXX DDD						
			2	297	539	1039	1298	1418	30.0	7.7								
			3	405	734	1415	1767	1931	43.3	10.7								
21	1	303	1	303	694	1300	1607	1749	26.0	7.0	2.4	STRW 065 090 21 XXX DDD						
			2	324	744	1393	1722	1874	30.0	7.7								
			3	441	1013	1897	2345	2552	43.3	10.7								
100	11	1	1	277	460	887	1107	1210	26.0	7.8	1.3	STRW 065 100 11 XXX DDD						
			2	298	495	955	1193	1303	30.0	8.7								
			3	367	608	1173	1465	1600	43.0	12.2								
16	1	312	1	312	566	1092	1364	1490	26.0	7.0	2.0	STRW 065 100 16 XXX DDD						
			2	334	606	1169	1460	1595	30.0	7.7								
			3	461	836	1612	2013	2199	44.1	10.7								
21	1	341	1	341	782	1464	1809	1969	26.0	7.0	2.7	STRW 065 100 21 XXX DDD						
			2	365	837	1567	1937	2108	30.0	7.7								
			3	503	1154	2160	2671	2906	44.1	10.7								
110	11	1	1	311	516	995	1242	1357	26.0	8.4	1.5	STRW 065 110 11 XXX DDD						
			2	335	556	1072	1339	1462	30.0	9.3								
			3	411	682	1315	1643	1795	43.5	14.0								
16	1	316	1	316	613	1183	1477	1614	26.0	7.9	2.2	STRW 065 110 16 XXX DDD						
			2	338	657	1267	1582	1728	30.0	8.8								
			3	467	905	1746	2181	2383	44.1	12.5								
21	1	345	1	345	821	1536	1899	2067	26.0	7.9	2.9	STRW 065 110 21 XXX DDD						
			2	370	879	1645	2034	2213	30.0	8.8								
			3	510	1211	2268	2804	3051	44.1	12.5								
120	11	1	1	339	562	1084	1354	1479	26.0	8.9	1.6	STRW 065 120 11 XXX DDD						
			2	367	607	1171	1463	1598	30.0	9.9								
			3	456	756	1459	1822	1990	44.0	14.8								
16	1	384	1	384	698	1346	1681	1836	26.0	8.7	2.4	STRW 065 120 16 XXX DDD						
			2	412	747	1441	1800	1966	30.0	9.8								
			3	574	1039	2005	2504	2735	44.8	14.3								
21	1	420	1	420	963	1804	2230	2426	26.0	8.7	3.2	STRW 065 120 21 XXX DDD						
			2	449	1032	1932	2388	2598	30.0	9.8								
			3	625	1435	2687	3322	3615	44.8	14.3								
140	11	1	1	399	662	1277	1595	1743	26.0	10.1	1.6	STRW 065 120 11 XXX DDD						
			2	432	717	1383	1728	1887	30.0	11.2								
			3	546	905	1745	2179	2380	44.8	17.5								
16	1	456	1	456	827	1596	1993	2177	26.0	9.6	2.4	STRW 065 120 16 XXX DDD						
			2	488	886	1709	2134	2332	30.0	10.5								
			3	686	1243	2398	2995	3272	45.4	16.1								
21	1	498	1	498	1143	2139	2645	2877	26.0	9.6	3.2	STRW 065 120 21 XXX DDD						
			2	533	1224	2291	2832	3082	30.0	10.5								
			3	748	1717	3214	3974	4324	45.4	16.1								

Output measured in accordance with EN 16430
 *Noise measurement according to ISO 3741:2010, at
 a 2-m distance from the unit and with an assumed
 room attenuation of 8 dB(A)/room volume 100 m³ /
 reverberation time 0.5 sec.

enter colour code
 enter control system code

STRADA HYBRID

PARTS

COVER PLATE (silver)



ORDER CODE

22165 000 400 11

COVER PLATE (white)



ORDER CODE

22165 000 400 12

MOUNTING SET FOR BACK BAR (in pairs)



ORDER CODE

5521 011

BRACKETS (per unit)



Number of brackets for heat exchanger

- from lengths 050 to 110 cm: 2 units
- from lengths 120 to 220 cm: 3 units
- from lengths 240 to 280 cm: 4 units

ORDER CODE

5121 020 000 11

Type of heat exchanger
Height

HEAT EXCHANGER



STANDARD DELIVERY:

- heat exchanger
- incl. angled air vent and drain cock

ORDER CODE

5003 000 050 11

Type of heat exchanger
Length

Overview types of heat exchangers

Strada Hybrid Type 10 Strada Hybrid Type 11 Strada Hybrid Type 15 Strada Hybrid Type 16 Strada Hybrid Type 20 Strada Hybrid Type 21



EXTENDED AIR VENT 1/8"



Order code	H35						H50						H65						H95						
	Type	10	11	15	16	20	21	10	11	15	16	20	21	10	11	15	16	20	21	10	11	15	16	20	21
50900 114 078	-	✓	-	✓	-	✓	-	-	-	-	-	-	-	-	-	-	-	-	-	-	-	-	-	-	-
50900 114 178	✓	-	✓	-	✓	-	-	-	-	-	-	-	-	-	-	-	-	-	-	-	-	-	-	-	-
50900 114 278	-	-	-	-	-	-	✓	-	✓	-	✓	-	-	-	-	-	-	-	-	-	-	-	-	-	-
50900 114 378	-	-	-	-	-	-	✓	-	✓	-	✓	-	-	✓	-	✓	-	✓	-	-	-	-	-	-	-
50900 114 528	-	-	-	-	-	-	-	-	-	-	-	-	✓	-	✓	-	✓	-	-	-	-	-	-	-	-
50900 114 728	-	-	-	-	-	-	-	-	-	-	-	-	-	-	-	-	-	-	-	✓	✓	✓	✓	✓	✓

DBH UPGRADE SET



STANDARD DELIVERY:

- fan unit(s)
- control board with microcontroller and remote control
- AC adapter 230 V/ 24VDC

ORDER CODE

DBHS 060 10 DDD

Control:
 D01: Jaga TPT
 D03: Jaga BMS
 D09: Jaga ACO
 DBH Upgrade set
 Length

Which type of fan unit is suited for a type of heat exchanger?

	Strada Hybrid Type 10	Strada Hybrid Type 11	Strada Hybrid Type 15	Strada Hybrid Type 16	Strada Hybrid Type 20	Strada Hybrid Type 21
DBH unit 10						
DBH unit 15						

The indicated outputs at ΔT 50 are exact values, measured in accordance with EN442. This table provides a calculated value using an average correction factor for all other ΔT outputs, valid for all dimensions.

Click www.jaga.com/selection-tools/ to download the calculation tools with the exact outputs. The online calculation tools are kept up to date with the most recent data. Minor output differences between printed tables and the different online calculation tools are therefore completely normal and within the margins of tolerance imposed by the standard.

AVERAGE CORRECTION FACTORS FOR HYBRID PRODUCTS - 75/65/20°C

room temperature: 20°C Average N-value: 1.10

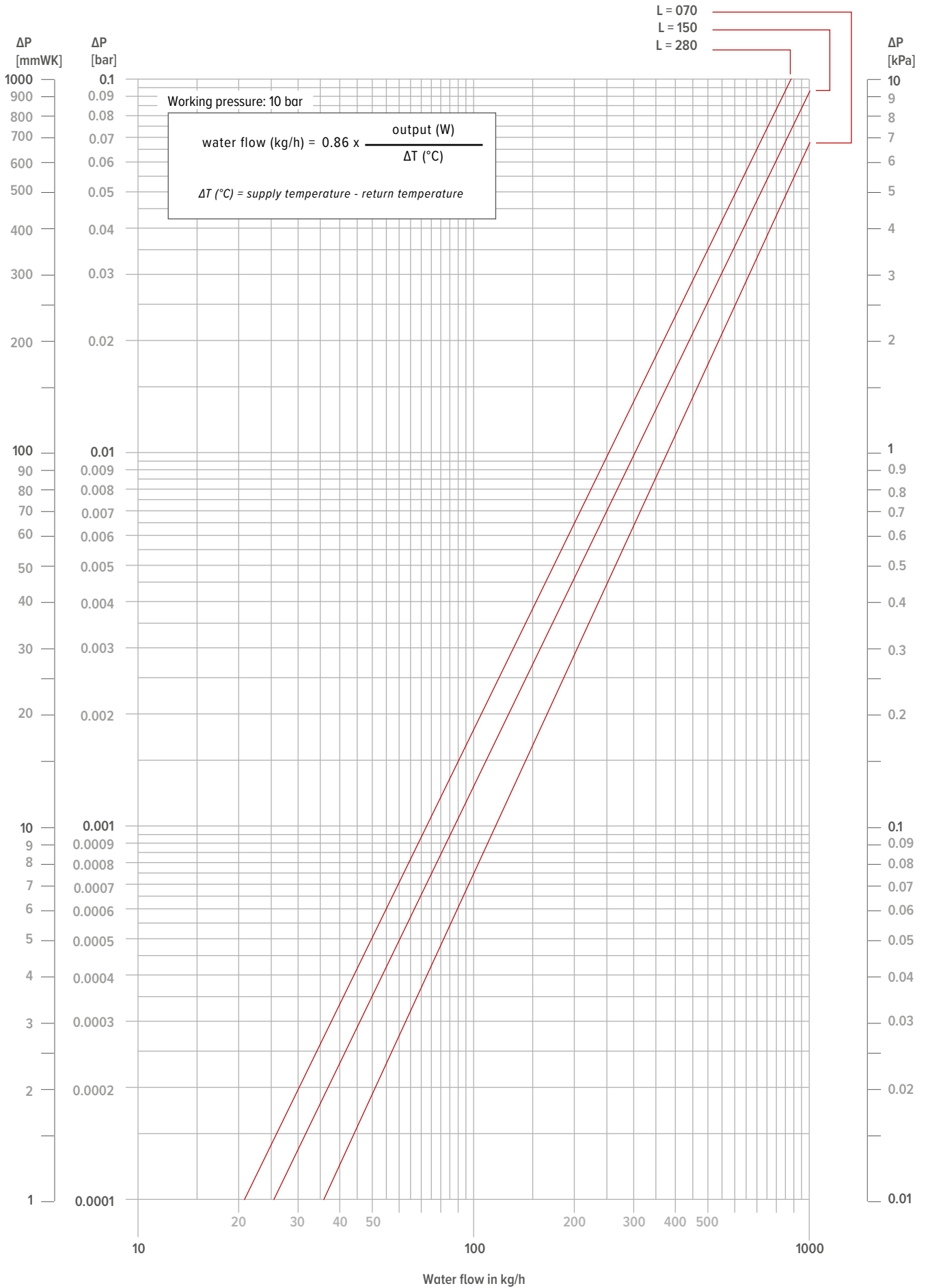
	TR	65	60	55	50	45	40	35	30	25
TA										
75	1.00	0.94	0.88	0.81	0.74	0.67	0.59	0.50	0.38	
70	0.95	0.89	0.83	0.77	0.70	0.63	0.55	0.47	0.36	
65		0.84	0.78	0.72	0.66	0.59	0.52	0.43	0.33	
60			0.73	0.67	0.61	0.55	0.48	0.40	0.30	
55				0.62	0.57	0.51	0.44	0.37	0.28	
50					0.52	0.46	0.40	0.33	0.25	
45						0.42	0.36	0.29	0.22	
40							0.31	0.26	0.19	
35								0.22	0.15	
30									0.12	

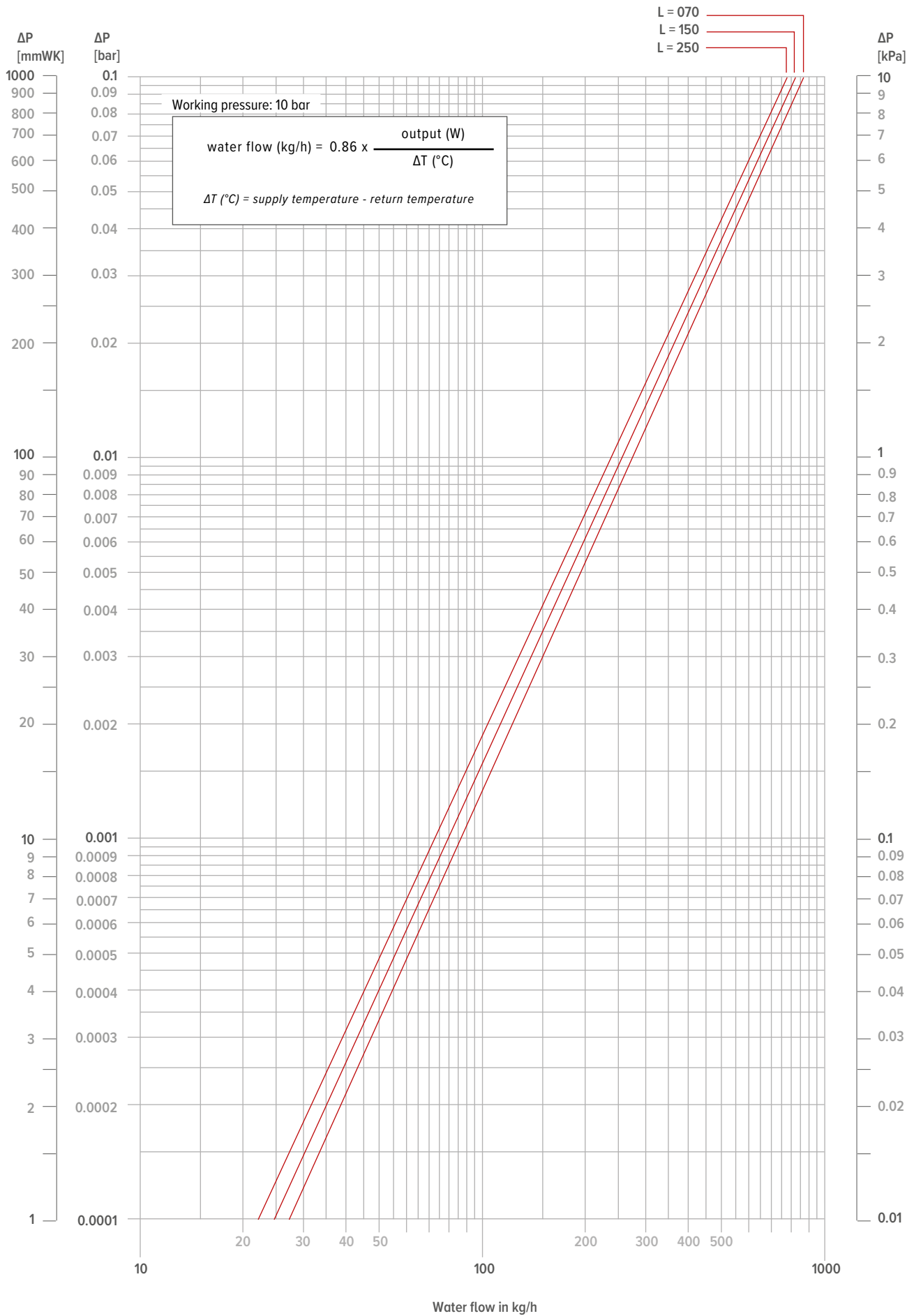
room temperature: 24°C Average N-value: 1.10

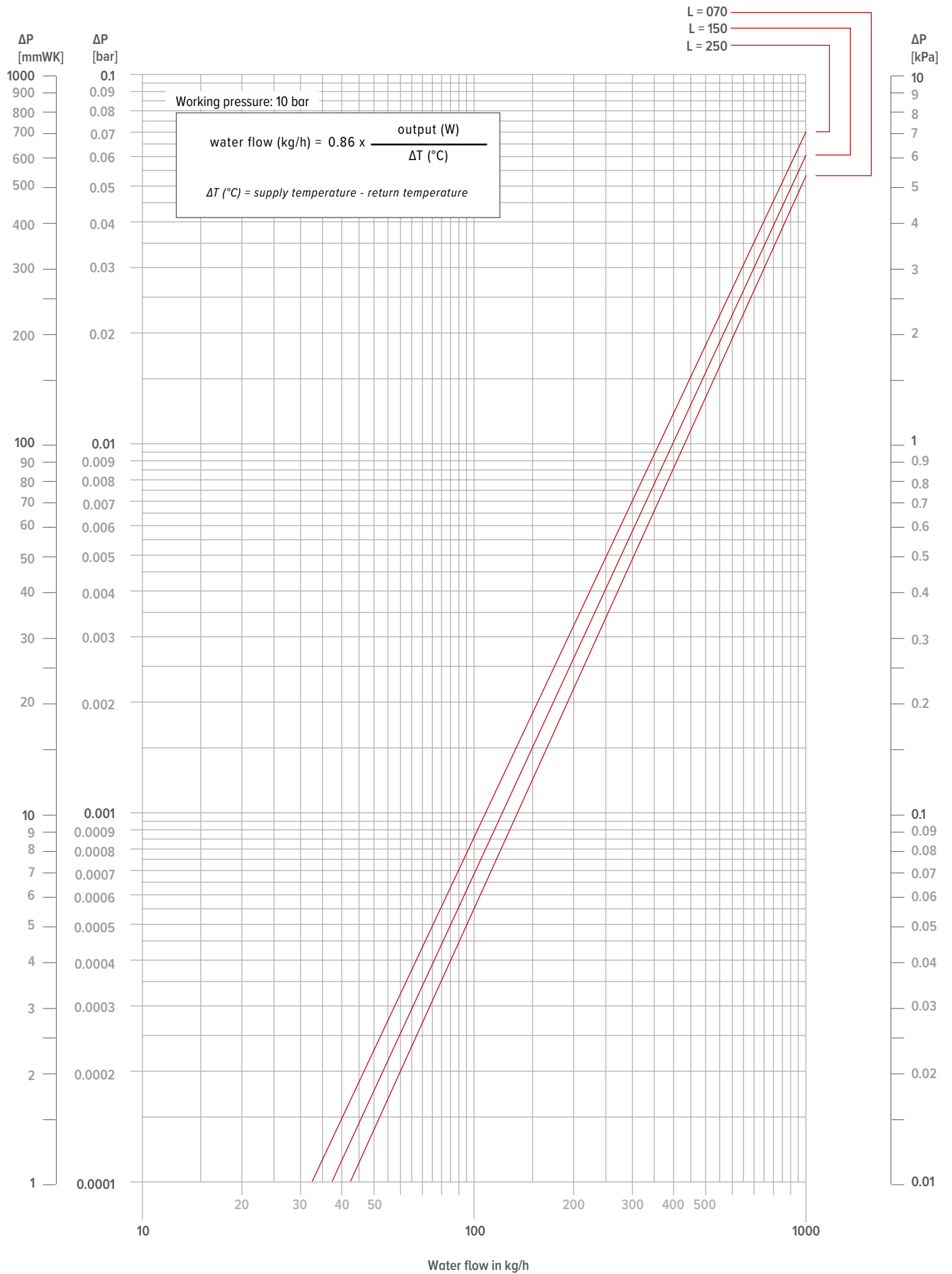
	TR	65	60	55	50	45	40	35	30	25
TA										
75	0.91	0.85	0.79	0.72	0.65	0.58	0.49	0.39	0.22	
70	0.86	0.80	0.74	0.68	0.61	0.54	0.46	0.36	0.20	
65		0.75	0.69	0.63	0.57	0.50	0.42	0.33	0.19	
60			0.64	0.59	0.53	0.46	0.39	0.30	0.17	
55				0.54	0.48	0.42	0.35	0.27	0.15	
50					0.44	0.38	0.32	0.24	0.13	
45						0.33	0.28	0.21	0.11	
40							0.23	0.17	0.09	
35								0.14	0.07	
30									0.04	

GUIDELINE FOR LIMITING FLOW NOISE

TUBE	outer Ø mm	Wall thick- ness mm	Max. water speed (EN10255) m/s	water content per metre l	max. water flow kg/h	Maximum power at ΔT (° C) (T supply - T return)						
						ΔT 30	ΔT 20	ΔT 10	ΔT 5	ΔT 4	ΔT 3	ΔT 2
						Watts	Watts	Watts	Watts	Watts	Watts	Watts
GALVANISED PIPE DIN 2440												
3/8 DN10 OD	17.2	2.35	0.40	0.12	173	6028	4019	2009	1005	804	603	402
1/2 DN15 OD	21.3	2.65	0.40	0.20	288	10046	6698	3349	1674	1340	1005	670
3/4 DN20 OD	26.9	2.65	0.42	0.37	559	19515	13010	6505	3253	2602	1952	1301
1 DN25 OD	33.7	3.25	0.49	0.58	1023	35690	23793	11897	5948	4759	3569	2379
1 1/4 DN32 OD	42.4	3.25	0.60	1.01	2182	76101	50734	25367	12684	10147	7610	5073
1 1/2 DN40 OD	48.3	3.25	0.66	1.37	3255	113549	75700	37850	18925	15140	11355	7570
2 DN50 OD	60.3	3.65	0.80	2.21	6365	222025	148017	74008	37004	29603	22203	14802
PRECISION METAL TUBE												
10/1	10	1.00	0.40	0.05	72	2512	1674	837	419	335	251	167
12/1	12	1.00	0.40	0.08	115	4019	2679	1340	670	536	402	268
14/1	14	1.00	0.40	0.11	158	5526	3684	1842	921	737	553	368
15/1	15	1.00	0.40	0.13	187	6530	4353	2177	1088	871	653	435
16/1	16	1.00	0.40	0.15	216	7535	5023	2512	1256	1005	753	502
18/1	18	1.00	0.40	0.20	288	10046	6698	3349	1674	1340	1005	670
22/1	22	1.00	0.40	0.31	446	15572	10381	5191	2595	2076	1557	1038
28/1	28	1.00	0.47	0.53	904	31522	21014	10507	5254	4203	3152	2101
RPE/ALU												
12/2	12	2.00	0.40	0.05	72	2512	1674	837	419	335	251	167
14/2	14	2.00	0.40	0.08	115	4019	2679	1340	670	536	402	268
16/1.5	16	1.50	0.40	0.13	187	6530	4353	2177	1088	871	653	435
16/2	16	2.00	0.40	0.11	158	5526	3684	1842	921	737	553	368
17/2	17	2.00	0.40	0.13	187	6530	4353	2177	1088	871	653	435
18/2	18	2.00	0.40	0.15	216	7535	5023	2512	1256	1005	753	502
20/2	20	2.00	0.40	0.20	288	10046	6698	3349	1674	1340	1005	670
26/3	26	3.00	0.40	0.31	446	15572	10381	5191	2595	2076	1557	1038
32/3	32	3.00	0.47	0.53	904	31522	21014	10507	5254	4203	3152	2101
40/3.5	40	3.50	0.56	0.86	1726	60220	40147	20073	10037	8029	6022	4015
50/4.25	50	4.25	0.66	1.35	3206	111824	74549	37275	18637	14910	11182	7455
63/5	63	5.00	0.80	2.21	6346	221359	147573	73786	36893	29515	22136	14757









jaga CLIMATE
DESIGNERS

JAGA INTERNATIONAL JAGA NV

In need of some advice? Make an appointment at the Jaga Advice Centre.

Verbindingslaan 16
3590 Diepenbeek

+32 (0) 11 29 41 12

export@jaga.be
jaga.com