

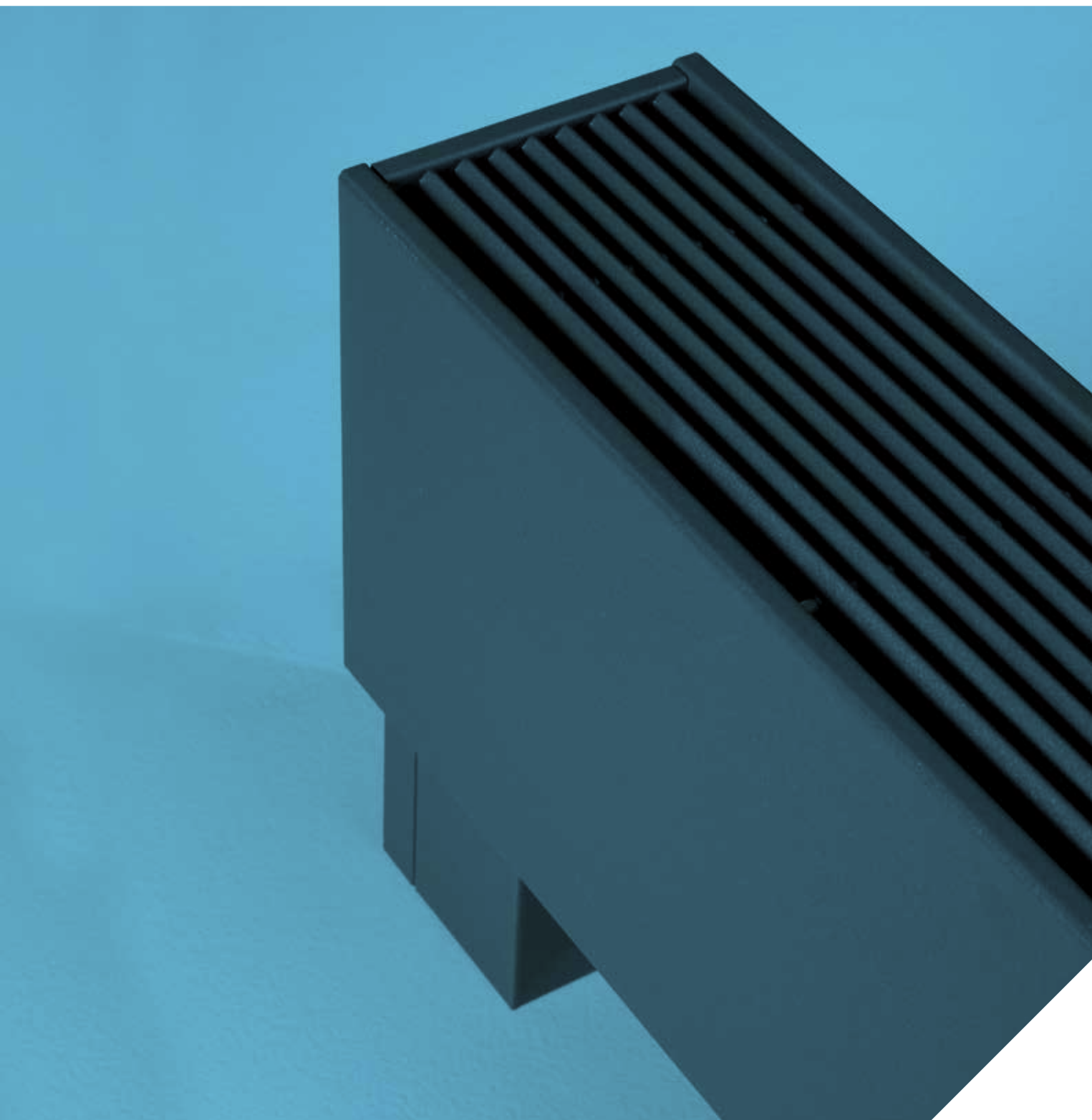
jaga

CLIMATE DESIGNERS

Heating 

Light cooling 

MINI FREESTANDING HYBRID € 2024.EX



jaga

CLIMATE DESIGNERS

MINI FREESTANDING HYBRID

Unobtrusive Hercules.

- For spaces with large windows, glazed façades, for window displays, conservatories, under window seats and for dwarf walls.
- Equipped as standard with pipe work guard.
- No wasteful heat loss from radiation through glazing.
- Stable one-piece casing.
- Low-H₂O technology with super conductive and ultra fast heat exchanger for low energy consumption and maximum heat emission.
- Twin Power for better compensation of the downward cold air flow next to glazed façades or ventilation grilles.
- Safe surface temperature.
- **A 30 year guarantee** on the heat exchanger.





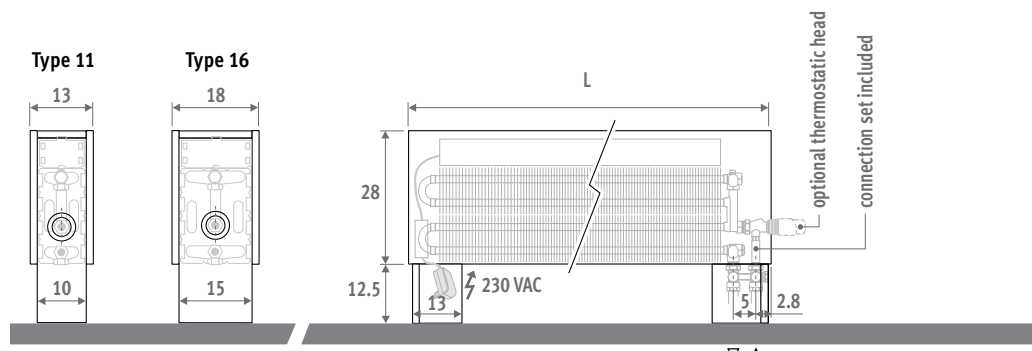
MINI FREESTANDING HYBRID



MINI FREESTANDING HYBRID

DIMENSIONS (in cm)

Connection set included



DELIVERY

Easy to install.

Standard delivery:

- pre-assembled radiator on integrated feet, consisting of a one piece casing, feet with pipe guard, DBH set incl. operation, control and power supply 24 VDC
- detachable grille
- Jaga thermostatic H-valve and sleeve couplings. Connections 3/4" Eurocone in the foot, left or right.
- straight air vent 1/8"
- collar in stainless steel effect for the connection side

COLOURS

Environmentally friendly, scratch-resistant, high UV resistant powder coating.

Standard colours:

- traffic white RAL 9016 (133), soft touch lightly structured satin lacquer
- sandblast grey (001), fine texture metallic lacquer
- off-black RAL 7021 (145) Soft touch: finely-textured matte look, gloss degree < 10%

Other colours: see colour chart.

OPTIONS

Thermostatic heads



Surcharge Thermostatic head	€
.../AC Heating	54
.../AS Heating	44
.../AW Heating	36
.../JW Heating	44
.../HC Heating and cooling	91
.../MA Heating and cooling	5,60

DIMENSIONS	POSITION	HEATING Room temperature 20°C				COOLING Room temperature 27°C	SOUND PRESSURE dB(A)	ELECTRIC POWER CONSUMPTION W	PRICE Standard colours €	PRICE Other colours €	ORDER CODE	
		L cm	B cm	75/65 Watt	55/45 Watt	45/35 Watt						35/30 Watt
081	11	1	1648	933	589	355	276	26.0	6.3	1304	1417	MIFH.02808111.XXX/X/00/...
		2	1770	1002	633	381	296	30.0	6.8			
		3	2136	1210	764	460	358	41.8	9.1			
	16	1	2040	1156	730	439	312	26.0	6.0	1406	1519	MIFH.02808116.XXX/X/00/...
		2	2188	1239	783	471	335	30.0	6.7			
		3	2936	1663	1050	632	450	42.4	9.0			
101	11	1	2136	1210	764	460	358	26.0	7.8	1411	1590	MIFH.02810111.XXX/X/00/...
		2	2301	1303	823	495	385	30.0	8.7			
		3	2825	1600	1011	608	473	43.0	12.2			
	16	1	2630	1490	941	566	403	26.0	7.0	1584	1764	MIFH.02810116.XXX/X/00/...
		2	2817	1595	1008	606	431	30.0	7.7			
		3	3883	2199	1389	836	595	44.1	10.7			
121	11	1	2612	1479	935	562	437	26.0	8.9	1576	1755	MIFH.02812111.XXX/X/00/...
		2	2822	1598	1010	607	473	30.0	9.9			
		3	3514	1990	1257	756	589	44.0	14.8			
	16	1	3242	1836	1160	698	496	26.0	8.7	1719	1899	MIFH.02812116.XXX/X/00/...
		2	3472	1966	1242	747	532	30.0	9.8			
		3	4830	2735	1728	1039	740	44.8	14.3			
141	11	1	3077	1743	1101	662	515	26.0	10.1	1753	1933	MIFH.02814111.XXX/X/00/...
		2	3333	1887	1192	717	558	30.0	11.2			
		3	4203	2380	1504	904	704	44.8	17.5			
	16	1	3844	2177	1376	827	589	26.0	9.6	1893	2073	MIFH.02814116.XXX/X/00/...
		2	4117	2332	1473	886	630	30.0	10.5			
		3	5777	3272	2067	1243	885	45.4	14.4			
181	11	1	4031	2283	1442	867	675	26.0	12.2	2008	2187	MIFH.02818111.XXX/X/00/...
		2	4376	2478	1566	942	733	30.0	13.7			
		3	5581	3161	1997	1201	935	46.0	22			
	16	1	4843	2743	1733	1042	686	26.0	11.5	2129	2308	MIFH.02818116.XXX/X/00/...
		2	5171	2929	1850	1113	733	30.0	12.8			
		3	7371	4175	2637	1586	1045	46.4	19.6			
241	11	1	5238	2967	1874	1127	877	26.0	14.8	2518	2831	MIFH.02824111.XXX/X/00/...
		2	5738	3250	2053	1235	961	30.0	16.6			
		3	7648	4331	2736	1646	1281	47.2	28.0			
	16	1	6916	3917	2475	1488	1059	26.0	16.4	2750	3064	MIFH.02824116.XXX/X/00/...
		2	7168	4060	2565	1543	1098	30.0	17.7			
		3	10512	5953	3761	2262	1610	48.1	29.7			

fill in colour code
C (Crossflow H-block) or S (H-block)
enter code thermostatic head
fill in sleeve coupling code
Precision metal tube 15/1 **115**
Precision metal tube 16/1 **116**
RPE/ALU tube 16/2 **616**
RPE/ALU tube 20/2 **620**
(other sleeve couplings:
see "Connection sets and Valves Low-H₂O")



NOTES

jaga
CLIMATE
DESIGNERS

Jaga International
Verbindingslaan 16
B-3590 Diepenbeek

Tel.: +32 (0)11 29 41 12
Fax: +32 (0)11 29 41 60
export@jaga.com

The information in this price list is correct at the time of printing.
Jaga reserves the right to change product specification at any time in line
with our policy of continuous improvement and innovation.
All prices in Euro, exclude VAT. Prices valid from January 1, 2024.
Replaces all existing price lists.