

jaga

CLIMATE DESIGNERS



MINI WALL



MINI

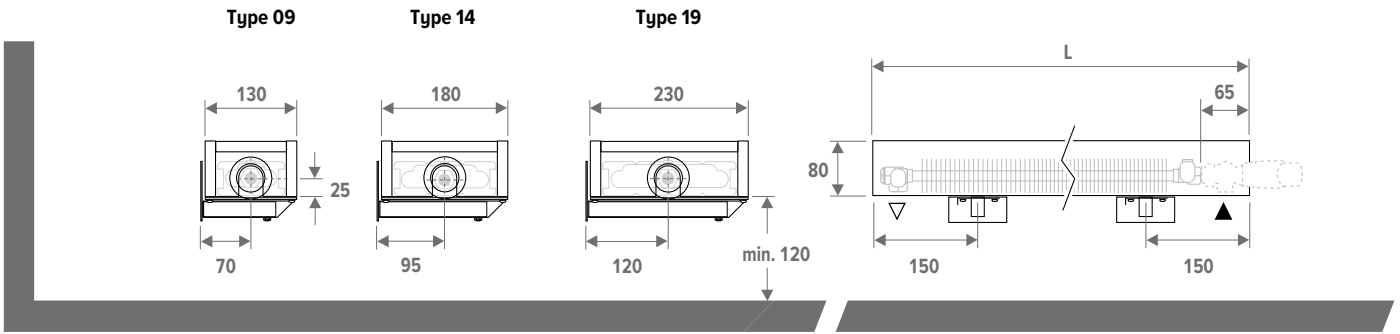
CONTENT	3
TECHNICAL INFORMATION	5
Dimensions	5
Standard delivery	5
Colours	5
Hydronic connection	6
Height 008 Standard: flow left or right	6
Height 013 - 023 - 028 Standard: Connection left or right with controls below	6
Height 013 - 023 - 028 remote controlled	6
Most used connection sets	7
Height 008	7
Height 013- 023 - 028	7
Technical table	8
Height 020	8
Height 013	9
Height 023	10
Height 028	11
Parts	12
Correction factors	13
Pressure drop	14
Type 05	14
Type 06	15
Type 09 other end	16
Type 10	17
Type 11	18
Type 14 other end	19
Type 15	20
Type 16	21
Type 19 other end	22
Type 20	23
Type 21	24



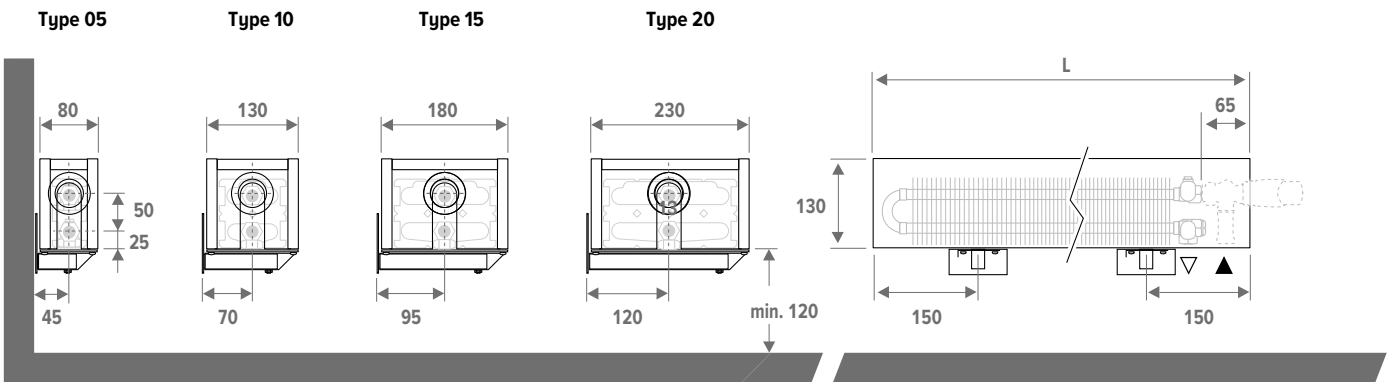
MINI

DIMENSIONS (in mm)

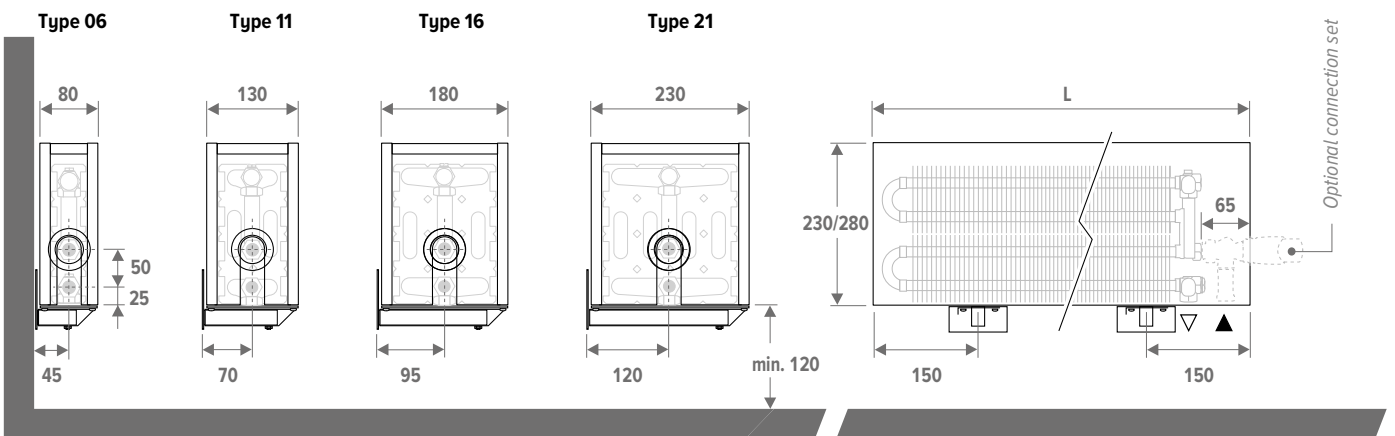
HEIGHT 008 (opposite end connections)



HEIGHT 013



HEIGHT 023 / 028



STANDARD DELIVERY

- Low-H₂O heat exchanger, with dirt and dust repellent coating in graphite grey (RAL 7024)
- wall brackets, mounting set, 1/8" air vent and 1/2" drain cock
- casing in one piece for connection left or right
- wall brackets in the same colour as the casing

COLOURS

Eco-friendly, scratch-resistant powder coating with high UV-resistance

Standard colours

- traffic white RAL 9016 (133), soft touch lightly structured satin lacquer
- sandblast grey (001), fine texture metallic lak
- off-black (145), soft touch lightly-textured satin lacquer

Other colours

See Jaga colour chart.

Surcharge depends on the length of the unit:

- Length < 100 cm
- Length of 100 cm to 200 cm
- Length > 200 cm

ORDER CODE

MINW 008 060 10 XXX

Colour
 Type
 Length
 Height

MINI HEIGHT 008

HYDRONIC CONNECTION

STANDARD: OPPOSITE END CONNECTIONS, FLOW LEFT OR RIGHT

Bottom left or right, to the wall or to the floor. Wall connection via underside of casing. Wall connection inside the casing not possible due to the closed back panel. The installer can rotate the heat exchanger to accommodate a left or right-side connection.

Connection to the wall: set 225 or 285 and 1 angle



Connection to the floor: set 222 or 282



MINI HEIGHT 013 - 023 - 028

HYDRONIC CONNECTION

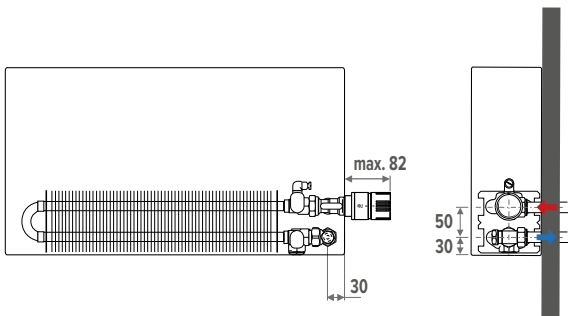
STANDARD: CONNECTION LEFT OR RIGHT WITH CONTROLS BELOW

Bottom left or right, to the wall or to the floor. Wall connection via underside of casing. Wall connection inside the casing not possible due to the closed back panel.

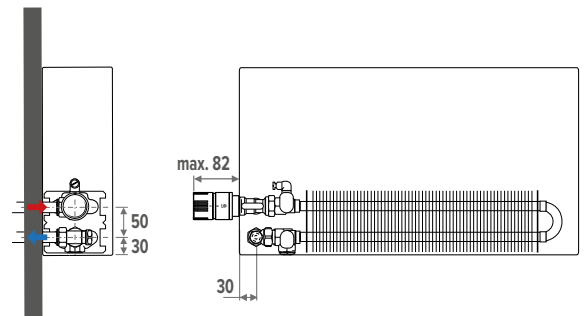
Compatible Eurocone connection sets: 101, 102, 103, 104, 181, 182, 183, 184, 222, 225, 226, 282, 285

Compatible M24 connection sets: 11, 12, 13, 14

Example of connection to the right (standard)



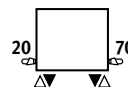
Example of connection to the left



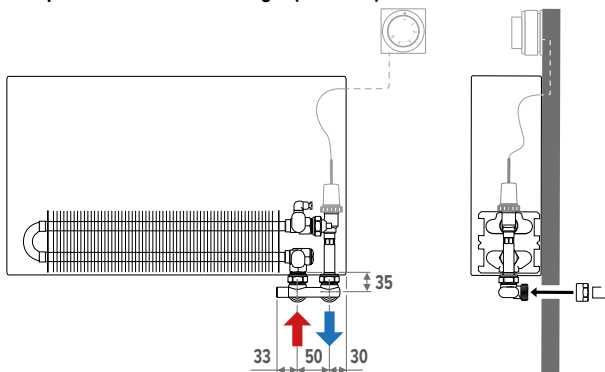
CONNECTION LEFT OR RIGHT WITH REMOTE CONTROL

Complete the radiator code with **00** (closed sides). EX. MINW.013 060 05 xxx **00**

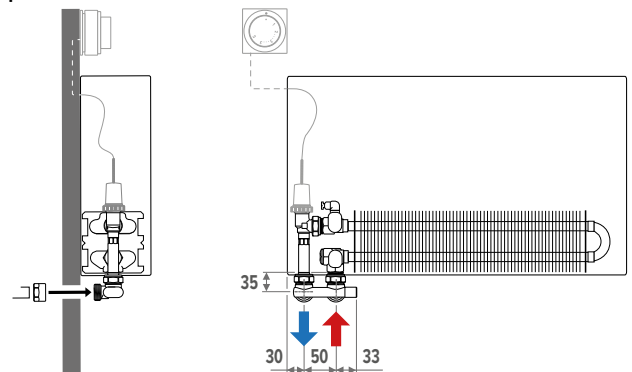
Compatible Eurocone connection sets: 111, 112, 113, 114



Example of connection to the right (standard)



Example of connection to the left



MINI HEIGHT 008

TO THE WALL
With Jaga valve



set	KVS: 0.8	TWO PIPE	
225		COLO SW2 AC 4...	AC
		COLO SW2 AW 4...	AW
		COLO SW2 AS 4...	AS
		COLO SW2 AB 4...	AB
		COLO SW2 JH 4...	JH

fill in sleeve coupling code

With Gampper Vario DP Dynamic valve



set	automatic flow limiter (20 - 340 l/h)	TWO PIPE	
285		COLO GW2 AC 4...	AC
		COLO GW2 AW 4...	AW
		COLO GW2 AS 4...	AS
		COLO GW2 AB 4...	AB
		COLO.GW2.JH.4...	JH

fill in sleeve coupling code

TO THE FLOOR
With Jaga valve



set	KVS: 0.8	TWO PIPE	
222		COLO JF2 AC 4...	AC
		COLO JF2 AW 4...	AW
		COLO JF2 AS 4...	AS
		COLO JF2 AB 4...	AB
		COLO JF2 JH 4...	JH

fill in sleeve coupling code

With Gampper Vario DP Dynamic valve



set	automatic flow limiter (20 - 340 l/h)	TWO PIPE	
282		COLO GF2 AC 4...	AC
		COLO GF2 AW 4...	AW
		COLO GF2 AS 4...	AS
		COLO GF2 AB 4...	AB
		COLO GF2 JH 4...	JH

fill in sleeve coupling code

Angle



5095 4020

For extensive information on valves, see the brochure "Connection sets & Valves"

Sleeve couplings 3/4" Eurocone

PRECISION METAL TUBE		SYNTHETIC OR RPE/ALU	
CODE	Tube Ø	CODE	Tube Ø
112	12/1	612	12/2
114	14/1	614	14/2
115	15/1	616	16/2
116	16/1	618	18/2
118	18/1	619	16/1.5
		620	20/2

MINI HEIGHT 013- 023 - 028

TO THE WALL - FLOW ON THE OUTSIDE
With Jaga H-valve



set	KVS: 0.8	TWO PIPE / ONE PIPE	
103		COLO HBSW AC 4...	AC
		COLO HBSW AW 4...	AW
		COLO HBSW AS 4...	AS
		COLO HBSW AB 4...	AB
		COLO HBSW JH 4...	JH

fill in sleeve coupling code

With Gampper Vario DP Dynamic valve



set	automatic flow limiter (20 - 340 l/h)	TWO PIPE	
183		COLO GASW AC 4...	AC
		COLO GASW AW 4...	AW
		COLO GASW AS 4...	AS
		COLO GASW AB 4...	AB
		COLO GASW JH 4...	JH

fill in sleeve coupling code

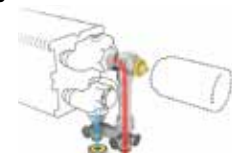
TO THE FLOOR - FLOW ON THE OUTSIDE
With Jaga H-valve



set	KVS: 0.8	TWO PIPE / ONE PIPE	
104		COLO HBSF AC 4...	AC
		COLO HBSF AW 4...	AW
		COLO HBSF AS 4...	AS
		COLO HBSF AB 4...	AB
		COLO HBSF JH 4...	JH

fill in sleeve coupling code

With Gampper Vario DP Dynamic valve



set	automatic flow limiter (20 - 340 l/h)	TWO PIPE	
184		COLO GASF AC 4...	AC
		COLO GASF AW 4...	AW
		COLO GASF AS 4...	AS
		COLO GASF AB 4...	AB
		COLO GASF JH 4...	JH

fill in sleeve coupling code

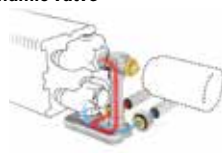
TO THE WALL - FLOW ON THE INSIDE
With Jaga Crossflow valve



set	KVS: 0.8	TWO PIPE	
101		COLO HBCW AC 4...	AC
		COLO HBCW AW 4...	AW
		COLO HBCW AS 4...	AS
		COLO HBCW AB 4...	AB
		COLO HBCW JH 4...	JH

fill in sleeve coupling code

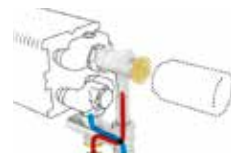
With Gampper Vario DP Dynamic valve



set	automatic flow limiter (20 - 340 l/h)	TWO PIPE	
181		COLO GACW AC 4...	AC
		COLO GACW AW 4...	AW
		COLO GACW AS 4...	AS
		COLO GACW AB 4...	AB
		COLO GACW JH 4...	JH

fill in sleeve coupling code

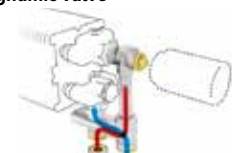
TO THE FLOOR - FLOW ON THE INSIDE
With Jaga Crossflow valve



set	KVS: 0.8	TWO PIPE	
102		COLO HBCF AC 4...	AC
		COLO HBCF AW 4...	AW
		COLO HBCF AS 4...	AS
		COLO HBCF AB 4...	AB
		COLO HBCF JH 4...	JH

fill in sleeve coupling code

With Gampper Vario DP Dynamic valve



set	automatic flow limiter (20 - 340 l/h)	TWO PIPE	
182		COLO GACF AC 4...	AC
		COLO GACF AW 4...	AW
		COLO GACF AS 4...	AS
		COLO GACF AB 4...	AB
		COLO GACF JH 4...	JH

fill in sleeve coupling code

MINI WAND HEIGHT 008 (STANDARD)

TECHNICAL TABLE

Type 09

Type 14

Type 19



HEIGHT H cm	LENGTH L cm	TYPE T	HEATING Room temperature 20°C					ORDER CODE
			35/30 Watts	45/40 Watts	50/45 Watts	55/45 Watts	75/65 Watts	
MINW 008 060	060	---	---	---	---	---	---	---
	09	35	82	109	123	255	MINW 008 060 09	
	14	57	134	178	200	416	MINW 008 060 14	
070	070	---	---	---	---	---	---	
	09	41	96	128	143	298	MINW 008 070 09	
	14	67	156	208	234	486	MINW 008 070 14	
080	080	---	---	---	---	---	---	
	09	47	109	146	163	340	MINW 008 080 09	
	14	77	179	238	267	555	MINW 008 080 14	
090	090	---	---	---	---	---	---	
	09	53	123	164	184	383	MINW 008 090 09	
	14	86	201	268	300	625	MINW 008 090 14	
100	100	---	---	---	---	---	---	
	09	59	137	182	204	425	MINW 008 100 09	
	14	96	223	298	333	694	MINW 008 100 14	
110	110	---	---	---	---	---	---	
	09	65	151	201	225	468	MINW 008 110 09	
	14	105	246	327	367	763	MINW 008 110 14	
120	120	---	---	---	---	---	---	
	09	70	164	219	245	510	MINW 008 120 09	
	14	115	268	357	400	833	MINW 008 120 14	
140	140	---	---	---	---	---	---	
	09	82	192	255	286	595	MINW 008 140 09	
	14	134	313	417	467	972	MINW 008 140 14	
160	160	---	---	---	---	---	---	
	09	94	219	292	327	680	MINW 008 160 09	
	14	153	357	476	533	1110	MINW 008 160 14	
180	180	---	---	---	---	---	---	
	09	106	246	328	368	765	MINW 008 180 09	
	14	172	402	535	600	1249	MINW 008 180 14	
200	200	---	---	---	---	---	---	
	09	117	274	364	408	850	MINW 008 200 09	
	14	192	447	595	667	1388	MINW 008 200 14	
220	220	---	---	---	---	---	---	
	09	129	301	401	449	935	MINW 008 220 09	
	14	211	492	655	734	1527	MINW 008 220 14	
240	240	---	---	---	---	---	---	
	09	141	328	437	490	1020	MINW 008 240 09	
	14	230	536	714	801	1666	MINW 008 240 14	
260	260	---	---	---	---	---	---	
	09	153	356	474	531	1105	MINW 008 260 09	
	14	249	581	773	867	1804	MINW 008 260 14	
280	280	---	---	---	---	---	---	
	09	164	383	510	572	1190	MINW 008 280 09	
	14	268	626	833	934	1943	MINW 008 280 14	
300	300	---	---	---	---	---	---	
	09	176	410	547	613	1275	MINW 008 300 09	
	14	287	670	893	1000	2082	MINW 008 300 14	
300	300	---	---	---	---	---	---	
	09	176	410	547	613	1275	MINW 008 300 09	
	14	287	670	893	1000	2082	MINW 008 300 14	
300	300	---	---	---	---	---	---	
	09	176	410	547	613	1275	MINW 008 300 09	
	14	287	670	893	1000	2082	MINW 008 300 14	

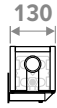
MINI WAND HEIGHT 013 (TWIN)

TECHNICAL TABLE

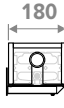
Type 05



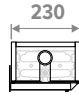
Type 10



Type 15



Type 20



HEIGHT H cm	LENGTH L cm	TYPE T	HEATING Room temperature 20°C					ORDER CODE
			35/30 Watts	45/40 Watts	50/45 Watts	55/45 Watts	75/65 Watts	
MINW 013 060	05	05	27	64	85	95	197	MINW 013 060 05
	10	10	42	97	130	146	303	MINW 013 060 10
	15	15	70	164	218	244	508	MINW 013 060 15
	20	20	99	231	308	345	717	MINW 013 060 20
MINW 013 070	05	05	32	74	99	111	230	MINW 013 070 05
	10	10	49	114	152	170	354	MINW 013 070 10
	15	15	82	191	255	285	593	MINW 013 070 15
	20	20	116	270	359	403	837	MINW 013 070 20
MINW 013 080	05	05	37	85	113	127	263	MINW 013 080 05
	10	10	56	130	173	194	404	MINW 013 080 10
	15	15	94	219	291	326	678	MINW 013 080 15
	20	20	132	308	410	460	956	MINW 013 080 20
MINW 013 090	05	05	41	96	127	143	296	MINW 013 090 05
	10	10	63	146	195	219	455	MINW 013 090 10
	15	15	105	246	327	367	762	MINW 013 090 15
	20	20	149	347	462	518	1076	MINW 013 090 20
MINW 013 100	05	05	46	106	141	158	329	MINW 013 100 05
	10	10	70	162	216	243	505	MINW 013 100 10
	15	15	117	273	364	407	847	MINW 013 100 15
	20	20	165	385	513	575	1195	MINW 013 100 20
MINW 013 110	05	05	50	117	156	174	362	MINW 013 110 05
	10	10	77	179	238	267	556	MINW 013 110 10
	15	15	129	301	400	448	932	MINW 013 110 15
	20	20	182	424	564	633	1315	MINW 013 110 20
MINW 013 120	05	05	55	128	170	190	395	MINW 013 120 05
	10	10	84	195	260	291	606	MINW 013 120 10
	15	15	141	328	436	489	1016	MINW 013 120 15
	20	20	198	462	616	690	1434	MINW 013 120 20
MINW 013 140	05	05	64	149	198	222	461	MINW 013 140 05
	10	10	97	227	303	340	707	MINW 013 140 10
	15	15	164	382	509	570	1186	MINW 013 140 15
	20	20	232	539	718	805	1673	MINW 013 140 20
MINW 013 160	05	05	73	170	226	253	526	MINW 013 160 05
	10	10	111	260	346	388	808	MINW 013 160 10
	15	15	188	437	582	652	1355	MINW 013 160 15
	20	20	265	617	821	920	1912	MINW 013 160 20
MINW 013 180	05	05	82	191	255	285	592	MINW 013 180 05
	10	10	125	292	389	437	909	MINW 013 180 10
	15	15	211	492	655	734	1525	MINW 013 180 15
	20	20	298	694	923	1035	2151	MINW 013 180 20
MINW 013 200	05	05	91	213	283	317	658	MINW 013 200 05
	10	10	139	325	433	485	1010	MINW 013 200 10
	15	15	234	546	727	815	1694	MINW 013 200 15
	20	20	331	771	1026	1150	2390	MINW 013 200 20
MINW 013 220	05	05	101	234	311	349	724	MINW 013 220 05
	10	10	153	357	476	534	1111	MINW 013 220 10
	15	15	258	601	800	896	1863	MINW 013 220 15
	20	20	364	848	1129	1265	2629	MINW 013 220 20
MINW 013 240	05	05	110	255	340	381	790	MINW 013 240 05
	10	10	167	390	519	582	1212	MINW 013 240 10
	15	15	281	656	873	978	2033	MINW 013 240 15
	20	20	397	925	1231	1380	2868	MINW 013 240 20
MINW 013 260	05	05	119	276	368	412	855	MINW 013 260 05
	10	10	181	422	563	631	1313	MINW 013 260 10
	15	15	305	710	945	1059	2202	MINW 013 260 15
	20	20	430	1002	1334	1495	3107	MINW 013 260 20
MINW 013 280	05	05	128	298	396	444	921	MINW 013 280 05
	10	10	195	455	606	679	1414	MINW 013 280 10
	15	15	328	765	1018	1141	2372	MINW 013 280 15
	20	20	463	1079	1436	1609	3346	MINW 013 280 20
MINW 013 300	05	05	137	319	424	475	987	MINW 013 300 05
	10	10	209	487	649	728	1515	MINW 013 300 10
	15	15	352	819	1091	1222	2541	MINW 013 300 15
	20	20	496	1156	1539	1724	3585	MINW 013 300 20

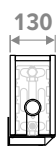
MINI WAND HEIGHT 023 (TWIN)

TECHNICAL TABLE

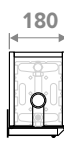
Type 06



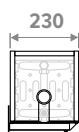
Type 11



Type 16



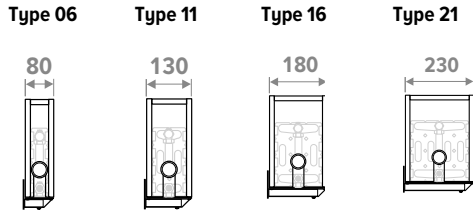
Type 21



HEIGHT H cm	LENGTH L cm	TYPE T	HEATING Room temperature 20°C					ORDER CODE
			35/30 Watts	45/40 Watts	50/45 Watts	55/45 Watts	75/65 Watts	
MINW 023 060	06	06	45	105	139	156	323	MINW 023 060 06
	11	11	80	190	254	285	601	MINW 023 060 11
	16	16	103	246	330	370	785	MINW 023 060 16
	21	21	132	317	426	479	1021	MINW 023 060 21
070	06	06	53	122	162	182	377	MINW 023 070 06
	11	11	94	222	296	333	701	MINW 023 070 11
	16	16	120	287	385	432	916	MINW 023 070 16
	21	21	154	370	497	559	1191	MINW 023 070 21
080	06	06	60	140	186	208	431	MINW 023 080 06
	11	11	107	253	339	381	802	MINW 023 080 11
	16	16	137	327	439	494	1046	MINW 023 080 16
	21	21	176	423	568	639	1361	MINW 023 080 21
090	06	06	68	157	209	234	485	MINW 023 090 06
	11	11	121	285	381	428	902	MINW 023 090 11
	16	16	155	368	494	555	1177	MINW 023 090 16
	21	21	198	475	639	719	1531	MINW 023 090 21
100	06	06	75	174	232	260	539	MINW 023 100 06
	11	11	134	317	424	476	1002	MINW 023 100 11
	16	16	172	409	549	617	1308	MINW 023 100 16
	21	21	220	528	710	799	1701	MINW 023 100 21
110	06	06	83	192	255	286	593	MINW 023 110 06
	11	11	147	348	466	523	1102	MINW 023 110 11
	16	16	189	450	604	679	1439	MINW 023 110 16
	21	21	243	581	781	878	1871	MINW 023 110 21
120	06	06	90	209	279	312	647	MINW 023 120 06
	11	11	161	380	508	571	1202	MINW 023 120 11
	16	16	206	491	659	741	1570	MINW 023 120 16
	21	21	265	634	852	958	2041	MINW 023 120 21
140	06	06	105	244	325	364	755	MINW 023 140 06
	11	11	188	443	593	666	1403	MINW 023 140 11
	16	16	241	573	769	864	1831	MINW 023 140 16
	21	21	309	739	994	1118	2381	MINW 023 140 21
160	06	06	120	279	371	416	862	MINW 023 160 06
	11	11	214	507	678	761	1603	MINW 023 160 11
	16	16	275	655	879	988	2093	MINW 023 160 16
	21	21	353	845	1136	1278	2722	MINW 023 160 21
180	06	06	135	314	418	468	970	MINW 023 180 06
	11	11	241	570	763	857	1804	MINW 023 180 11
	16	16	309	737	988	1111	2354	MINW 023 180 16
	21	21	397	951	1278	1438	3062	MINW 023 180 21
200	06	06	150	349	464	520	1078	MINW 023 200 06
	11	11	268	633	847	952	2004	MINW 023 200 11
	16	16	344	819	1098	1234	2616	MINW 023 200 16
	21	21	441	1057	1420	1597	3402	MINW 023 200 21
220	06	06	165	384	511	572	1186	MINW 023 220 06
	11	11	295	697	932	1047	2204	MINW 023 220 11
	16	16	378	901	1208	1358	2878	MINW 023 220 16
	21	21	485	1162	1562	1757	3742	MINW 023 220 21
240	06	06	180	419	557	624	1294	MINW 023 240 06
	11	11	321	760	1017	1142	2405	MINW 023 240 11
	16	16	413	983	1318	1481	3139	MINW 023 240 16
	21	21	529	1268	1704	1916	4082	MINW 023 240 21
260	06	06	195	454	603	676	1401	MINW 023 260 06
	11	11	348	823	1102	1237	2605	MINW 023 260 11
	16	16	447	1065	1428	1605	3401	MINW 023 260 16
	21	21	573	1374	1846	2076	4423	MINW 023 260 21
280	06	06	210	489	650	728	1509	MINW 023 280 06
	11	11	375	887	1187	1332	2806	MINW 023 280 11
	16	16	481	1146	1538	1728	3662	MINW 023 280 16
	21	21	617	1479	1988	2236	4763	MINW 023 280 21
300	06	06	225	523	696	780	1617	MINW 023 300 06
	11	11	402	950	1271	1427	3006	MINW 023 300 11
	16	16	516	1228	1648	1852	3924	MINW 023 300 16
	21	21	661	1585	2130	2396	5103	MINW 023 300 21

MINI WAND HEIGHT 028 (TWIN)

TECHNICAL TABLE

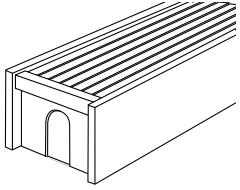


HEIGHT H cm	LENGTH L cm	TYPE T	HEATING Room temperature 20°C					ORDER CODE
			35/30 Watts	45/40 Watts	50/45 Watts	55/45 Watts	75/65 Watts	
MINW 028 060	06	06	48	111	148	166	342	MINW 028 060 06
	11	11	87	206	276	310	653	MINW 028 060 11
	16	16	113	269	361	405	860	MINW 028 060 16
	21	21	145	349	469	528	1127	MINW 028 060 21
070	06	06	56	130	173	193	399	MINW 028 070 06
	11	11	102	241	322	362	762	MINW 028 070 11
	16	16	131	313	421	473	1003	MINW 028 070 16
	21	21	170	407	548	616	1315	MINW 028 070 21
080	06	06	64	149	197	221	456	MINW 028 080 06
	11	11	116	275	368	414	871	MINW 028 080 11
	16	16	150	358	481	540	1146	MINW 028 080 16
	21	21	194	465	626	704	1503	MINW 028 080 21
090	06	06	72	167	222	248	513	MINW 028 090 06
	11	11	131	310	414	465	980	MINW 028 090 11
	16	16	169	403	541	608	1290	MINW 028 090 16
	21	21	218	523	704	792	1691	MINW 028 090 21
100	06	06	80	186	247	276	570	MINW 028 100 06
	11	11	146	344	461	517	1089	MINW 028 100 11
	16	16	188	448	601	676	1433	MINW 028 100 16
	21	21	242	582	782	880	1879	MINW 028 100 21
110	06	06	88	204	271	304	627	MINW 028 110 06
	11	11	160	379	507	569	1198	MINW 028 110 11
	16	16	207	493	661	743	1576	MINW 028 110 16
	21	21	266	640	861	968	2067	MINW 028 110 21
120	06	06	96	223	296	331	684	MINW 028 120 06
	11	11	175	413	553	621	1307	MINW 028 120 11
	16	16	225	538	721	811	1720	MINW 028 120 16
	21	21	291	698	939	1056	2255	MINW 028 120 21
140	06	06	112	260	345	386	798	MINW 028 140 06
	11	11	204	482	645	724	1525	MINW 028 140 11
	16	16	263	627	841	946	2006	MINW 028 140 16
	21	21	339	814	1095	1233	2631	MINW 028 140 21
160	06	06	129	297	395	442	912	MINW 028 160 06
	11	11	233	551	737	827	1742	MINW 028 160 11
	16	16	301	717	962	1081	2293	MINW 028 160 16
	21	21	387	931	1252	1408	3006	MINW 028 160 21
180	06	06	145	334	444	497	1026	MINW 028 180 06
	11	11	262	619	829	931	1960	MINW 028 180 11
	16	16	338	806	1082	1216	2579	MINW 028 180 16
	21	21	436	1047	1408	1584	3382	MINW 028 180 21
200	06	06	161	371	493	552	1140	MINW 028 200 06
	11	11	291	688	921	1034	2178	MINW 028 200 11
	16	16	376	896	1202	1351	2866	MINW 028 200 16
	21	21	484	1163	1565	1761	3758	MINW 028 200 21
220	06	06	177	409	542	607	1254	MINW 028 220 06
	11	11	320	757	1013	1138	2396	MINW 028 220 11
	16	16	413	985	1322	1486	3153	MINW 028 220 16
	21	21	533	1280	1721	1937	4134	MINW 028 220 21
240	06	06	193	446	592	662	1368	MINW 028 240 06
	11	11	349	826	1105	1241	2614	MINW 028 240 11
	16	16	451	1075	1442	1621	3439	MINW 028 240 16
	21	21	581	1396	1878	2113	4510	MINW 028 240 21
260	06	06	209	483	641	718	1482	MINW 028 260 06
	11	11	378	895	1197	1344	2831	MINW 028 260 11
	16	16	488	1165	1563	1756	3726	MINW 028 260 16
	21	21	630	1512	2034	2289	4885	MINW 028 260 21
280	06	06	225	520	690	773	1596	MINW 028 280 06
	11	11	408	964	1289	1448	3049	MINW 028 280 11
	16	16	526	1254	1683	1891	4012	MINW 028 280 16
	21	21	678	1629	2191	2465	5261	MINW 028 280 21
300	06	06	241	557	740	828	1710	MINW 028 300 06
	11	11	437	1033	1382	1551	3267	MINW 028 300 11
	16	16	564	1344	1803	2027	4299	MINW 028 300 16
	21	21	727	1745	2347	2641	5637	MINW 028 300 21

MINI

PARTS

CASING



STANDARD DELIVERY:

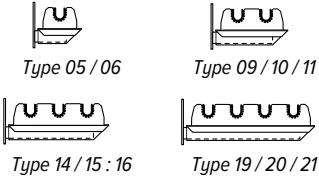
- pre-assembled casing
- colour 133, 001 or 145; extra cost different colour

ORDER CODE

CMIN 008 060 09 XXX

Colour
Type
Length
Height

WALL MOUNTED FIXING



number of fixings for casing

- from 060 to 160 cm: at least 2 units
- from 180 to 300 cm: at least 3 units

ORDER CODE

5205 000 000 06 XXX W

Colour
Type

HEAT EXCHANGER



STANDARD DELIVERY:

- heat exchanger including air vent and drain cock

ORDER CODE

5003 000 060 05 BS9

Type of heat exchanger
Length

Overview types of heat exchangers

	Mini Type 05	Mini Type 06	Mini Type 09	Mini Type 10	Mini Type 11	Mini Type 14	Mini Type 15	Mini Type 16	Mini Type 19	Mini Type 20	Mini Type 21
Height 008											
Height 013											
Height 023 Height 028											

The indicated outputs at ΔT 50 are exact values, measured in accordance with EN442. This table provides a calculated value using an average correction factor for all other ΔT outputs, valid for all dimensions.

Click www.jaga.com/selection-tools/ to download the calculation tools with the exact outputs. The online calculation tools are kept up to date with the most recent data. Minor output differences between printed tables and the different online calculation tools are therefore completely normal and within the margins of tolerance imposed by the standard.

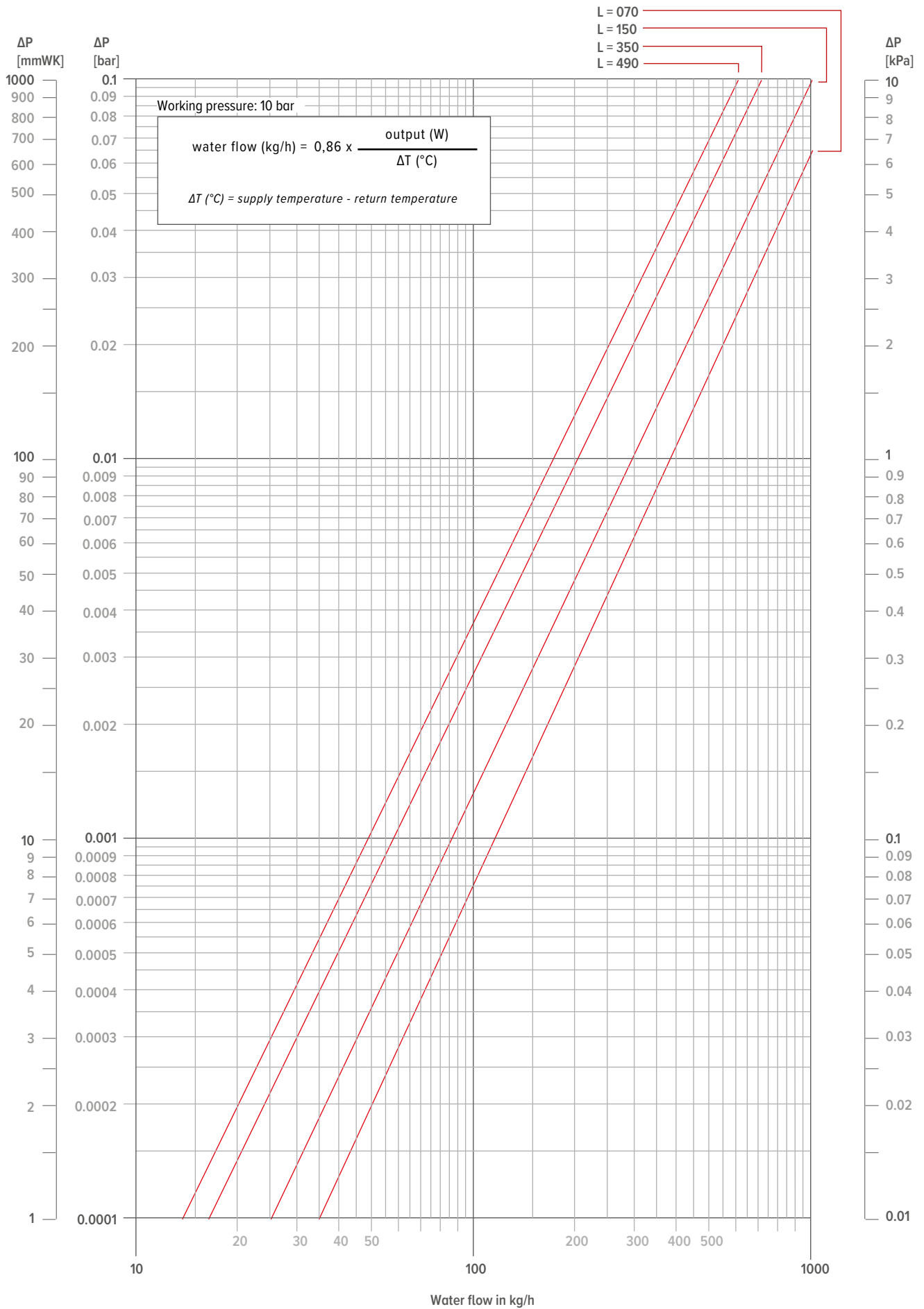
AVERAGE CORRECTION FACTORS FOR STATIC PRODUCTS ACCORDING TO EN442 - 75/65/20°C

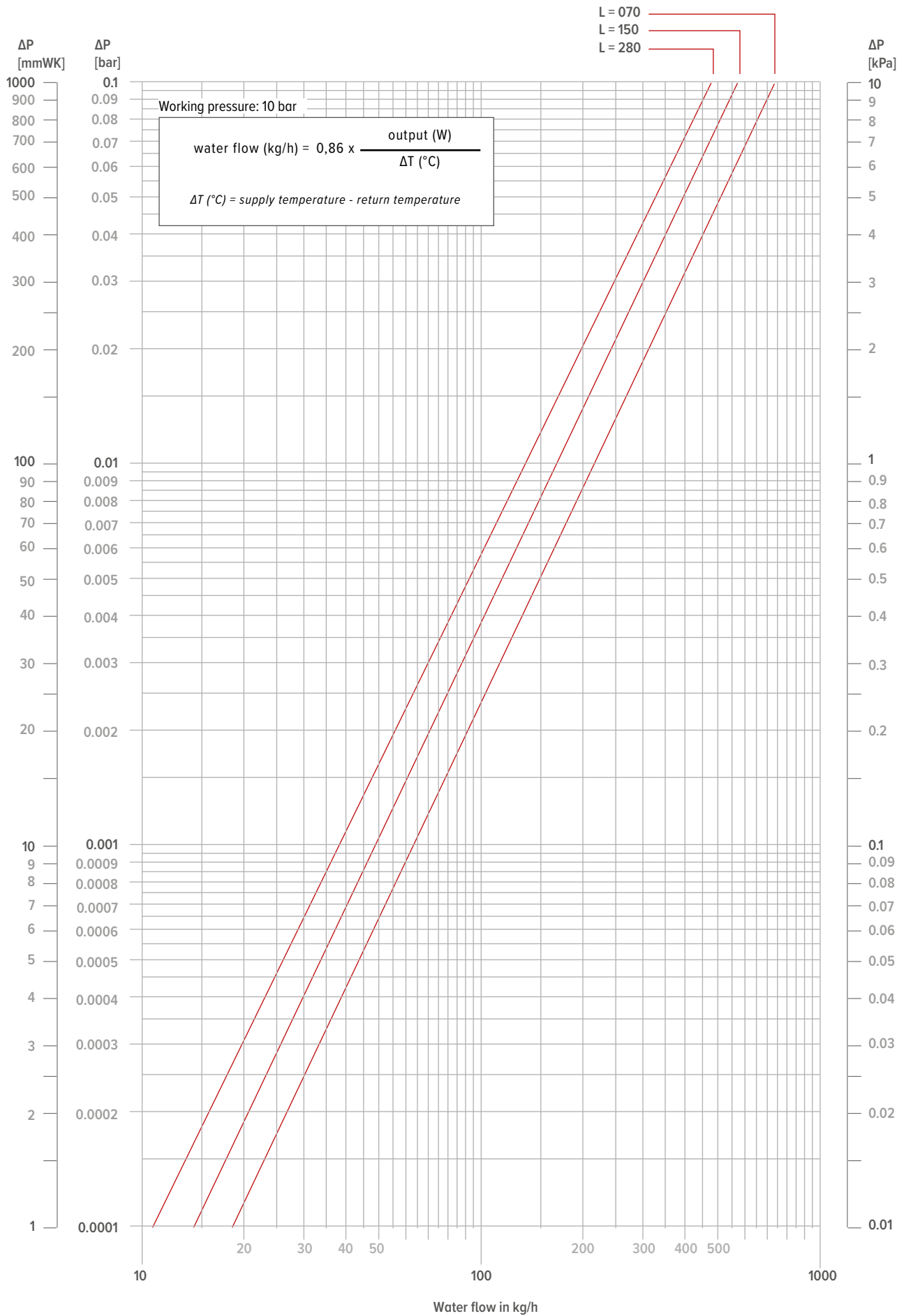
room temperature: 20°C Average N-value: 1.36

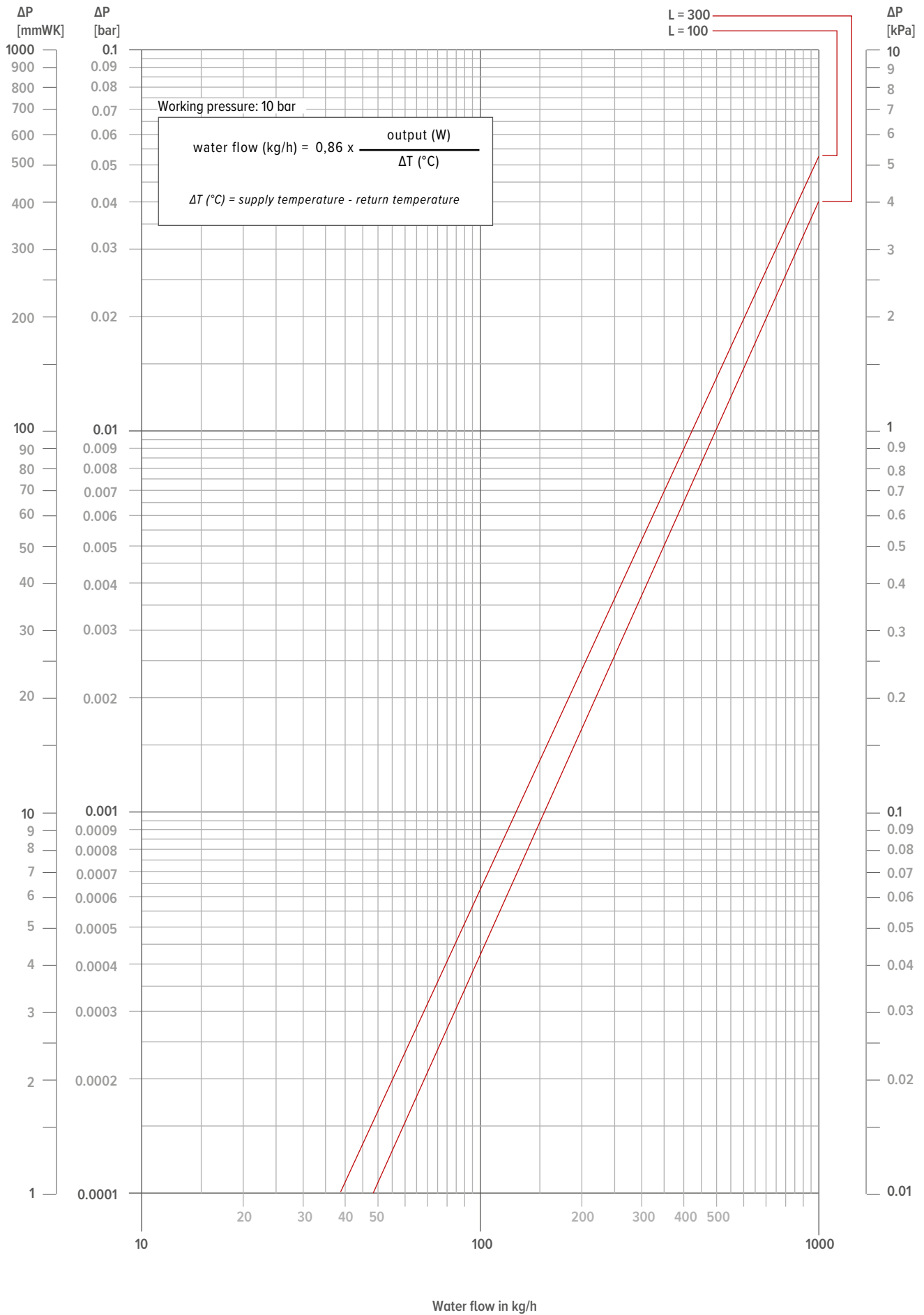
TA	TR	65	60	55	50	45	40	35	30	25
75		1.00	0.93	0.85	0.77	0.69	0.61	0.52	0.42	0.31
70		0.94	0.87	0.79	0.72	0.64	0.56	0.48	0.39	0.28
65			0.80	0.74	0.67	0.60	0.52	0.44	0.35	0.25
60				0.68	0.61	0.55	0.48	0.40	0.32	0.23
55					0.56	0.50	0.43	0.36	0.29	0.20
50						0.44	0.38	0.32	0.25	0.18
45							0.34	0.28	0.22	0.15
40								0.24	0.19	0.13
35									0.15	0.10
30										0.07

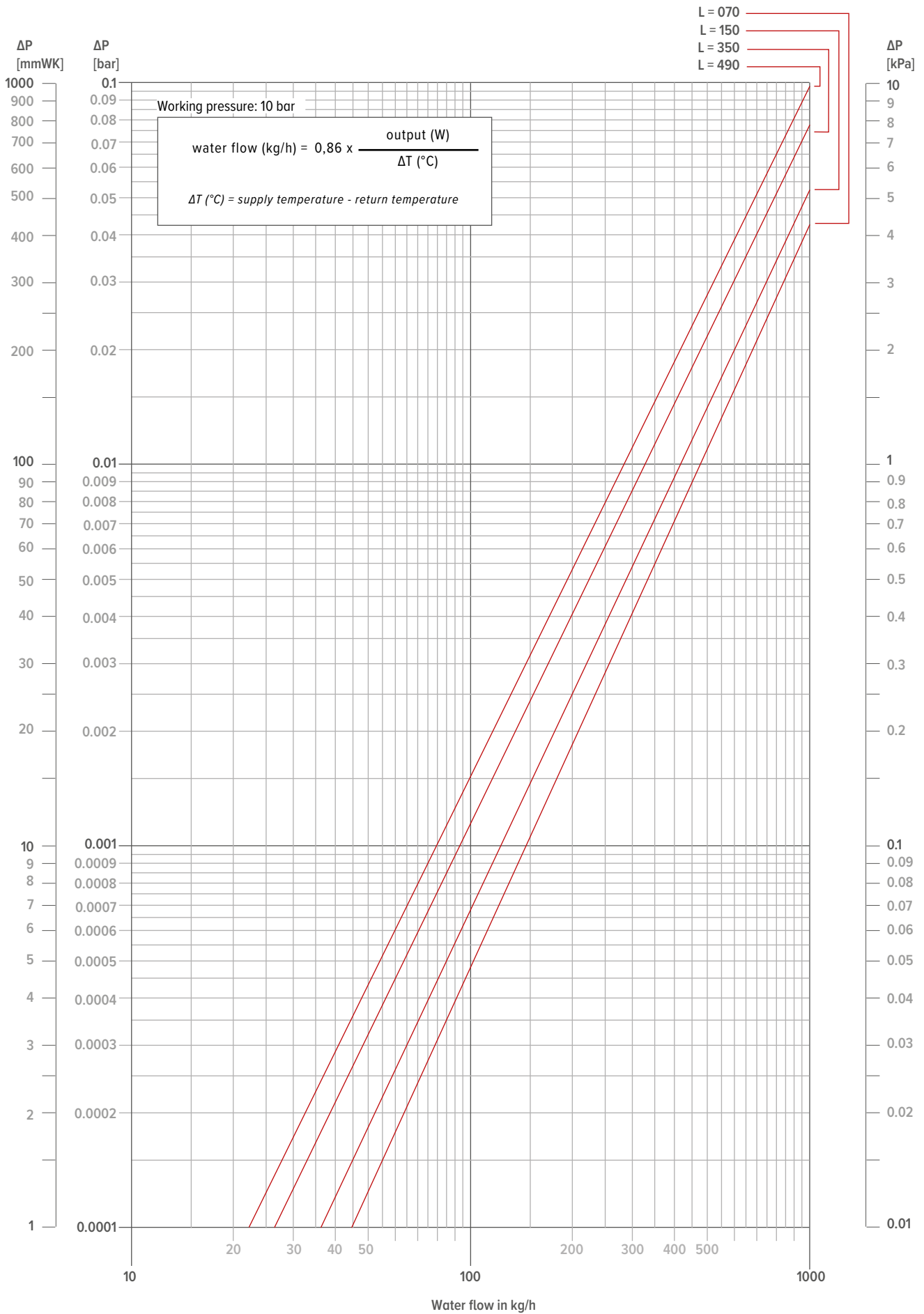
room temperature: 24°C Average N-value: 1.36

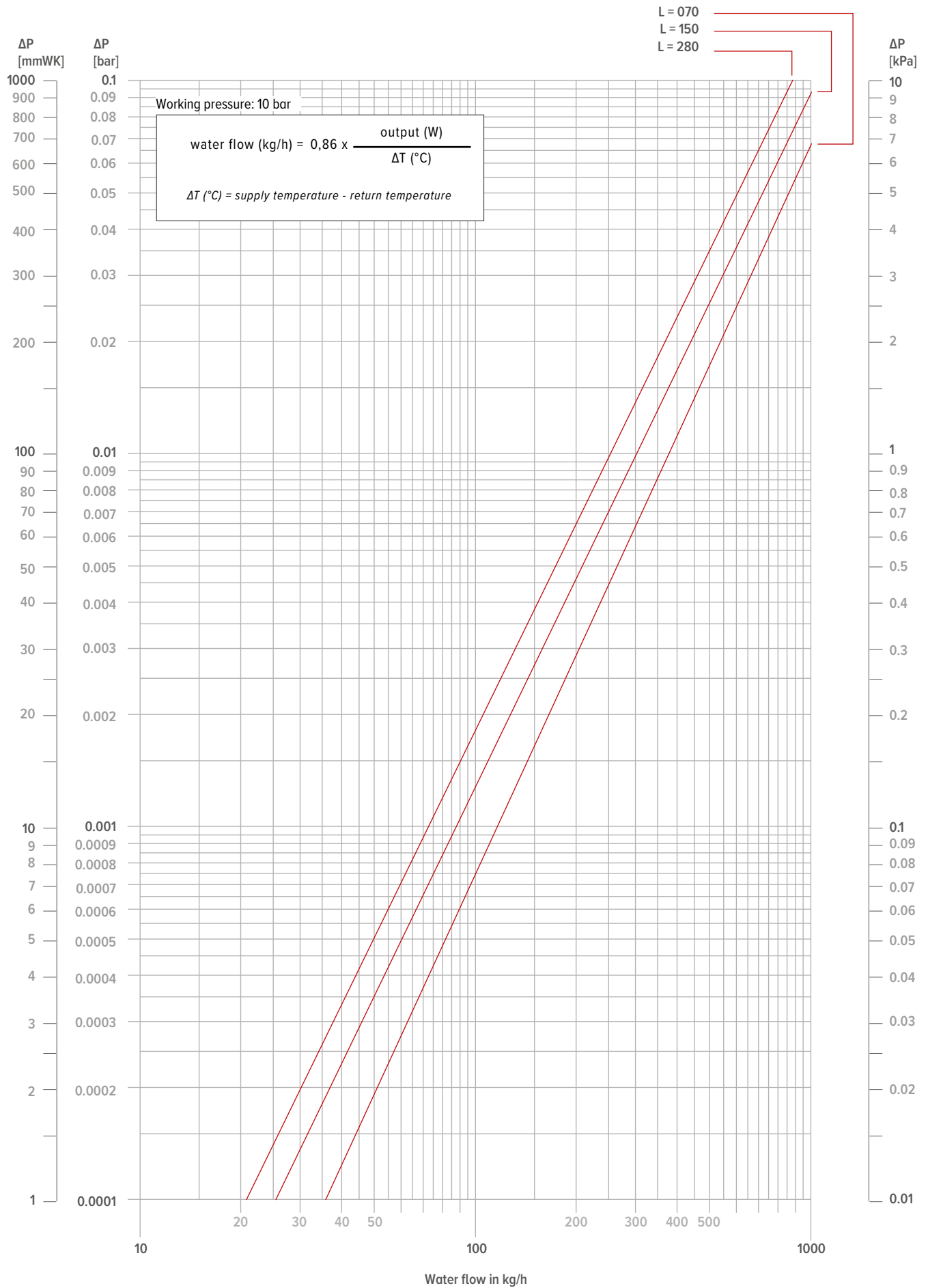
TA	TR	65	60	55	50	45	40	35	30	25
75		0.89	0.82	0.75	0.67	0.59	0.51	0.41	0.31	0.16
70		0.83	0.76	0.69	0.62	0.54	0.47	0.38	0.28	0.14
65			0.70	0.64	0.57	0.50	0.43	0.35	0.25	0.12
60				0.58	0.52	0.45	0.38	0.31	0.23	0.11
55					0.47	0.41	0.34	0.28	0.20	0.09
50						0.36	0.30	0.24	0.17	0.08
45							0.26	0.20	0.14	0.06
40								0.17	0.12	0.05
35									0.09	0.03
30										0.02

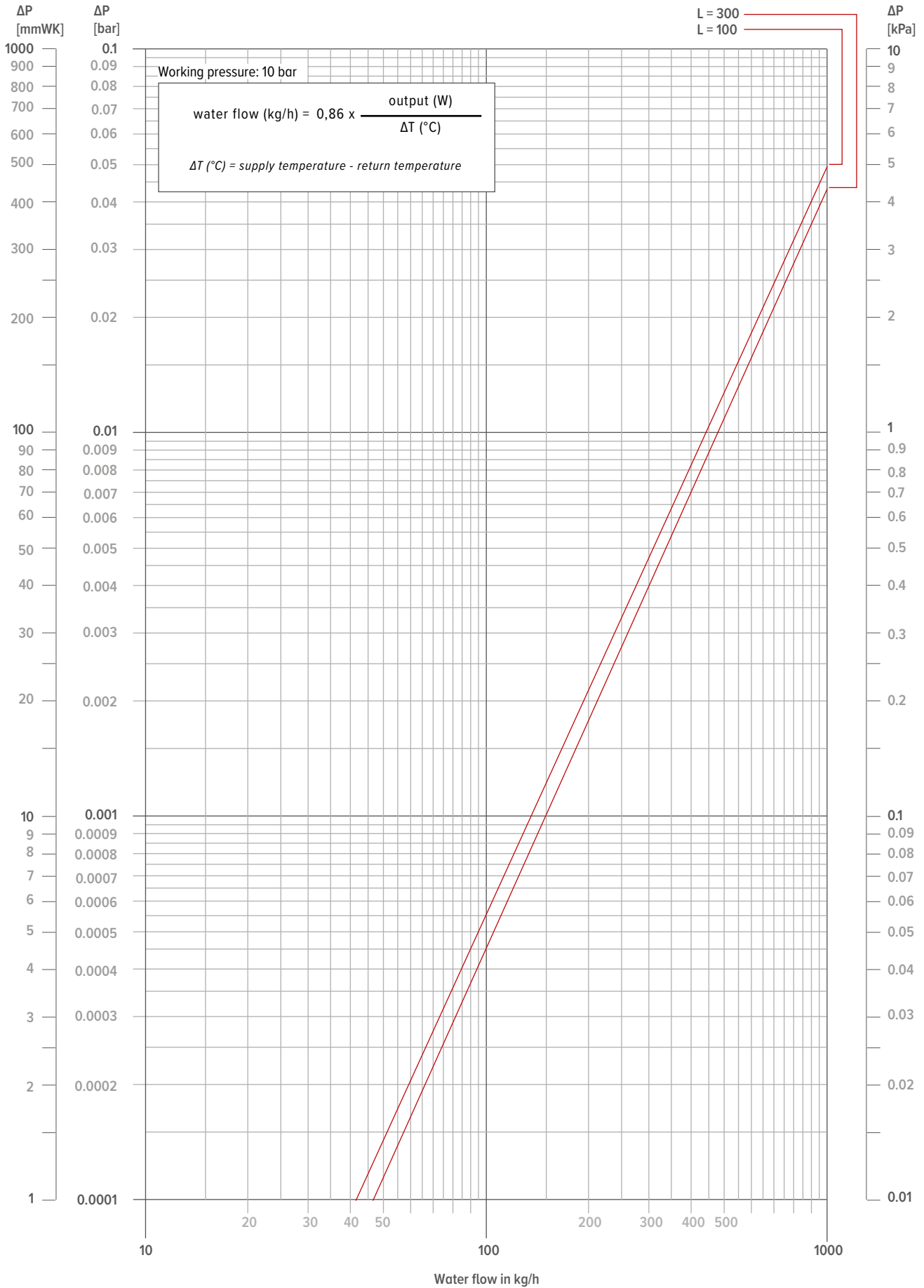


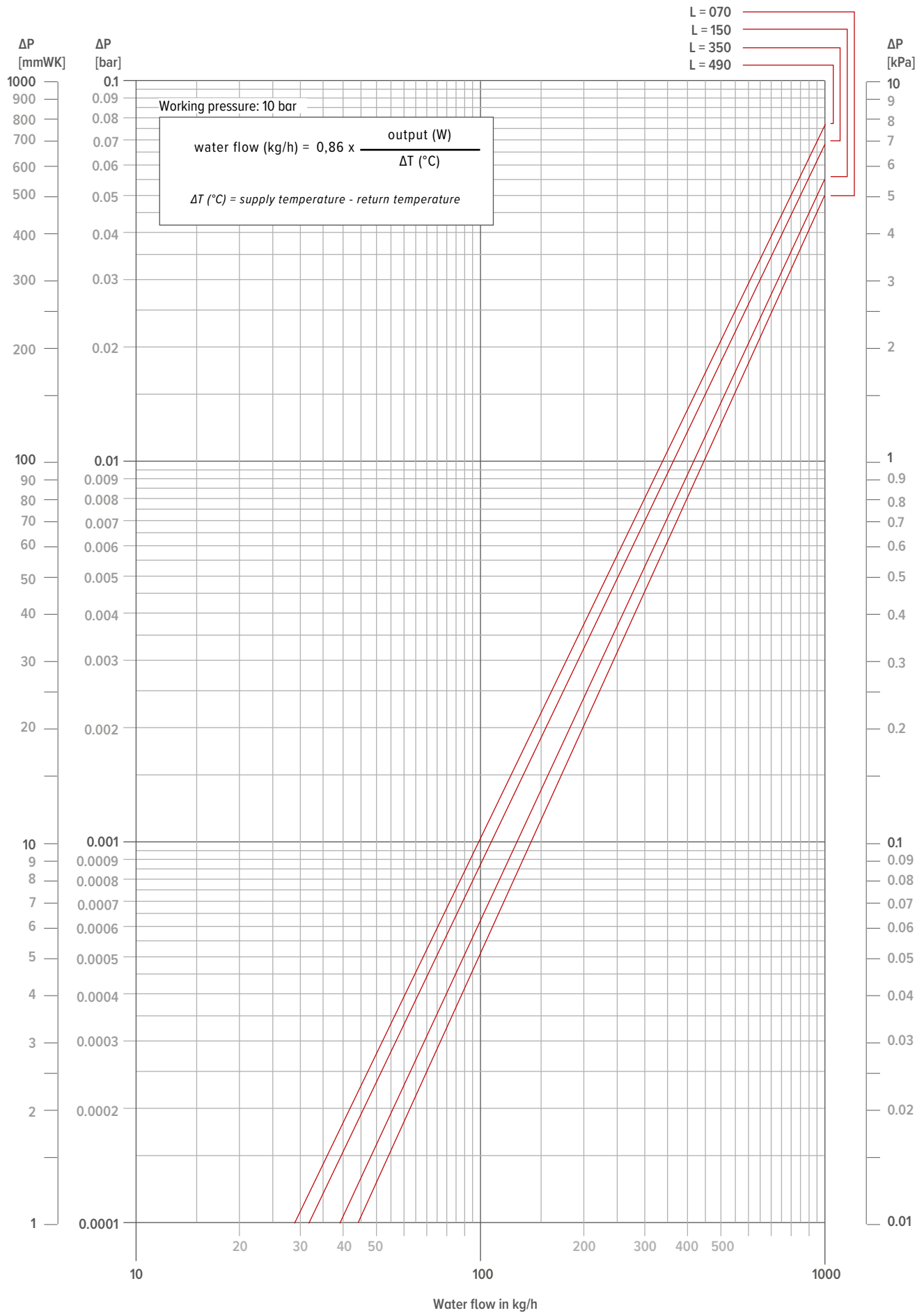


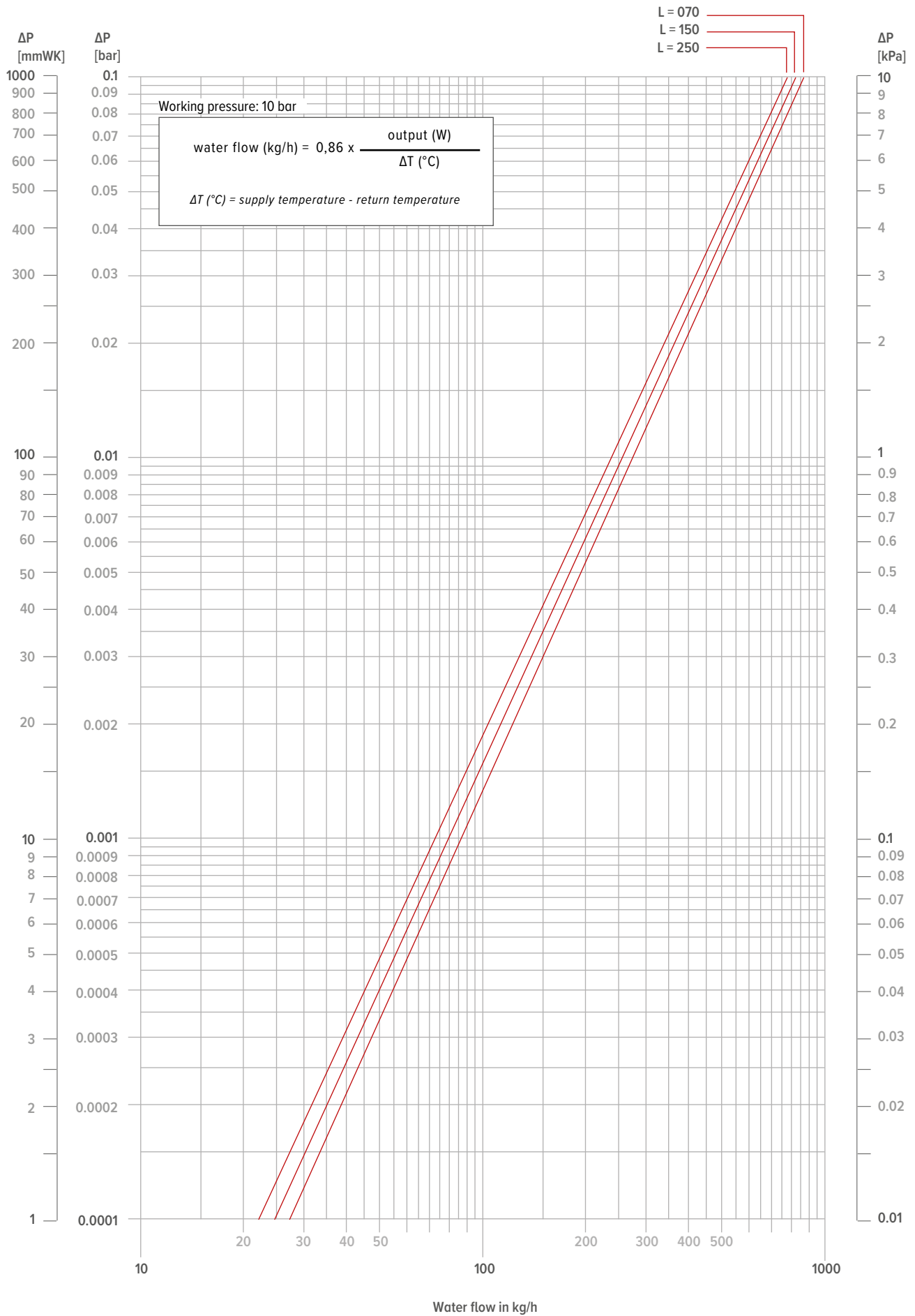


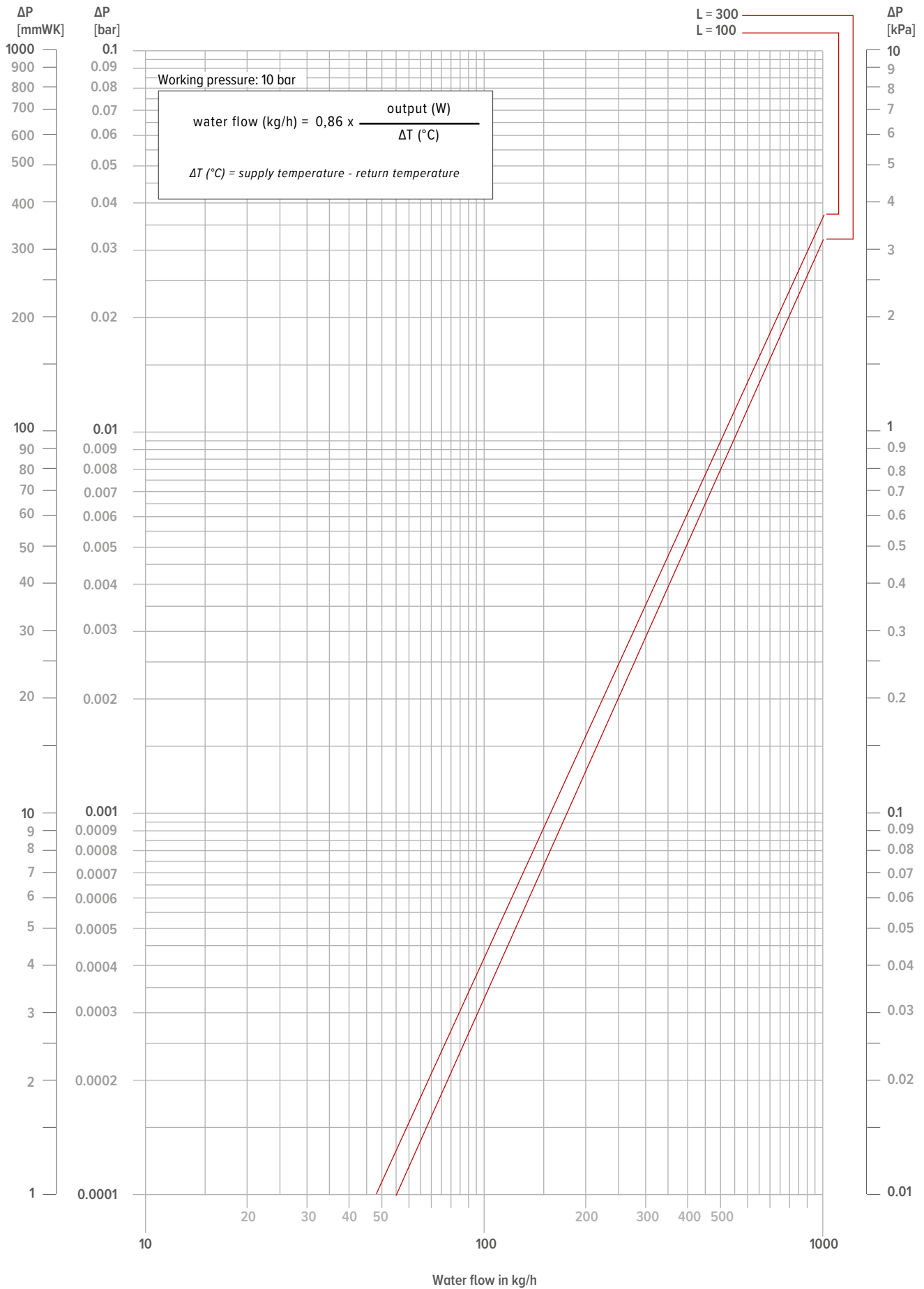


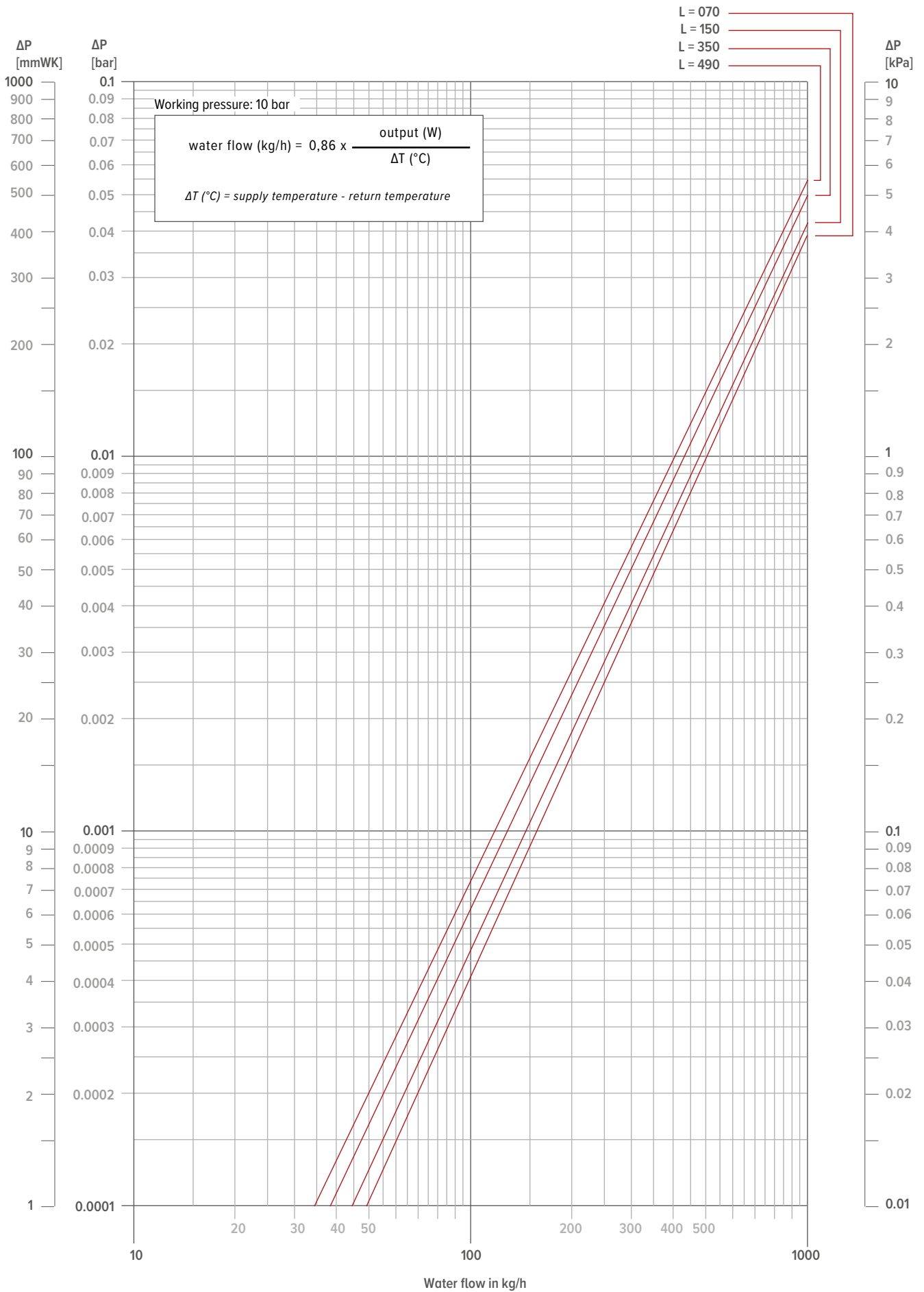


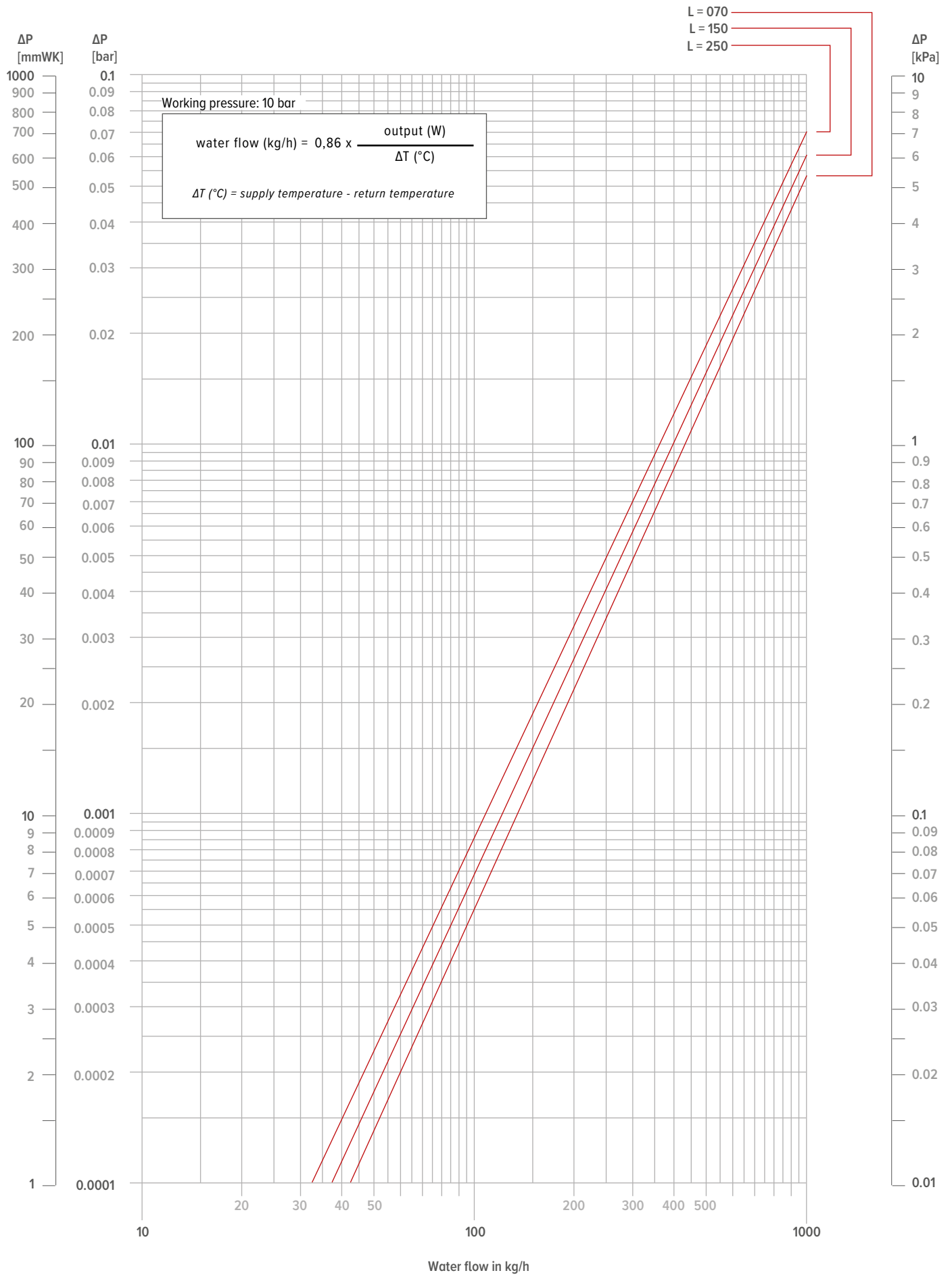














jaga CLIMATE
DESIGNERS

JAGA INTERNATIONAL JAGA NV

In need of some advice? Make an appointment at the Jaga Advice Centre.

Verbindingslaan 16
3590 Diepenbeek

+32 (0) 11 29 41 12

export@jaga.be
jaga.com