

jaga
CLIMATE DESIGNERS



LINEA PLUS



LINEA PLUS HYBRID

Would you like more low temperature output, and/or Light Cooling with a Linea Plus? Then go for the Linea Plus Hybrid.



DBH UPGRADE SET

Do you own a Linea Plus and would you like to upgrade it for an improved low temperature output, and/or do you want Light Cooling? Then take a look in our brochure at the DBH Upgrade Set.

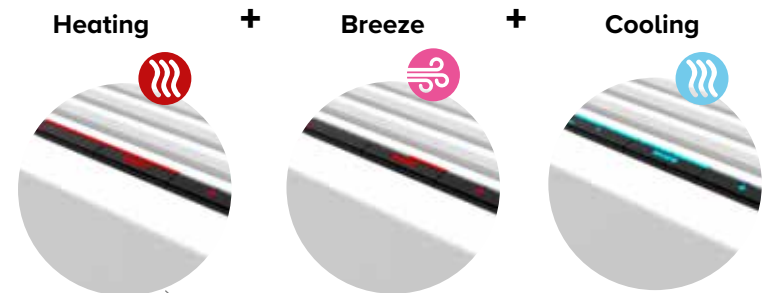
BEFORE

Heating only 

Linea Plus H50 L100 Type 11

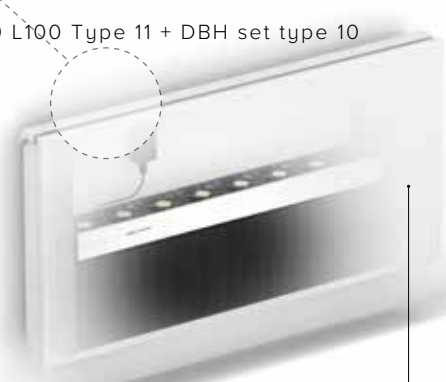
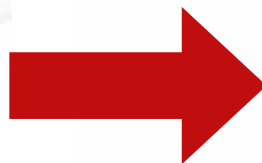


AFTER



Light cooling for all heat pumps with cooling function

Linea Plus H50 L100 Type 11 + DBH set type 10



Click-on fan units

LINEA PLUS

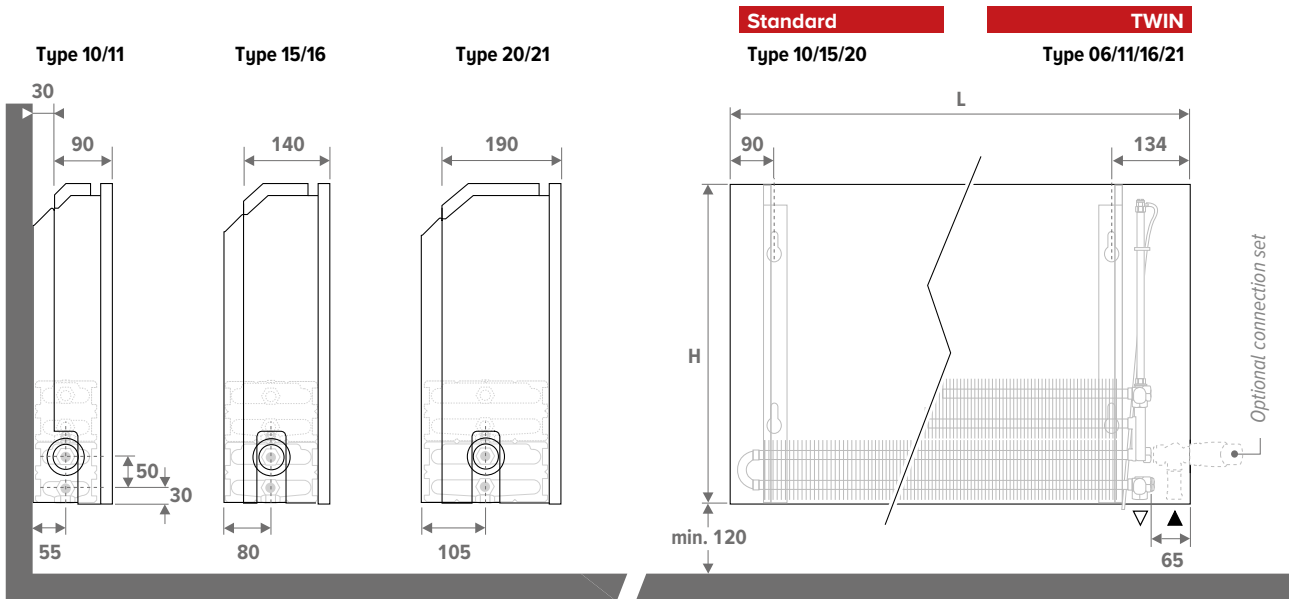
CONTENT	3
TECHNICAL INFORMATION	5
Dimensions	5
Optional towel rail	5
Hydronic connection	6
Connection left or right with controls below (Standard)	6
Connection left or right with controls above	6
Connection left or right with remote control	6
Most used connection sets	7
Technical table	9
Height 020	9
Height 035	10
Height 050	12
Height 065	14
Height 095	16
Correction factors	20
Pressure drop	21
Type 10	21
Type 11	22
Type 15	23
Type 16	24
Type 20	25
Type 21	26



LINEA PLUS



DIMENSIONS (in mm)



STANDARD DELIVERY

- Low-H₂O heat exchanger, with dirt and dust repellent coating in graphite grey (RAL 7024)
- wall brackets and mounting set
- angled air vent (standard and Height 020) or extended 1/8" air vent (twin) and 1/2" drain cock
- Partially assembled casing for a connection on the bottom left or bottom right

COLOURS

Eco-friendly, scratch-resistant powder coating with high UV-resistance

Standard colours

- traffic white RAL 9016 (133), soft touch lightly structured satin lacquer
- sandblast grey (001), fine texture metallic lak
- off-black (145), soft touch lightly-textured satin lacquer

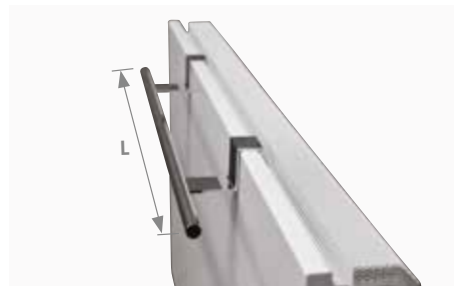
Other colours

see Jaga colour chart.

Surcharge depends on the length of the unit:

- Length < 100 cm
- Length of 100 cm to 200 cm
- Length > 200 cm

TOWEL RAIL



CODE	L	
5501 001	560	in chrome-plated aluminium
5501 002	660	in chrome-plated aluminium

ORDER CODE

LINW 020 050 10 XXX

- Colour
- Type
- Length
- Height

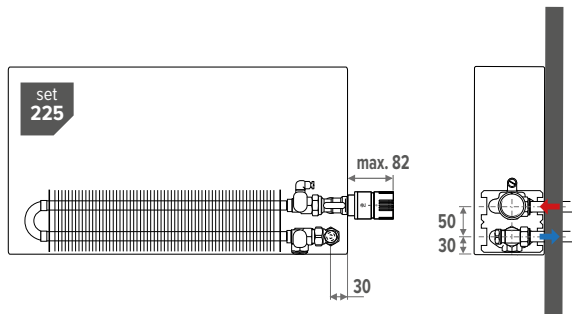
STANDARD: CONNECTION LEFT OR RIGHT WITH CONTROLS BELOW

Left or right downwards, to the wall or to the floor. Wall connection from the underside of the panelling or completely concealed within the panelling. The installer can rotate the heat exchanger to accommodate a left or right-side connection.

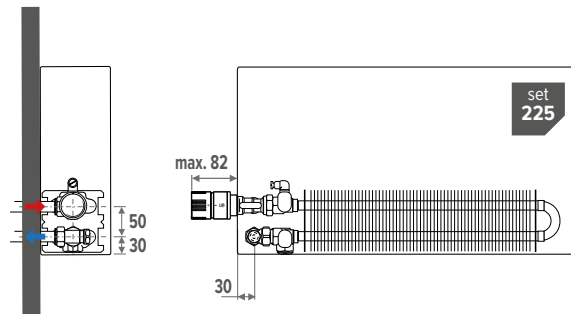
Compatible Eurocone connection sets: 101, 102, 103, 104, 181, 182, 183, 184, 222, 225, 226, 282, 285

Compatible M24 connection sets: 11, 12, 13, 14, 25

Example of connection to the right (standard)



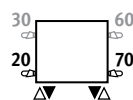
Example of connection to the left



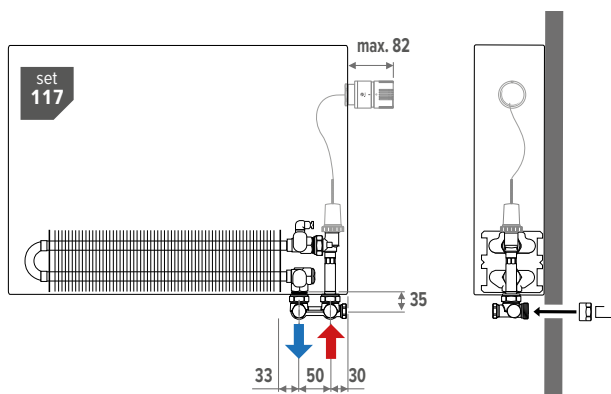
CONNECTION LEFT OR RIGHT WITH CONTROLS ABOVE

Complete the radiator code with 30 (left) or 60 (right). EX. LINW.035 050 10 xxx 60

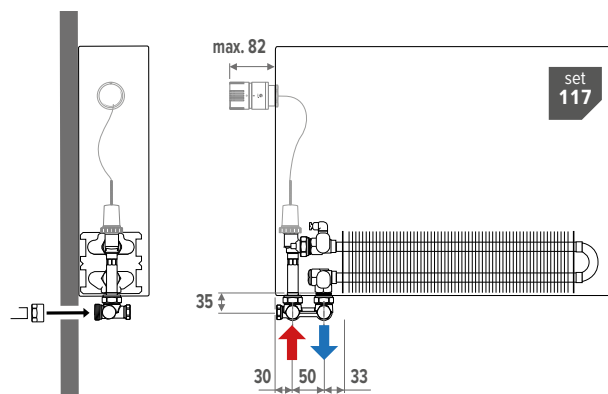
Compatible Eurocone connection sets: 115, 116, 117, 118



Example of connection to the right (standard)



Example of connection to the left



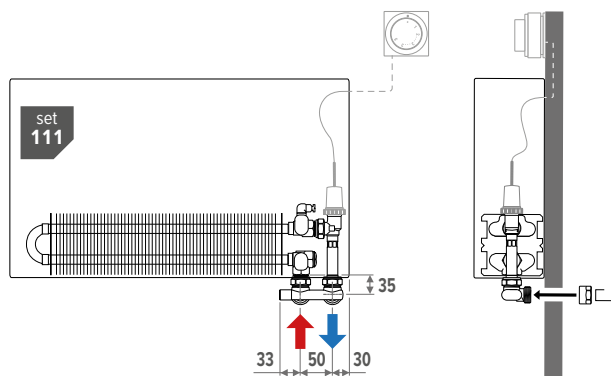
CONNECTION LEFT OR RIGHT WITH REMOTE CONTROL

Complete the radiator code with 00 (closed sides). EX. LINW.035 050 10 xxx 00

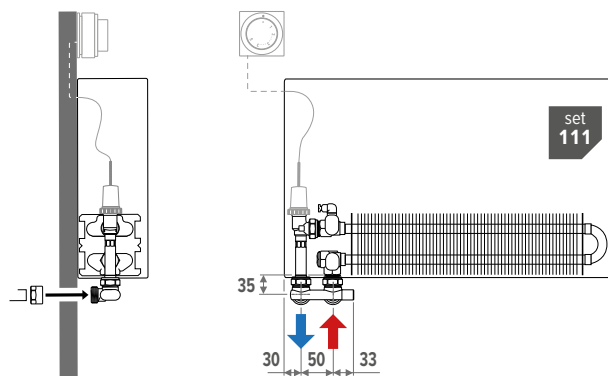
Compatible Eurocone connection sets: 111, 112, 113, 114

Compatible M24 connection sets: 28, 29

Example of connection to the right (standard)



Example of connection to the left

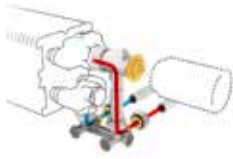


LINEA PLUS

For extensive information on valves, see the brochure "Connection sets & Valves"

MOST USED CONNECTION SETS

To the wall - FLOW ON THE OUTSIDE
With Jaga H-valve



set 103	KVS: 0.8	TWO PIPE / ONE PIPE	
COLO HBSW AC 4...	AC		
COLO HBSW AW 4...	AW		
COLO HBSW AS 4...	AS		
COLO HBSW AB 4...	AB		
COLO HBSW JH 4...	JH		

fill in sleeve coupling code

With Gampper Vario DP Dynamic valve



set 183	automatic flow limiter (20 - 340 l/h)	TWO PIPE	
COLO GASW AC 4...	AC		
COLO GASW AW 4...	AW		
COLO GASW AS 4...	AS		
COLO GASW AB 4...	AB		
COLO GASW JH 4...	JH		

fill in sleeve coupling code

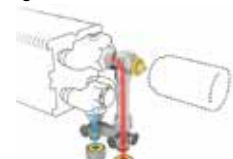
To the floor - FLOW ON THE OUTSIDE
With Jaga H-valve



set 104	KVS: 0.8	TWO PIPE / ONE PIPE	
COLO HBSF AC 4...	AC		
COLO HBSF AW 4...	AW		
COLO HBSF AS 4...	AS		
COLO HBSF AB 4...	AB		
COLO HBSF JH 4...	JH		

fill in sleeve coupling code

With Gampper Vario DP Dynamic valve



set 184	automatic flow limiter (20 - 340 l/h)	TWO PIPE	
COLO GASF AC 4...	AC		
COLO GASF AW 4...	AW		
COLO GASF AS 4...	AS		
COLO GASF AB 4...	AB		
COLO GASF JH 4...	JH		

fill in sleeve coupling code

To the wall - FLOW ON THE INSIDE
With Jaga Crossflow valve



set 101	KVS: 0.8	TWO PIPE	
COLO HBCW AC 4...	AC		
COLO HBCW AW 4...	AW		
COLO HBCW AS 4...	AS		
COLO HBCW AB 4...	AB		
COLO HBCW JH 4...	JH		

fill in sleeve coupling code

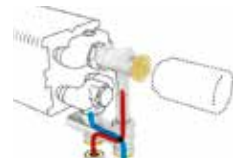
With Gampper Vario DP Dynamic valve



set 181	automatic flow limiter (20 - 340 l/h)	TWO PIPE	
COLO GACW AC 4...	AC		
COLO GACW AW 4...	AW		
COLO GACW AS 4...	AS		
COLO GACW AB 4...	AB		
COLO GACW JH 4...	JH		

fill in sleeve coupling code

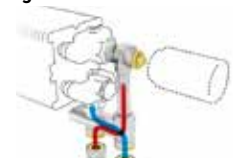
To the floor - FLOW ON THE INSIDE
With Jaga Crossflow valve



set 102	KVS: 0.8	TWO PIPE	
COLO HBCF AC 4...	AC		
COLO HBCF AW 4...	AW		
COLO HBCF AS 4...	AS		
COLO HBCF AB 4...	AB		
COLO HBCF JH 4...	JH		

fill in sleeve coupling code

With Gampper Vario DP Dynamic valve



set 182	automatic flow limiter (20 - 340 l/h)	TWO PIPE	
COLO GACF AC 4...	AC		
COLO GACF AW 4...	AW		
COLO GACF AS 4...	AS		
COLO GACF AB 4...	AB		
COLO GACF JH 4...	JH		

fill in sleeve coupling code

To the wall - WITHIN THE CASING
With Jaga valve



set 225	KVS: 0.8	TWO PIPE	
COLO SW2 AC 4...	AC		
COLO SW2 AW 4...	AW		
COLO SW2 AS 4...	AS		
COLO SW2 AB 4...	AB		
COLO SW2 JH 4...	JH		

fill in sleeve coupling code

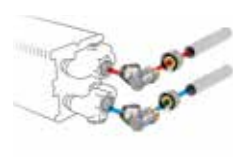
With Gampper Vario DP Dynamic valve



set 285	automatic flow limiter (20 - 340 l/h)	TWO PIPE	
COLO GW2 AC 4...	AC		
COLO GW2 AW 4...	AW		
COLO GW2 AS 4...	AS		
COLO GW2 AB 4...	AB		
COLO GW2 JH 4...	JH		

fill in sleeve coupling code

With 2 lockshields



set 226	TWO PIPE	
COLO LOA 00 4...		
fill in sleeve coupling code		



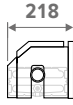
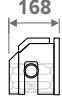
LINEA PLUS HEIGHT 020 (STANDARD)

TECHNICAL TABLE

Type 10

Type 15

Type 20



LINW	HEIGHT H cm	LENGTH L cm	TYPE T	HEATING Room temperature 20°C				WEIGHT kg	WATER CONTENT L	ORDER CODE
				45/40	50/45	55/45	75/65			
				Watts	Watts	Watts	Watts			
	020	050	10	90	120	135	284	3	0.3	LINW 020 050 10 XXX
			15	166	222	249	519	4	0.5	LINW 020 050 15 XXX
			20	223	298	334	697	5	0.7	LINW 020 050 20 XXX
	060	10	10	108	145	162	341	4	0.4	LINW 020 060 10 XXX
			15	200	266	298	623	5	0.6	LINW 020 060 15 XXX
			20	268	357	400	836	6	0.8	LINW 020 060 20 XXX
	070	10	10	126	169	189	398	4	0.5	LINW 020 070 10 XXX
			15	233	311	348	727	5	0.7	LINW 020 070 15 XXX
			20	312	417	467	976	6	0.9	LINW 020 070 20 XXX
	080	10	10	144	193	216	454	5	0.5	LINW 020 080 10 XXX
			15	266	355	398	830	6	0.8	LINW 020 080 15 XXX
			20	357	476	534	1115	7	1.1	LINW 020 080 20 XXX
	090	10	10	162	217	243	511	5	0.6	LINW 020 090 10 XXX
			15	299	399	447	934	7	0.9	LINW 020 090 15 XXX
			20	402	536	601	1255	8	1.2	LINW 020 090 20 XXX
	100	10	10	180	241	270	568	6	0.7	LINW 020 100 10 XXX
			15	333	443	497	1038	7	1.0	LINW 020 100 15 XXX
			20	446	595	667	1394	9	1.3	LINW 020 100 20 XXX
	110	10	10	198	265	298	625	6	0.7	LINW 020 110 10 XXX
			15	366	488	547	1142	8	1.1	LINW 020 110 15 XXX
			20	491	655	734	1533	9	1.5	LINW 020 110 20 XXX
	120	10	10	216	289	325	682	7	0.8	LINW 020 120 10 XXX
			15	399	532	597	1246	9	1.2	LINW 020 120 15 XXX
			20	536	714	801	1673	10	1.6	LINW 020 120 20 XXX
	140	10	10	252	337	378	795	8	0.9	LINW 020 140 10 XXX
			15	466	621	696	1453	10	1.4	LINW 020 140 15 XXX
			20	625	833	935	1952	12	1.8	LINW 020 140 20 XXX
	160	10	10	288	386	433	909	9	1.0	LINW 020 160 10 XXX
			15	532	710	796	1661	11	1.6	LINW 020 160 15 XXX
			20	714	952	1068	2230	13	2.1	LINW 020 160 20 XXX
	180	10	10	324	433	487	1022	10	1.2	LINW 020 180 10 XXX
			15	598	798	895	1868	12	1.8	LINW 020 180 15 XXX
			20	803	1071	1201	2509	14	2.4	LINW 020 180 20 XXX
	200	10	10	360	482	541	1136	11	1.3	LINW 020 200 10 XXX
			15	665	887	994	2076	13	2.0	LINW 020 200 15 XXX
			20	893	1190	1335	2788	16	2.6	LINW 020 200 20 XXX
	220	10	10	397	530	595	1250	12	1.4	LINW 020 220 10 XXX
			15	732	976	1094	2284	14	2.2	LINW 020 220 15 XXX
			20	982	1309	1468	3067	17	2.9	LINW 020 220 20 XXX
	240	10	10	433	578	649	1363	13	1.6	LINW 020 240 10 XXX
			15	798	1064	1193	2491	16	2.4	LINW 020 240 15 XXX
			20	1071	1429	1602	3346	19	3.2	LINW 020 240 20 XXX
	260	10	10	469	626	703	1477	14	1.7	LINW 020 260 10 XXX
			15	865	1153	1293	2699	17	2.5	LINW 020 260 15 XXX
			20	1160	1547	1735	3624	20	3.4	LINW 020 260 20 XXX
	280	10	10	505	674	757	1590	15	1.8	LINW 020 280 10 XXX
			15	931	1241	1392	2906	18	2.7	LINW 020 280 15 XXX
			20	1250	1666	1869	3903	22	3.7	LINW 020 280 20 XXX

EN442 output at 20°C

enter colour code

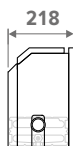
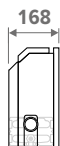
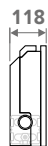
LINEA PLUS HEIGHT 035 (STANDARD)

TECHNICAL TABLE

Type 10

Type 15

Type 20



LINW	035	HEIGHT H cm	LENGTH L cm	TYPE T	HEATING Room temperature 20°C				WEIGHT kg	WATER CONTENT L	ORDER CODE
					45/40 Watts	50/45 Watts	55/45 Watts	75/65 Watts			
		050		10	126	168	189	393	5	0.3	LINW 035 050 10 XXX
				15	216	286	320	659	6	0.5	LINW 035 050 15 XXX
				20	295	391	437	901	7	0.7	LINW 035 050 20 XXX
		060		10	152	202	226	471	5	0.4	LINW 035 060 10 XXX
				15	258	343	384	790	7	0.6	LINW 035 060 15 XXX
				20	353	469	525	1081	8	0.8	LINW 035 060 20 XXX
		070		10	177	236	264	550	6	0.5	LINW 035 070 10 XXX
				15	302	400	448	922	7	0.7	LINW 035 070 15 XXX
				20	412	547	612	1261	9	0.9	LINW 035 070 20 XXX
		080		10	202	269	302	628	7	0.5	LINW 035 080 10 XXX
				15	345	457	512	1054	8	0.8	LINW 035 080 15 XXX
				20	471	625	699	1441	10	1.1	LINW 035 080 20 XXX
		090		10	227	303	340	707	7	0.6	LINW 035 090 10 XXX
				15	388	514	575	1185	9	0.9	LINW 035 090 15 XXX
				20	530	703	787	1621	11	1.2	LINW 035 090 20 XXX
		100		10	253	336	377	785	8	0.7	LINW 035 100 10 XXX
				15	431	571	639	1317	10	1.0	LINW 035 100 15 XXX
				20	589	781	874	1801	11	1.3	LINW 035 100 20 XXX
		110		10	278	370	415	864	9	0.7	LINW 035 110 10 XXX
				15	474	629	704	1449	10	1.1	LINW 035 110 15 XXX
				20	648	859	961	1981	12	1.5	LINW 035 110 20 XXX
		120		10	303	404	452	942	10	0.8	LINW 035 120 10 XXX
				15	517	686	767	1580	12	1.2	LINW 035 120 15 XXX
				20	706	937	1049	2161	14	1.6	LINW 035 120 20 XXX
		140		10	354	471	528	1099	11	0.9	LINW 035 140 10 XXX
				15	603	800	895	1844	13	1.4	LINW 035 140 15 XXX
				20	824	1093	1223	2521	15	1.8	LINW 035 140 20 XXX
		160		10	404	538	603	1256	12	1.0	LINW 035 160 10 XXX
				15	689	914	1023	2107	15	1.6	LINW 035 160 15 XXX
				20	942	1250	1399	2882	17	2.1	LINW 035 160 20 XXX
		180		10	455	605	679	1413	13	1.2	LINW 035 180 10 XXX
				15	776	1029	1151	2371	16	1.8	LINW 035 180 15 XXX
				20	1060	1406	1573	3242	19	2.4	LINW 035 180 20 XXX
		200		10	505	673	754	1570	15	1.3	LINW 035 200 10 XXX
				15	862	1143	1279	2634	18	2.0	LINW 035 200 15 XXX
				20	1177	1562	1748	3602	21	2.6	LINW 035 200 20 XXX
		220		10	556	740	829	1727	16	1.4	LINW 035 220 10 XXX
				15	948	1257	1407	2897	19	2.2	LINW 035 220 15 XXX
				20	1295	1718	1923	3962	22	2.9	LINW 035 220 20 XXX
		240		10	606	807	905	1884	18	1.6	LINW 035 240 10 XXX
				15	1034	1372	1535	3161	21	2.4	LINW 035 240 15 XXX
				20	1413	1874	2097	4322	25	3.2	LINW 035 240 20 XXX
		260		10	657	875	980	2041	19	1.7	LINW 035 260 10 XXX
				15	1120	1486	1662	3424	23	2.5	LINW 035 260 15 XXX
				20	1531	2031	2272	4683	26	3.4	LINW 035 260 20 XXX
		280		10	707	942	1056	2198	20	1.8	LINW 035 280 10 XXX
				15	1206	1600	1791	3688	24	2.7	LINW 035 280 15 XXX
				20	1648	2187	2447	5043	28	3.7	LINW 035 280 20 XXX

EN442 output at 20°C

enter colour code

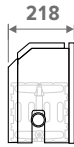
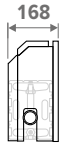
LINEA PLUS HEIGHT 035 (TWIN)

TECHNICAL TABLE

Type 11

Type 16

Type 21



HEIGHT H cm	LENGTH L cm	TYPE T	HEATING Room temperature 20°C				WEIGHT kg	WATER CONTENT L	ORDER CODE
			45/40 Watts	50/45 Watts	55/45 Watts	75/65 Watts			
LINW 035	050	11	171	230	258	549	5	0.7	LINW 035 050 11 XXX
		16	252	339	381	813	7	1.0	LINW 035 050 16 XXX
		21	318	429	483	1039	8	1.3	LINW 035 050 21 XXX
060	11	11	205	276	310	659	6	0.8	LINW 035 060 11 XXX
		16	302	406	457	975	8	1.2	LINW 035 060 16 XXX
		21	382	515	580	1247	9	1.6	LINW 035 060 21 XXX
070	11	11	239	322	362	769	7	0.9	LINW 035 070 11 XXX
		16	353	474	534	1138	9	1.4	LINW 035 070 16 XXX
		21	445	601	677	1455	11	1.9	LINW 035 070 21 XXX
080	11	11	273	367	413	878	8	1.1	LINW 035 080 11 XXX
		16	403	542	610	1300	10	1.6	LINW 035 080 16 XXX
		21	509	686	773	1662	12	2.1	LINW 035 080 21 XXX
090	11	11	308	413	465	988	9	1.2	LINW 035 090 11 XXX
		16	454	610	686	1463	11	1.8	LINW 035 090 16 XXX
		21	572	772	870	1870	13	2.4	LINW 035 090 21 XXX
100	11	11	342	459	516	1098	9	1.3	LINW 035 100 11 XXX
		16	504	677	762	1625	12	2.0	LINW 035 100 16 XXX
		21	636	858	967	2078	14	2.7	LINW 035 100 21 XXX
110	11	11	376	505	568	1208	10	1.5	LINW 035 110 11 XXX
		16	554	745	839	1788	13	2.2	LINW 035 110 16 XXX
		21	700	944	1063	2286	15	2.9	LINW 035 110 21 XXX
120	11	11	410	551	620	1318	11	1.6	LINW 035 120 11 XXX
		16	605	813	915	1950	14	2.4	LINW 035 120 16 XXX
		21	763	1030	1160	2494	17	3.2	LINW 035 120 21 XXX
140	11	11	478	643	723	1537	13	1.9	LINW 035 140 11 XXX
		16	705	948	1067	2275	17	2.8	LINW 035 140 16 XXX
		21	891	1201	1353	2909	20	3.7	LINW 035 140 21 XXX
160	11	11	547	735	826	1757	15	2.1	LINW 035 160 11 XXX
		16	806	1084	1219	2600	18	3.2	LINW 035 160 16 XXX
		21	1018	1373	1547	3325	21	4.3	LINW 035 160 21 XXX
180	11	11	615	826	929	1976	16	2.4	LINW 035 180 11 XXX
		16	907	1219	1372	2925	20	3.6	LINW 035 180 16 XXX
		21	1145	1544	1740	3740	24	4.8	LINW 035 180 21 XXX
200	11	11	684	918	1033	2196	18	2.7	LINW 035 200 11 XXX
		16	1008	1355	1524	3250	21	4.0	LINW 035 200 16 XXX
		21	1272	1716	1933	4156	26	5.3	LINW 035 200 21 XXX
220	11	11	752	1010	1136	2416	19	2.9	LINW 035 220 11 XXX
		16	1108	1490	1677	3575	23	4.4	LINW 035 220 16 XXX
		21	1400	1888	2127	4572	28	5.9	LINW 035 220 21 XXX
240	11	11	820	1102	1239	2635	21	3.2	LINW 035 240 11 XXX
		16	1209	1626	1829	3900	25	4.8	LINW 035 240 16 XXX
		21	1527	2059	2320	4987	31	6.4	LINW 035 240 21 XXX
260	11	11	889	1194	1342	2855	23	3.5	LINW 035 260 11 XXX
		16	1310	1761	1981	4225	27	5.1	LINW 035 260 16 XXX
		21	1654	2231	2513	5403	33	6.9	LINW 035 260 21 XXX
280	11	11	957	1285	1445	3074	24	3.7	LINW 035 280 11 XXX
		16	1411	1897	2134	4550	29	5.5	LINW 035 280 16 XXX
		21	1781	2402	2706	5818	36	7.4	LINW 035 280 21 XXX

EN442 output at 20°C

enter colour code

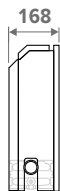
LINEA PLUS HEIGHT 050 (STANDARD)

TECHNICAL TABLE

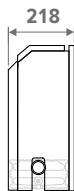
Type 10



Type 15



Type 20



HEIGHT H cm	LENGTH L cm	TYPE T	HEATING Room temperature 20°C				WEIGHT kg	WATER CONTENT L	ORDER CODE
			45/40 Watts	50/45 Watts	55/45 Watts	75/65 Watts			
LINW 050	050	10	157	209	234	482	6	0.3	LINW 050 050 10 XXX
		15	256	338	377	767	8	0.5	LINW 050 050 15 XXX
		20	354	467	521	1060	9	0.7	LINW 050 050 20 XXX
060	10	10	188	250	280	578	7	0.4	LINW 050 060 10 XXX
		15	307	405	453	920	9	0.6	LINW 050 060 15 XXX
		20	424	560	626	1272	10	0.8	LINW 050 060 20 XXX
070	10	10	220	292	327	675	8	0.5	LINW 050 070 10 XXX
		15	358	473	528	1073	10	0.7	LINW 050 070 15 XXX
		20	495	654	730	1484	11	0.9	LINW 050 070 20 XXX
080	10	10	251	334	374	771	9	0.5	LINW 050 080 10 XXX
		15	409	540	603	1226	10	0.8	LINW 050 080 15 XXX
		20	566	747	834	1696	12	1.1	LINW 050 080 20 XXX
090	10	10	283	376	421	868	10	0.6	LINW 050 090 10 XXX
		15	461	608	679	1380	11	0.9	LINW 050 090 15 XXX
		20	637	840	938	1908	13	1.2	LINW 050 090 20 XXX
100	10	10	314	417	467	964	10	0.7	LINW 050 100 10 XXX
		15	512	676	754	1533	12	1.0	LINW 050 100 15 XXX
		20	707	934	1043	2120	14	1.3	LINW 050 100 20 XXX
110	10	10	346	459	514	1060	11	0.7	LINW 050 110 10 XXX
		15	563	743	830	1686	13	1.1	LINW 050 110 15 XXX
		20	778	1027	1147	2332	15	1.5	LINW 050 110 20 XXX
120	10	10	377	501	561	1157	13	0.8	LINW 050 120 10 XXX
		15	615	811	905	1840	15	1.2	LINW 050 120 15 XXX
		20	849	1120	1251	2544	17	1.6	LINW 050 120 20 XXX
140	10	10	440	584	654	1350	14	0.9	LINW 050 140 10 XXX
		15	717	946	1056	2146	17	1.4	LINW 050 140 15 XXX
		20	990	1307	1460	2968	19	1.8	LINW 050 140 20 XXX
160	10	10	503	667	747	1542	16	1.0	LINW 050 160 10 XXX
		15	819	1081	1207	2453	18	1.6	LINW 050 160 15 XXX
		20	1132	1494	1668	3392	21	2.1	LINW 050 160 20 XXX
180	10	10	566	751	841	1735	17	1.2	LINW 050 180 10 XXX
		15	921	1216	1358	2759	20	1.8	LINW 050 180 15 XXX
		20	1273	1681	1877	3816	23	2.4	LINW 050 180 20 XXX
200	10	10	629	835	934	1928	19	1.3	LINW 050 200 10 XXX
		15	1024	1351	1509	3066	22	2.0	LINW 050 200 15 XXX
		20	1415	1867	2085	4240	25	2.6	LINW 050 200 20 XXX
220	10	10	692	918	1028	2121	20	1.4	LINW 050 220 10 XXX
		15	1127	1486	1660	3373	24	2.2	LINW 050 220 15 XXX
		20	1556	2054	2294	4664	27	2.9	LINW 050 220 20 XXX
240	10	10	755	1002	1121	2314	23	1.6	LINW 050 240 10 XXX
		15	1229	1621	1810	3679	26	2.4	LINW 050 240 15 XXX
		20	1698	2241	2502	5088	30	3.2	LINW 050 240 20 XXX
260	10	10	817	1085	1214	2506	24	1.7	LINW 050 260 10 XXX
		15	1331	1757	1961	3986	28	2.5	LINW 050 260 15 XXX
		20	1839	2428	2711	5512	32	3.4	LINW 050 260 20 XXX
280	10	10	880	1168	1308	2699	26	1.8	LINW 050 280 10 XXX
		15	1433	1891	2112	4292	30	2.7	LINW 050 280 15 XXX
		20	1981	2614	2919	5936	34	3.7	LINW 050 280 20 XXX

EN442 output at 20°C

enter colour code

LINEA PLUS HEIGHT 050 (TWIN)

TECHNICAL TABLE

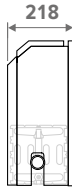
Type 11



Type 16



Type 21



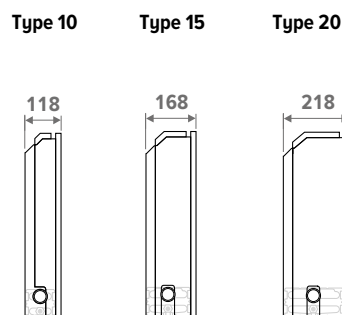
HEIGHT H cm	LENGTH L cm	TYPE T	HEATING Room temperature 20°C				WEIGHT kg	WATER CONTENT L	ORDER CODE
			45/40 Watts	50/45 Watts	55/45 Watts	75/65 Watts			
LINW 050	050	11	205	275	309	655	7	0.7	LINW 050 050 11 XXX
		16	303	407	458	976	9	1.0	LINW 050 050 16 XXX
		21	391	528	595	1282	10	1.3	LINW 050 050 21 XXX
060	11	11	245	329	370	785	8	0.8	LINW 050 060 11 XXX
		16	364	489	550	1171	10	1.2	LINW 050 060 16 XXX
		21	469	633	714	1538	12	1.6	LINW 050 060 21 XXX
070	11	11	286	384	432	916	9	0.9	LINW 050 070 11 XXX
		16	424	570	641	1366	11	1.4	LINW 050 070 16 XXX
		21	547	739	833	1795	13	1.9	LINW 050 070 21 XXX
080	11	11	327	439	494	1047	10	1.1	LINW 050 080 11 XXX
		16	485	652	733	1561	12	1.6	LINW 050 080 16 XXX
		21	625	844	952	2051	14	2.1	LINW 050 080 21 XXX
090	11	11	368	494	555	1178	11	1.2	LINW 050 090 11 XXX
		16	545	733	824	1756	14	1.8	LINW 050 090 16 XXX
		21	704	950	1071	2308	16	2.4	LINW 050 090 21 XXX
100	11	11	409	549	617	1309	12	1.3	LINW 050 100 11 XXX
		16	606	814	916	1951	15	2.0	LINW 050 100 16 XXX
		21	782	1056	1189	2564	17	2.7	LINW 050 100 21 XXX
110	11	11	450	604	679	1440	13	1.5	LINW 050 110 11 XXX
		16	666	896	1007	2146	16	2.2	LINW 050 110 16 XXX
		21	860	1161	1308	2820	18	2.9	LINW 050 110 21 XXX
120	11	11	491	659	741	1571	14	1.6	LINW 050 120 11 XXX
		16	727	977	1099	2341	17	2.4	LINW 050 120 16 XXX
		21	938	1267	1427	3077	20	3.2	LINW 050 120 21 XXX
140	11	11	573	769	864	1833	16	1.9	LINW 050 140 11 XXX
		16	848	1140	1282	2731	20	2.8	LINW 050 140 16 XXX
		21	1095	1478	1665	3590	24	3.7	LINW 050 140 21 XXX
160	11	11	654	878	987	2094	18	2.1	LINW 050 160 11 XXX
		16	970	1303	1466	3122	22	3.2	LINW 050 160 16 XXX
		21	1251	1689	1903	4102	26	4.3	LINW 050 160 21 XXX
180	11	11	736	988	1111	2356	20	2.4	LINW 050 180 11 XXX
		16	1091	1466	1649	3512	24	3.6	LINW 050 180 16 XXX
		21	1407	1900	2141	4615	28	4.8	LINW 050 180 21 XXX
200	11	11	818	1098	1234	2618	22	2.7	LINW 050 200 11 XXX
		16	1212	1629	1832	3902	26	4.0	LINW 050 200 16 XXX
		21	1564	2111	2379	5128	31	5.3	LINW 050 200 21 XXX
220	11	11	900	1208	1358	2880	24	2.9	LINW 050 220 11 XXX
		16	1333	1791	2015	4292	28	4.4	LINW 050 220 16 XXX
		21	1720	2322	2617	5641	33	5.9	LINW 050 220 21 XXX
240	11	11	982	1318	1481	3142	26	3.2	LINW 050 240 11 XXX
		16	1454	1954	2198	4682	30	4.8	LINW 050 240 16 XXX
		21	1876	2533	2855	6154	37	6.4	LINW 050 240 21 XXX
260	11	11	1064	1427	1604	3403	28	3.5	LINW 050 260 11 XXX
		16	1575	2117	2382	5073	33	5.1	LINW 050 260 16 XXX
		21	2032	2744	3092	6666	39	6.9	LINW 050 260 21 XXX
280	11	11	1146	1537	1728	3665	30	3.7	LINW 050 280 11 XXX
		16	1697	2280	2565	5463	35	5.5	LINW 050 280 16 XXX
		21	2189	2955	3330	7179	42	7.4	LINW 050 280 21 XXX

EN442 output at 20°C

enter colour code

LINEA PLUS HEIGHT 065 (STANDARD)

TECHNICAL TABLE



HEIGHT H cm	LENGTH L cm	TYPE T	HEATING Room temperature 20°C				WEIGHT kg	WATER CONTENT L	ORDER CODE
			45/40 Watts	50/45 Watts	55/45 Watts	75/65 Watts			
LINW 065	050	10	185	245	274	561	8	0.3	LINW 065 050 10 XXX
		15	293	384	428	858	10	0.5	LINW 065 050 15 XXX
		20	407	535	596	1196	11	0.7	LINW 065 050 20 XXX
060	10	10	222	294	329	673	9	0.4	LINW 065 060 10 XXX
		15	351	461	513	1029	11	0.6	LINW 065 060 15 XXX
		20	489	642	715	1435	12	0.8	LINW 065 060 20 XXX
070	10	10	259	343	384	785	10	0.5	LINW 065 070 10 XXX
		15	410	538	599	1201	12	0.7	LINW 065 070 15 XXX
		20	570	748	834	1674	14	0.9	LINW 065 070 20 XXX
080	10	10	296	392	438	897	11	0.5	LINW 065 080 10 XXX
		15	468	614	685	1372	13	0.8	LINW 065 080 15 XXX
		20	651	855	953	1913	15	1.1	LINW 065 080 20 XXX
090	10	10	334	441	493	1009	12	0.6	LINW 065 090 10 XXX
		15	527	691	770	1544	14	0.9	LINW 065 090 15 XXX
		20	733	962	1072	2152	16	1.2	LINW 065 090 20 XXX
100	10	10	371	490	548	1121	13	0.7	LINW 065 100 10 XXX
		15	585	768	856	1715	15	1.0	LINW 065 100 15 XXX
		20	814	1069	1191	2391	17	1.3	LINW 065 100 20 XXX
110	10	10	408	539	603	1233	14	0.7	LINW 065 110 10 XXX
		15	644	845	942	1887	16	1.1	LINW 065 110 15 XXX
		20	895	1176	1310	2630	18	1.5	LINW 065 110 20 XXX
120	10	10	445	588	657	1345	15	0.8	LINW 065 120 10 XXX
		15	702	922	1027	2058	18	1.2	LINW 065 120 15 XXX
		20	977	1283	1429	2869	21	1.6	LINW 065 120 20 XXX
140	10	10	519	686	767	1569	17	0.9	LINW 065 140 10 XXX
		15	819	1075	1198	2401	20	1.4	LINW 065 140 15 XXX
		20	1140	1496	1668	3347	23	1.8	LINW 065 140 20 XXX
160	10	10	593	784	877	1794	19	1.0	LINW 065 160 10 XXX
		15	936	1229	1369	2744	22	1.6	LINW 065 160 15 XXX
		20	1303	1710	1906	3826	25	2.1	LINW 065 160 20 XXX
180	10	10	667	882	986	2018	21	1.2	LINW 065 180 10 XXX
		15	1054	1382	1540	3087	24	1.8	LINW 065 180 15 XXX
		20	1465	1924	2144	4304	28	2.4	LINW 065 180 20 XXX
200	10	10	741	980	1096	2242	23	1.3	LINW 065 200 10 XXX
		15	1171	1536	1712	3430	26	2.0	LINW 065 200 15 XXX
		20	1628	2138	2382	4782	30	2.6	LINW 065 200 20 XXX
220	10	10	815	1078	1205	2466	25	1.4	LINW 065 220 10 XXX
		15	1288	1690	1883	3773	29	2.2	LINW 065 220 15 XXX
		20	1791	2351	2621	5260	32	2.9	LINW 065 220 20 XXX
240	10	10	889	1176	1315	2690	28	1.6	LINW 065 240 10 XXX
		15	1405	1843	2054	4116	32	2.4	LINW 065 240 15 XXX
		20	1954	2565	2859	5738	36	3.2	LINW 065 240 20 XXX
260	10	10	964	1275	1425	2915	29	1.7	LINW 065 260 10 XXX
		15	1522	1997	2225	4459	34	2.5	LINW 065 260 15 XXX
		20	2117	2779	3097	6217	38	3.4	LINW 065 260 20 XXX
280	10	10	1038	1373	1534	3139	31	1.8	LINW 065 280 10 XXX
		15	1639	2151	2396	4802	36	2.7	LINW 065 280 15 XXX
		20	2279	2993	3336	6695	41	3.7	LINW 065 280 20 XXX

EN442 output at 20°C

enter colour code

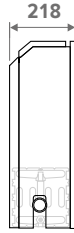
LINEA PLUS HEIGHT 065 (TWIN)

TECHNICAL TABLE

Type 11

Type 16

Type 21



HEIGHT H cm	LENGTH L cm	TYPE T	HEATING Room temperature 20°C				WEIGHT kg	WATER CONTENT L	ORDER CODE
			45/40 Watts	50/45 Watts	55/45 Watts	75/65 Watts			
LINW 065	050	11	233	312	351	742	9	0.7	LINW 065 050 11 XXX
		16	347	466	524	1114	11	1.0	LINW 065 050 16 XXX
		21	457	617	696	1503	12	1.3	LINW 065 050 21 XXX
060	11	11	279	374	421	890	10	0.8	LINW 065 060 11 XXX
		16	416	559	628	1336	12	1.2	LINW 065 060 16 XXX
		21	548	740	835	1803	14	1.6	LINW 065 060 21 XXX
070	11	11	326	437	491	1038	11	0.9	LINW 065 070 11 XXX
		16	485	652	733	1559	13	1.4	LINW 065 070 16 XXX
		21	639	864	974	2104	15	1.9	LINW 065 070 21 XXX
080	11	11	372	499	561	1186	12	1.1	LINW 065 080 11 XXX
		16	555	745	838	1782	14	1.6	LINW 065 080 16 XXX
		21	731	987	1113	2404	17	2.1	LINW 065 080 21 XXX
090	11	11	419	562	631	1335	13	1.2	LINW 065 090 11 XXX
		16	624	838	942	2004	16	1.8	LINW 065 090 16 XXX
		21	822	1111	1252	2705	19	2.4	LINW 065 090 21 XXX
100	11	11	465	624	701	1483	14	1.3	LINW 065 100 11 XXX
		16	693	931	1047	2227	17	2.0	LINW 065 100 16 XXX
		21	913	1234	1391	3005	20	2.7	LINW 065 100 21 XXX
110	11	11	512	686	771	1631	15	1.5	LINW 065 110 11 XXX
		16	763	1024	1152	2450	18	2.2	LINW 065 110 16 XXX
		21	1005	1358	1531	3306	21	2.9	LINW 065 110 21 XXX
120	11	11	559	749	841	1780	17	1.6	LINW 065 120 11 XXX
		16	832	1117	1256	2672	21	2.4	LINW 065 120 16 XXX
		21	1096	1481	1669	3606	24	3.2	LINW 065 120 21 XXX
140	11	11	651	873	981	2076	19	1.9	LINW 065 140 11 XXX
		16	971	1304	1466	3118	24	2.8	LINW 065 140 16 XXX
		21	1279	1728	1948	4207	28	3.7	LINW 065 140 21 XXX
160	11	11	745	998	1122	2373	22	2.1	LINW 065 160 11 XXX
		16	1109	1490	1675	3563	26	3.2	LINW 065 160 16 XXX
		21	1461	1975	2226	4808	30	4.3	LINW 065 160 21 XXX
180	11	11	838	1123	1261	2669	24	2.4	LINW 065 180 11 XXX
		16	1248	1676	1885	4009	28	3.6	LINW 065 180 16 XXX
		21	1644	2221	2504	5409	33	4.8	LINW 065 180 21 XXX
200	11	11	931	1248	1402	2966	26	2.7	LINW 065 200 11 XXX
		16	1387	1862	2094	4454	30	4.0	LINW 065 200 16 XXX
		21	1827	2468	2782	6010	36	5.3	LINW 065 200 21 XXX
220	11	11	1024	1372	1542	3263	28	2.9	LINW 065 220 11 XXX
		16	1525	2048	2303	4899	33	4.4	LINW 065 220 16 XXX
		21	2009	2715	3061	6611	38	5.9	LINW 065 220 21 XXX
240	11	11	1117	1497	1682	3559	31	3.2	LINW 065 240 11 XXX
		16	1664	2235	2513	5345	36	4.8	LINW 065 240 16 XXX
		21	2192	2962	3339	7212	42	6.4	LINW 065 240 21 XXX
260	11	11	1210	1622	1822	3856	33	3.5	LINW 065 260 11 XXX
		16	1802	2421	2722	5790	38	5.1	LINW 065 260 16 XXX
		21	2375	3209	3617	7813	45	6.9	LINW 065 260 21 XXX
280	11	11	1303	1746	1962	4152	35	3.7	LINW 065 280 11 XXX
		16	1941	2607	2932	6236	41	5.5	LINW 065 280 16 XXX
		21	2557	3456	3895	8414	48	7.4	LINW 065 280 21 XXX

EN442 output at 20°C

enter colour code

LINEA PLUS HEIGHT 095 (STANDARD)

TECHNICAL TABLE

Type 10

Type 15

Type 20



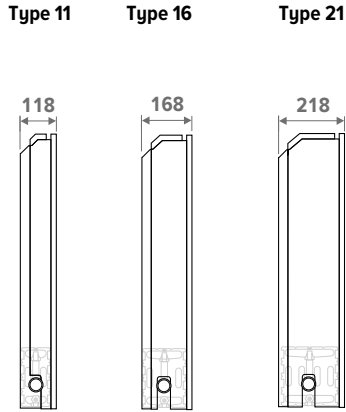
HEIGHT H cm	LENGTH L cm	TYPE T	HEATING Room temperature 20°C				WEIGHT kg	WATER CONTENT L	ORDER CODE
			45/40 Watts	50/45 Watts	55/45 Watts	75/65 Watts			
LINW 095	050	10	---	---	---	---	---	---	
		15	---	---	---	---	---	---	
		20	---	---	---	---	---	---	
060	10	285	374	417	838	12	0.4	LINW 095 060 10 XXX	
	15	430	559	620	1210	15	0.6	LINW 095 060 15 XXX	
	20	605	787	873	1706	17	0.8	LINW 095 060 20 XXX	
070	10	332	436	486	977	14	0.5	LINW 095 070 10 XXX	
	15	502	652	723	1411	16	0.7	LINW 095 070 15 XXX	
	20	707	918	1019	1991	18	0.9	LINW 095 070 20 XXX	
080	10	380	499	556	1117	15	0.5	LINW 095 080 10 XXX	
	15	574	745	827	1613	17	0.8	LINW 095 080 15 XXX	
	20	807	1049	1164	2275	20	1.1	LINW 095 080 20 XXX	
090	10	427	561	625	1256	16	0.6	LINW 095 090 10 XXX	
	15	645	838	930	1814	19	0.9	LINW 095 090 15 XXX	
	20	909	1181	1310	2560	21	1.2	LINW 095 090 20 XXX	
100	10	475	623	695	1396	17	0.7	LINW 095 100 10 XXX	
	15	717	931	1033	2016	20	1.0	LINW 095 100 15 XXX	
	20	1009	1311	1456	2844	23	1.3	LINW 095 100 20 XXX	
110	10	522	686	764	1536	19	0.7	LINW 095 110 10 XXX	
	15	789	1025	1137	2218	21	1.1	LINW 095 110 15 XXX	
	20	1110	1442	1601	3128	24	1.5	LINW 095 110 20 XXX	
120	10	569	748	834	1675	21	0.8	LINW 095 120 10 XXX	
	15	861	1118	1240	2419	24	1.2	LINW 095 120 15 XXX	
	20	1211	1574	1747	3413	28	1.6	LINW 095 120 20 XXX	
140	10	664	872	973	1954	24	0.9	LINW 095 140 10 XXX	
	15	1004	1304	1447	2822	27	1.4	LINW 095 140 15 XXX	
	20	1413	1836	2038	3982	30	1.8	LINW 095 140 20 XXX	

EN442 output at 20°C

enter colour code

LINEA PLUS HEIGHT 095 (TWIN)

TECHNICAL TABLE



HEIGHT H cm	LENGTH L cm	TYPE T	HEATING Room temperature 20°C				WEIGHT kg	WATER CONTENT L	ORDER CODE
			45/40 Watts	50/45 Watts	55/45 Watts	75/65 Watts			
095	050	11	---	---	---	---	---	---	
		16	---	---	---	---	---	---	
		21	---	---	---	---	---	---	
060	11	333	446	501	1055	13	0.8	LINW 095 060 11 XXX	
	16	503	674	758	1608	16	1.2	LINW 095 060 16 XXX	
	21	691	935	1055	2290	18	1.6	LINW 095 060 21 XXX	
070	11	389	521	585	1231	15	0.9	LINW 095 070 11 XXX	
	16	586	787	884	1876	17	1.4	LINW 095 070 16 XXX	
	21	806	1091	1231	2671	20	1.9	LINW 095 070 21 XXX	
080	11	444	595	668	1406	16	1.1	LINW 095 080 11 XXX	
	16	670	899	1011	2144	19	1.6	LINW 095 080 16 XXX	
	21	921	1247	1407	3053	22	2.1	LINW 095 080 21 XXX	
090	11	500	669	751	1582	17	1.2	LINW 095 090 11 XXX	
	16	754	1012	1137	2412	21	1.8	LINW 095 090 16 XXX	
	21	1036	1403	1582	3434	24	2.4	LINW 095 090 21 XXX	
100	11	556	743	835	1758	19	1.3	LINW 095 100 11 XXX	
	16	838	1124	1263	2680	22	2.0	LINW 095 100 16 XXX	
	21	1151	1559	1758	3816	25	2.7	LINW 095 100 21 XXX	
110	11	611	818	918	1934	20	1.5	LINW 095 110 11 XXX	
	16	921	1236	1390	2948	24	2.2	LINW 095 110 16 XXX	
	21	1267	1715	1934	4198	27	2.9	LINW 095 110 21 XXX	
120	11	667	892	1002	2110	23	1.6	LINW 095 120 11 XXX	
	16	1005	1349	1516	3216	27	2.4	LINW 095 120 16 XXX	
	21	1382	1870	2110	4579	31	3.2	LINW 095 120 21 XXX	
140	11	778	1041	1169	2461	26	1.9	LINW 095 140 11 XXX	
	16	1173	1573	1769	3752	31	2.8	LINW 095 140 16 XXX	
	21	1612	2182	2462	5342	35	3.7	LINW 095 140 21 XXX	

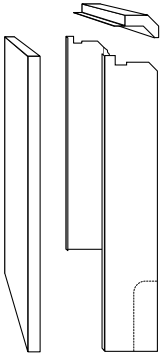
EN442 output at 20°C

enter colour code

LINEA PLUS

PARTS

CASING



STANDARD DELIVERY:

- grille
- front panel
- 2 sides
- colour 133, 001 or 145

ORDER CODE

CLIW 020 050 10 XXX
 Colour
 Type
 Length
 Height

HEATING SET



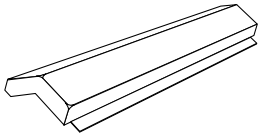
STANDARD DELIVERY:

- heat exchanger
- wall brackets
- angled air vent (for types 10, 15 and 20) or extended air vent (for types 11, 16 and 21)
- mounting set
- 1/2" drain cock

ORDER CODE

HLIW 020 050 10
 Type
 Length
 Height

GRILLE



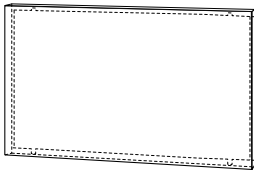
STANDARD DELIVERY:

- colour 133, 001 or 145

ORDER CODE

5602 000 050 10 XXX
 Colour
 Type
 Length

FRONT PANEL



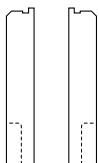
STANDARD DELIVERY:

- colour 133, 001 or 145

ORDER CODE

5503 020 050 00 XXX
 Colour
 Length
 Height

SIDES (in pairs)



STANDARD DELIVERY:

- colour 133, 001 or 145

ORDER CODE

5704 020 000 10 XXX
 Colour
 Type
 Height

LINEA PLUS

PARTS

BRACKETS (per unit)



- Number of brackets for heat exchanger
- from lengths 050 to 110 cm: 2 units
 - from lengths 120 to 220 cm: 3 units
 - from lengths 240 to 280 cm: 4 units

ORDER CODE

5106 020 000 10
 └───┬───┬───
 Type of heat exchanger
 Height

HEAT EXCHANGER



STANDARD DELIVERY:

- heat exchanger
- incl. angled air vent and drain cock

ORDER CODE

5003 000 050 06
 └───┬───┬───
 Type of heat exchanger
 Length

Overview types of heat exchangers

	Linea Plus Type 10	Linea Plus Type 11	Linea Plus Type 15	Linea Plus Type 16	Linea Plus Type 20	Linea Plus Type 21
HEIGHT 020	 Type 10		 Type 15		 Type 20	
HEIGHT 035 HEIGHT 050 HEIGHT 065 HEIGHT 095	 Type 10	 Type 11	 Type 15	 Type 16	 Type 20	 Type 21

EXTENDED AIR VENT 1/8"



	H20			H35					H50					H65					H95									
	Type	10	15	20	10	11	15	16	20	21	10	11	15	16	20	21	10	11	15	16	20	21	10	11	15	16	20	21
Order code																												
50900 114 078	✓	✓	✓	-	✓	-	✓	-	✓	-	-	-	-	-	-	-	-	-	-	-	-	-	-	-	-	-	-	-
50900 114 178	-	-	-	✓	-	✓	-	✓	-	-	-	-	-	-	-	-	-	-	-	-	-	-	-	-	-	-	-	-
50900 114 278	-	-	-	-	-	-	-	-	-	-	✓	-	✓	-	✓	-	-	-	-	-	-	-	-	-	-	-	-	-
50900 114 378	-	-	-	-	-	-	-	-	-	✓	-	✓	-	✓	-	-	✓	-	✓	-	✓	-	✓	-	✓	-	-	-
50900 114 528	-	-	-	-	-	-	-	-	-	-	-	-	-	-	-	✓	-	✓	-	✓	-	-	-	-	-	-	-	-
50900 114 728	-	-	-	-	-	-	-	-	-	-	-	-	-	-	-	-	-	-	-	-	✓	✓	✓	✓	✓	✓	✓	✓

Las emisiones indicadas con ΔT 50 (75/65/20) son valores exactos medidos según la EN442. Para el resto de ΔT , esta tabla indica un valor calculado utilizando un factor de corrección medio válido para todas las dimensiones.

En www.jaga.info/descargas/selection_tools/ se pueden descargar herramientas de cálculo con las emisiones exactas. Las herramientas de cálculo online se mantienen siempre actualizadas con los datos más recientes. Por lo tanto, las pequeñas diferencias entre las tablas impresas y las diversas herramientas de cálculo online son completamente normales y se encuentran dentro de los márgenes de tolerancia establecidos por la norma.

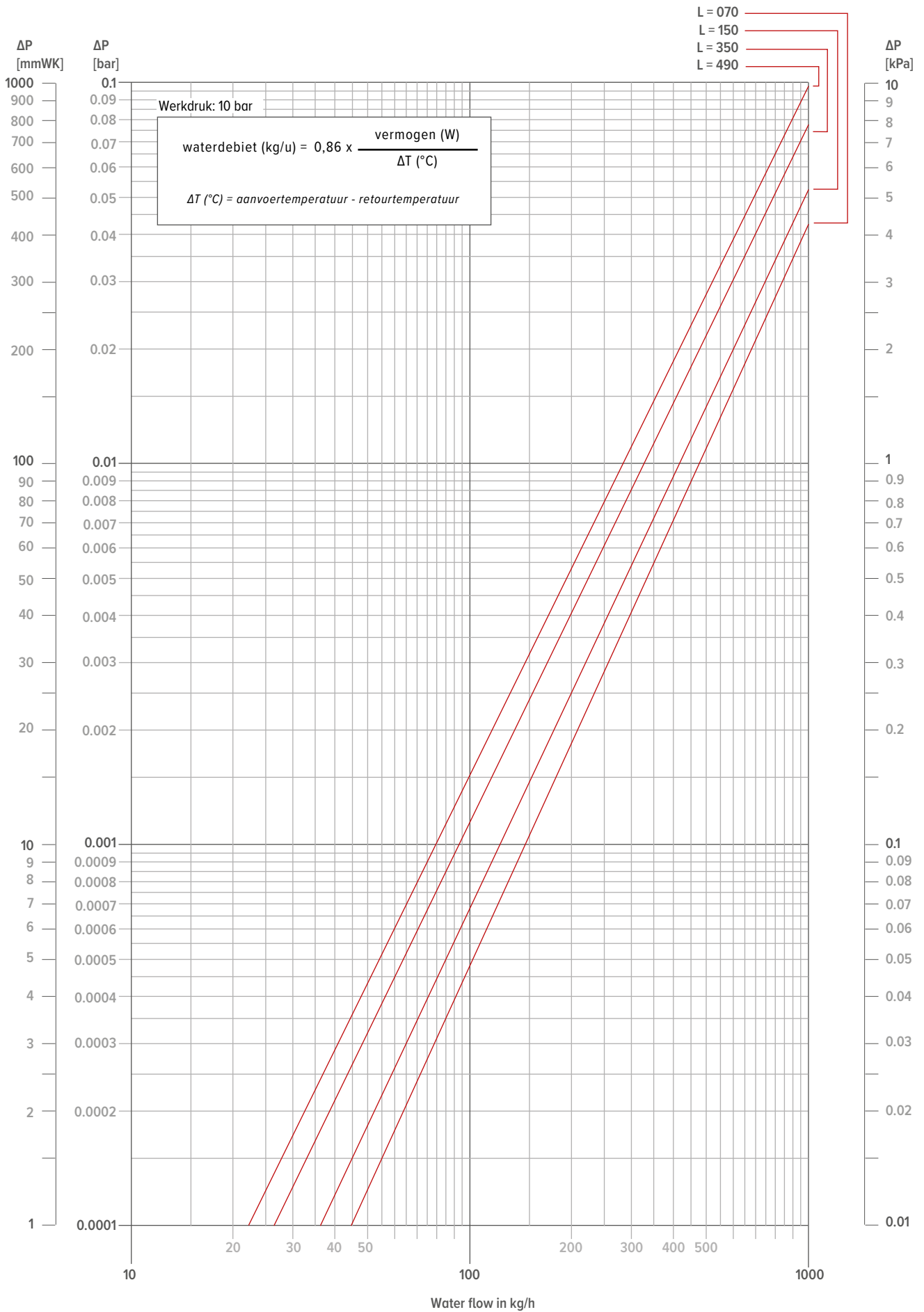
FACTORES DE CORRECCIÓN MEDIOS PARA PRODUCTOS ESTÁTICOS SEGÚN EN442 - 75/65/20°C

temperatura ambiente: 20°C Valor-N medio: 1.36

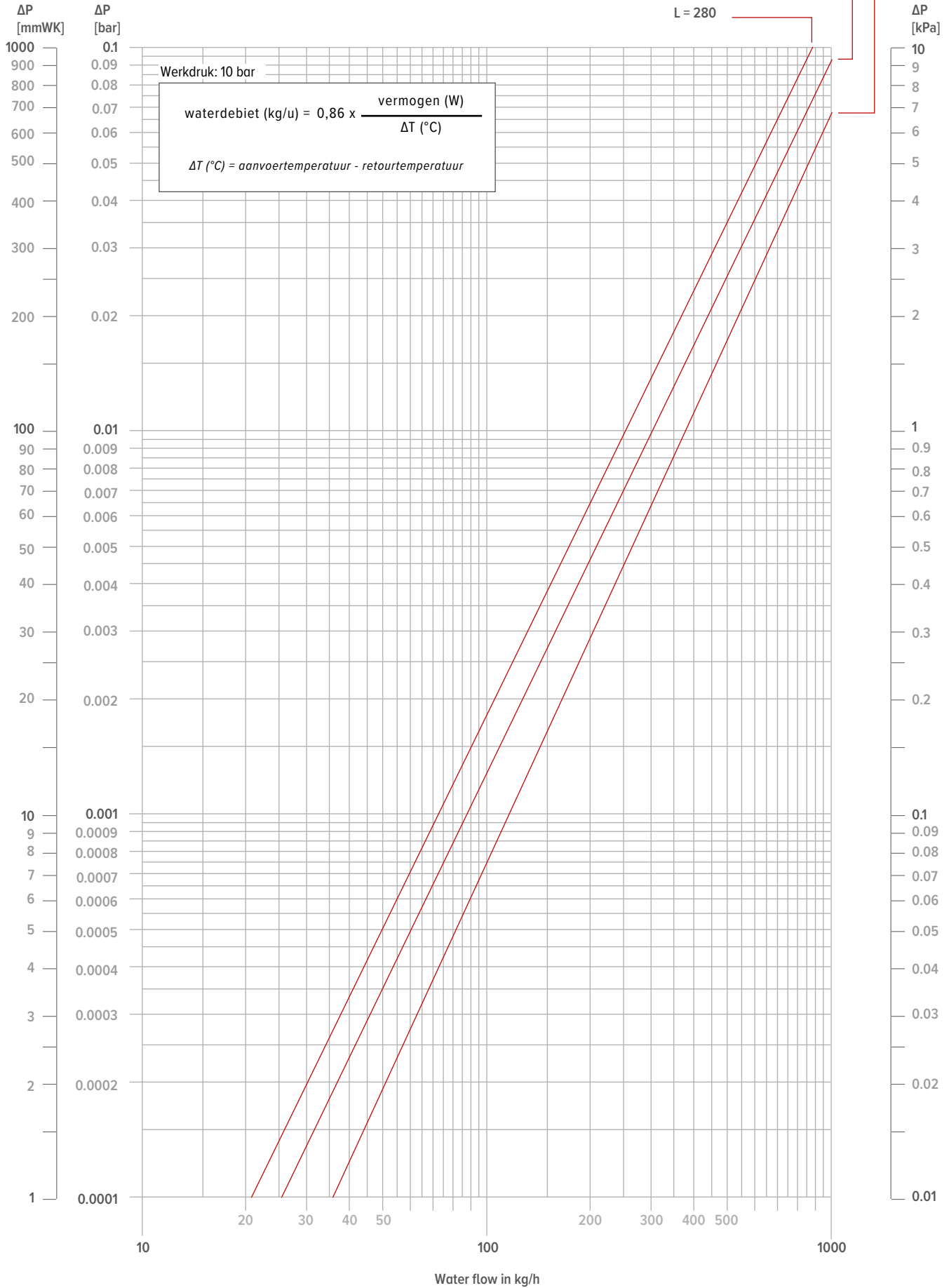
	TR	65	60	55	50	45	40	35	30	25
TA										
75		1.00	0.93	0.85	0.77	0.69	0.61	0.52	0.42	0.31
70		0.94	0.87	0.79	0.72	0.64	0.56	0.48	0.39	0.28
65			0.80	0.74	0.67	0.60	0.52	0.44	0.35	0.25
60				0.68	0.61	0.55	0.48	0.40	0.32	0.23
55					0.56	0.50	0.43	0.36	0.29	0.20
50						0.44	0.38	0.32	0.25	0.18
45							0.34	0.28	0.22	0.15
40								0.24	0.19	0.13
35									0.15	0.10
30										0.07

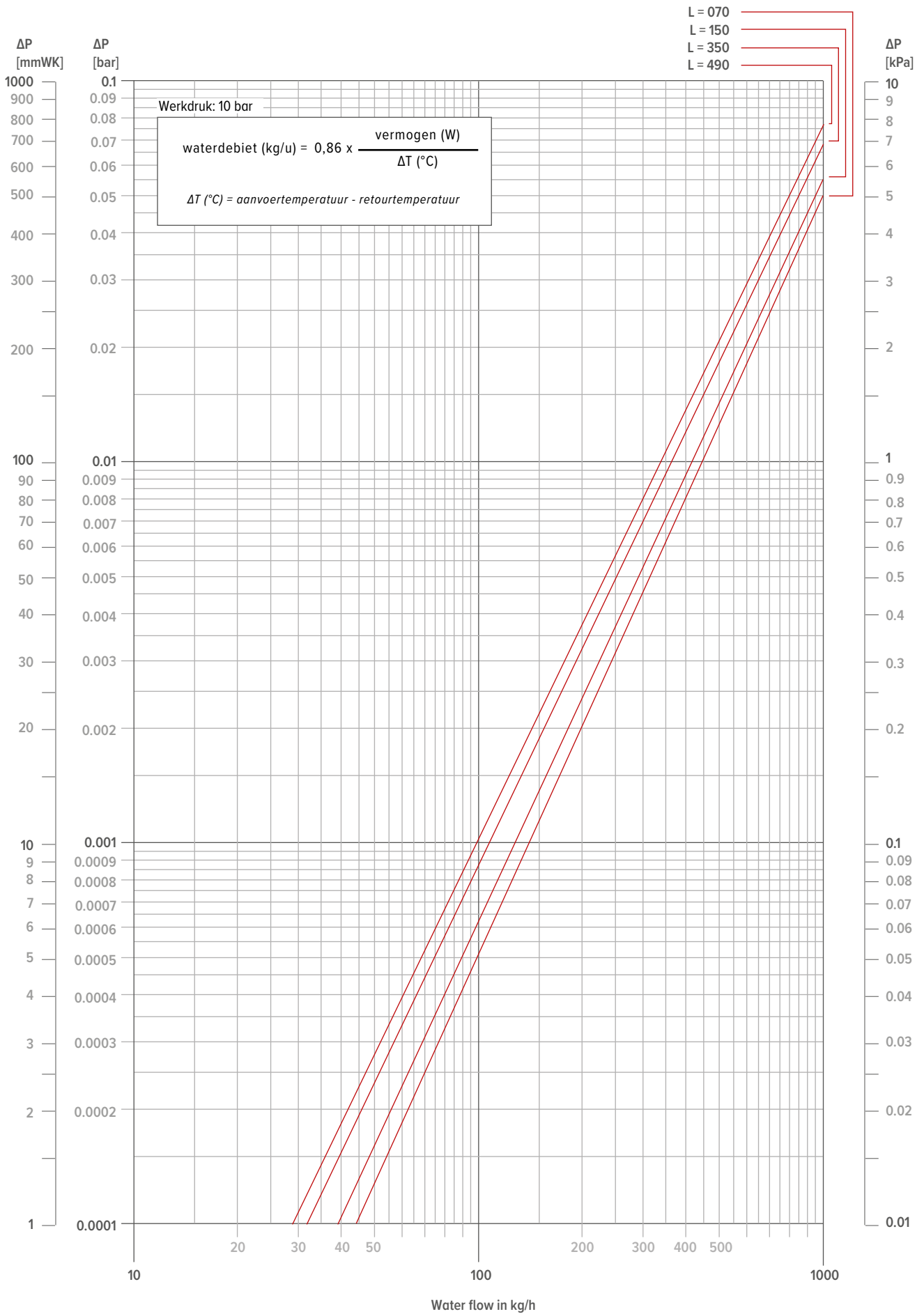
temperatura ambiente: 24°C Valor-N medio: 1.36

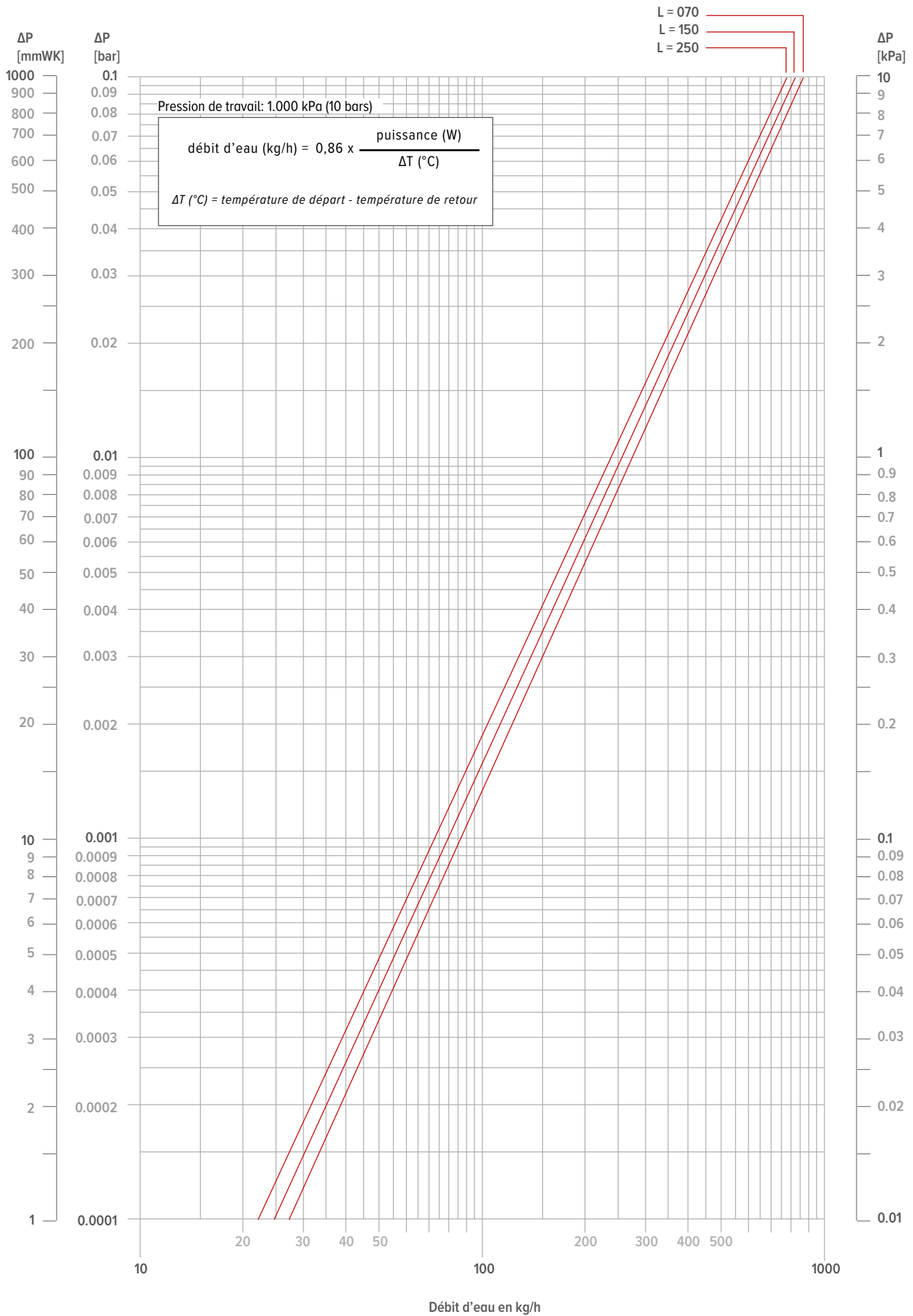
	TR	65	60	55	50	45	40	35	30	25
TA										
75		0.89	0.82	0.75	0.67	0.59	0.51	0.41	0.31	0.16
70		0.83	0.76	0.69	0.62	0.54	0.47	0.38	0.28	0.14
65			0.70	0.64	0.57	0.50	0.43	0.35	0.25	0.12
60				0.58	0.52	0.45	0.38	0.31	0.23	0.11
55					0.47	0.41	0.34	0.28	0.20	0.09
50						0.36	0.30	0.24	0.17	0.08
45							0.26	0.20	0.14	0.06
40								0.17	0.12	0.05
35									0.09	0.03
30										0.02

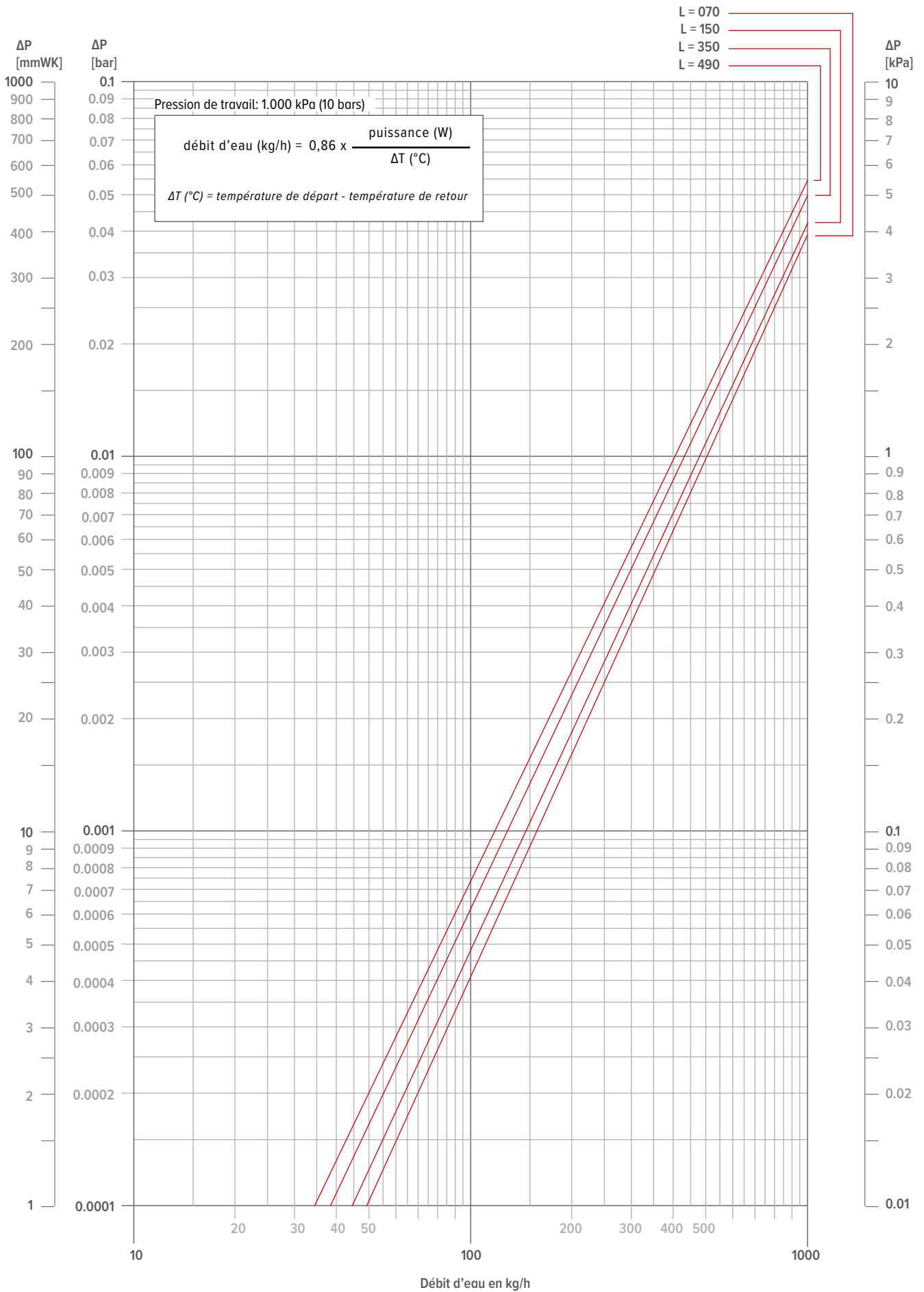


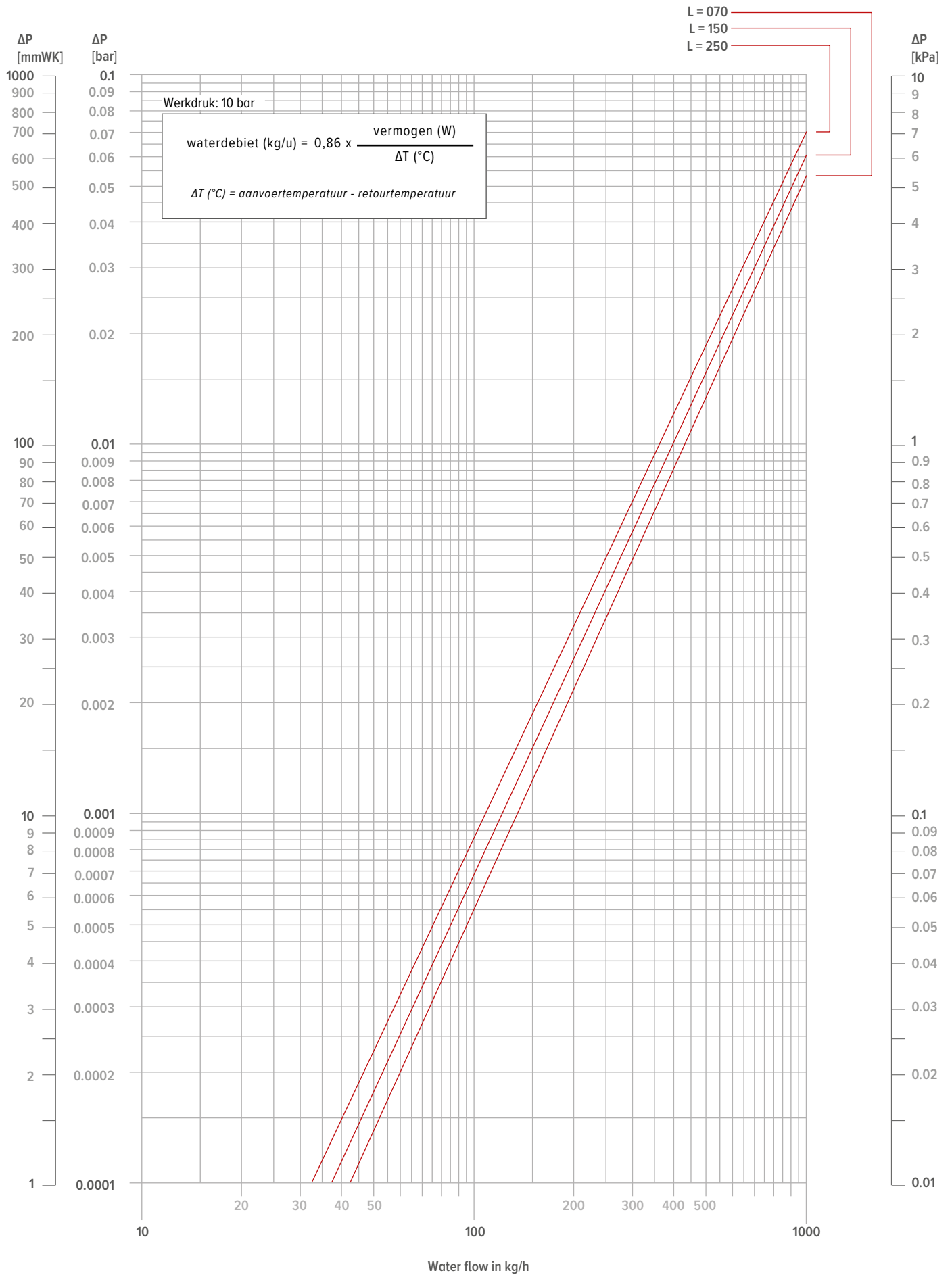
L = 070
 L = 150
 L = 280













jaga

CLIMATE
DESIGNERS

JAGA INTERNATIONAL JAGA NV

In need of some advice? Make an appointment at the Jaga Advice Centre.

Verbindingslaan 16
3590 Diepenbeek

+32 (0) 11 29 41 12

export@jaga.be
jaga.com