

jaga

CLIMATE DESIGNERS



KNOCKONWOOD



EXPORT@JAGA.BE +32 (0) 11 29 41 12

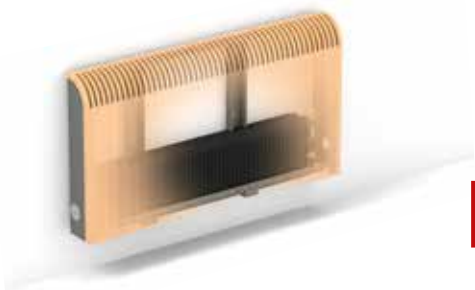
DBH UPGRADE SET

Do you own a Knockonwood and would you like to upgrade it for an improved low temperature output, and/or do you want Light Cooling? Then take a look in our brochure at the DBH Upgrade Set.

BEFORE

Heating only 

Knockonwood H50 L100 Type 11



AFTER

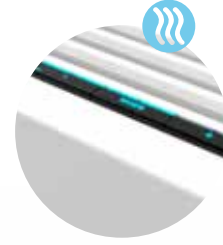
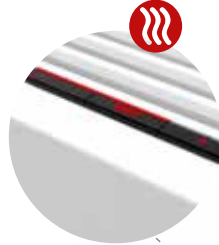
Heating

+

Breeze

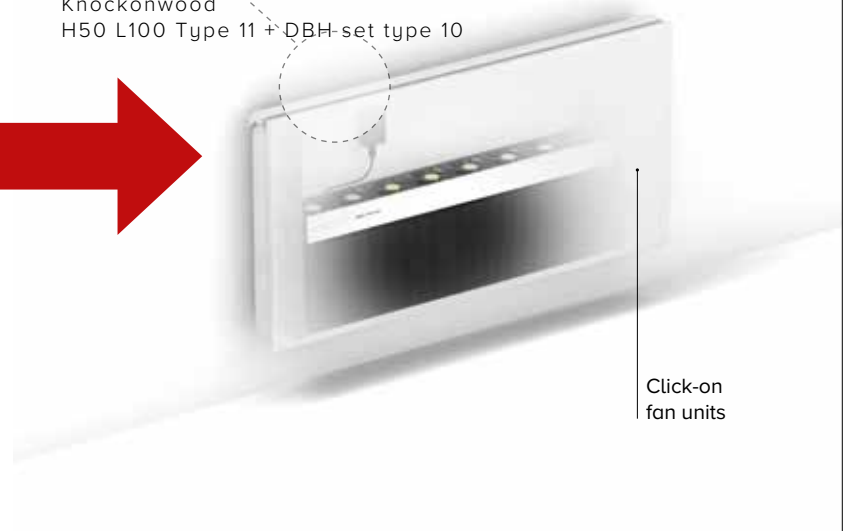
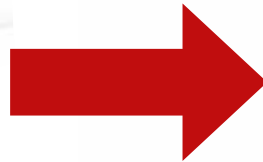
+

Cooling



Light cooling for all heat pumps with cooling function

Knockonwood H50 L100 Type 11 + DBH-set type 10



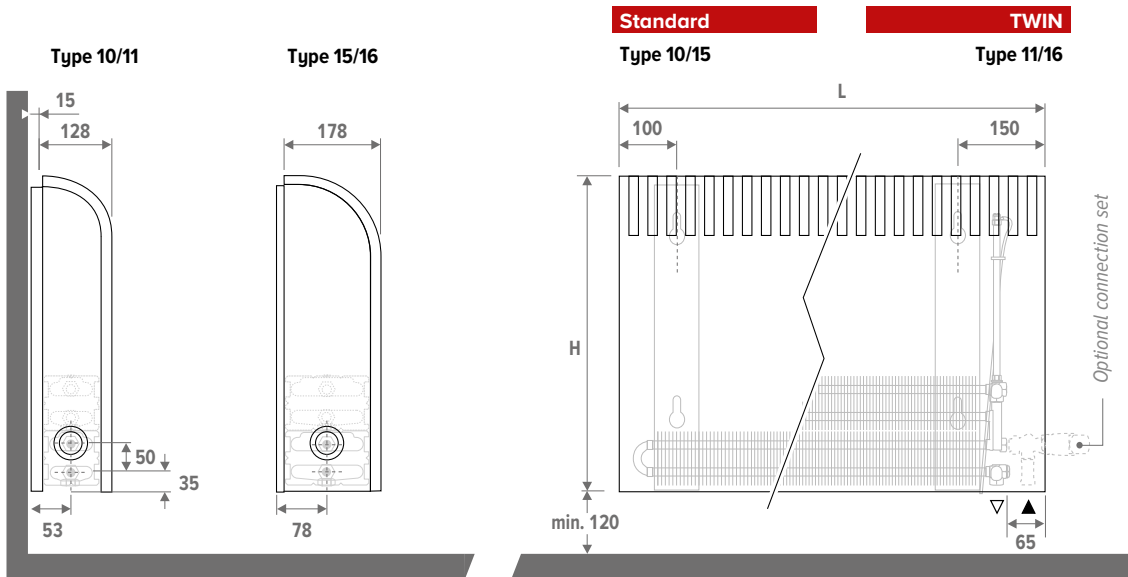
Click-on fan units

KNOCKONWOOD

CONTENT	3
TECHNICAL INFORMATION	5
Dimensions	5
Optional towel rail	5
Hydronic connection	6
Connection left or right with controls below (Standard)	6
Connection left or right with controls above	6
Connection left or right with remote control	6
Most used connection sets	7
Technical table	8
Height 020	8
Height 035	9
Parts	10
Correction factors	11
Pressure drop	12
Type 10	12
Type 11	13
Type 15	14
Type 16	15



DIMENSIONS (in cm)







STANDARD DELIVERY

- Low-H₂O heat exchanger, with dirt and dust repellent coating in graphite grey (RAL 7024)
- wall brackets and mounting set
- extended air vent 1/8" and 1/2" drain cock
- casing made of curved plywood with a high-grade veneer finish, sides of lacquered steel, sandblast grey metallic 001.
- cover plate in stainless steel effect for the side panel at the opposite end from the valve

WOOD FINISHES

The wooden casing is finished with a scratch-resistant polyurethane varnish, satin matte, gloss degree 40%. High UV resistance.

Available from stock in height 055 and lengths from 060 to 140.

	
700 Oak natural	740 Zebrano natural
Available on request	
	
760 Maple natural	720 Beech natural
	
701 Oak bleached	721 Beech bleached
	
710 Mahogany	702 Oak wenge-coloured
	
780 Walnut	

ORDER CODE

KNOW 055	060	10	XXX
			Type of wood
			Type
			Length

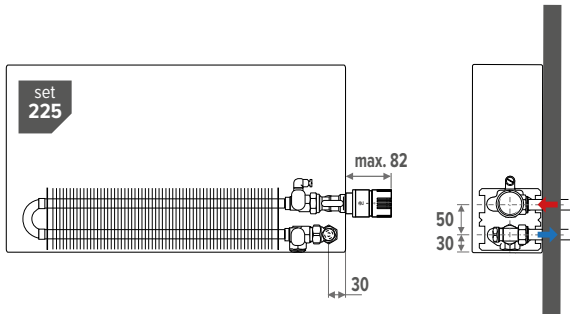
STANDARD: CONNECTION LEFT OR RIGHT WITH CONTROLS BELOW

Left or right downwards, to the wall or to the floor. Wall connection from the underside of the panelling or completely concealed within the panelling. The installer can rotate the heat exchanger to accommodate a left or right-side connection.

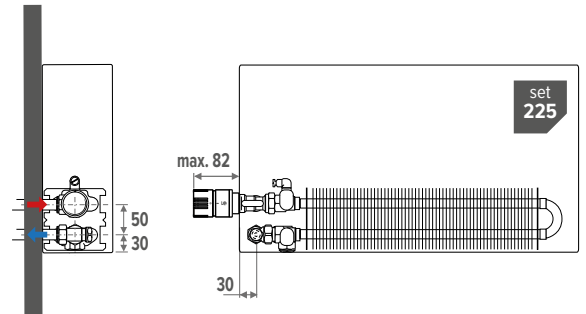
Compatible Eurocone connection sets: 101, 102, 103, 104, 181, 182, 183, 184, 222, 225, 226, 282, 285

Compatible M24 connection sets: 11, 12, 13, 14, 25

Example of connection to the right (standard)



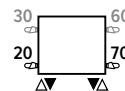
Example of connection to the left (standard)



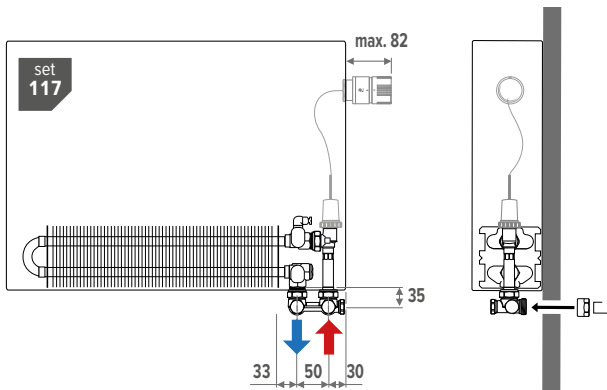
CONNECTION LEFT OR RIGHT WITH CONTROLS ABOVE

Complete the radiator code with 30 (left) or 60 (right). EX. KNOW.055 050 10 xxx 60

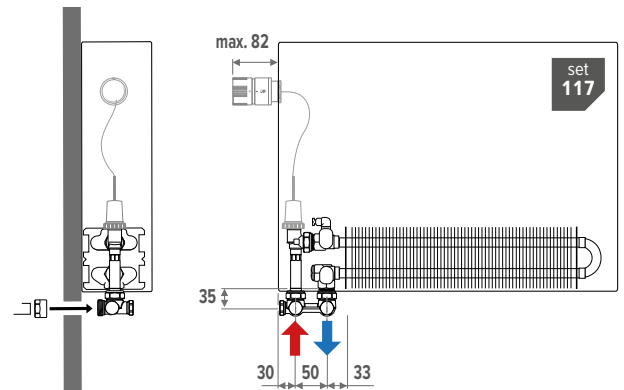
Compatible Eurocone connection sets: 115, 116, 117, 118



Example of connection to the right (standard)



Example of connection to the left (standard)



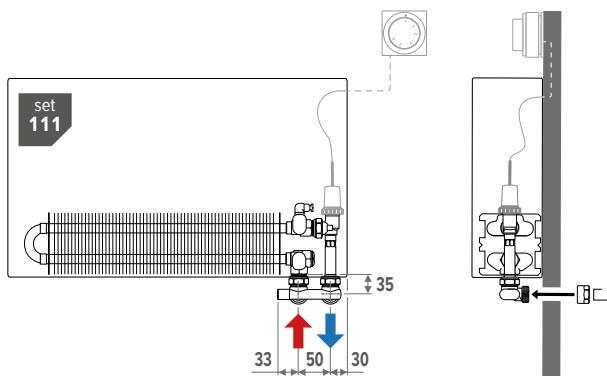
CONNECTION LEFT OR RIGHT WITH REMOTE CONTROL

Complete the radiator code with 00 (closed sides). EX. KNOW.055 050 10 xxx 00

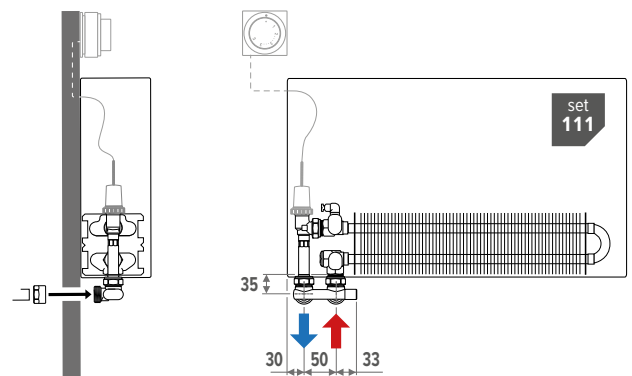
Compatible Eurocone connection sets: 111, 112, 113, 114

Compatible M24 connection sets: 28, 29

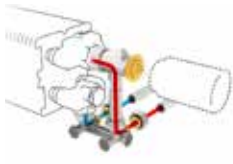
Example of connection to the right (standard)



Example of connection to the left (standard)



To the wall - FLOW ON THE OUTSIDE
With Jaga H-valve



set 103	KVS: 0.8	TWO PIPE / ONE PIPE	
COLO HBSW AC 4...	AC		
COLO HBSW AW 4...	AW		
COLO HBSW AS 4...	AS		
COLO HBSW AB 4...	AB		
COLO HBSW JH 4...	JH		

fill in sleeve coupling code

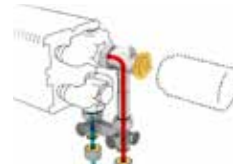
With Gampper Vario DP Dynamic valve



set 183	automatic flow limiter (20 - 340 l/h)	TWO PIPE	
COLO GASW AC 4...	AC		
COLO GASW AW 4...	AW		
COLO GASW AS 4...	AS		
COLO GASW AB 4...	AB		
COLO GASW JH 4...	JH		

fill in sleeve coupling code

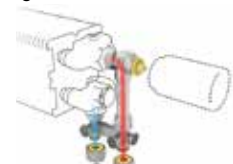
To the floor - FLOW ON THE OUTSIDE
With Jaga H-valve



set 104	KVS: 0.8	TWO PIPE / ONE PIPE	
COLO HBSF AC 4...	AC		
COLO HBSF AW 4...	AW		
COLO HBSF AS 4...	AS		
COLO HBSF AB 4...	AB		
COLO HBSF JH 4...	JH		

fill in sleeve coupling code

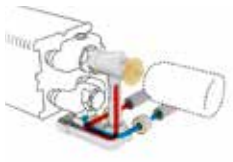
With Gampper Vario DP Dynamic valve



set 184	automatic flow limiter (20 - 340 l/h)	TWO PIPE	
COLO GASF AC 4...	AC		
COLO GASF AW 4...	AW		
COLO GASF AS 4...	AS		
COLO GASF AB 4...	AB		
COLO GASF JH 4...	JH		

fill in sleeve coupling code

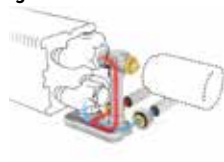
To the wall - FLOW ON THE INSIDE
With Jaga Crossflow valve



set 101	KVS: 0.8	TWO PIPE	
COLO HBCW AC 4...	AC		
COLO HBCW AW 4...	AW		
COLO HBCW AS 4...	AS		
COLO HBCW AB 4...	AB		
COLO HBCW JH 4...	JH		

fill in sleeve coupling code

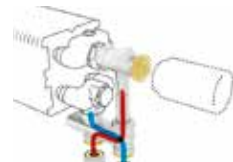
With Gampper Vario DP Dynamic valve



set 181	automatic flow limiter (20 - 340 l/h)	TWO PIPE	
COLO GACW AC 4...	AC		
COLO GACW AW 4...	AW		
COLO GACW AS 4...	AS		
COLO GACW AB 4...	AB		
COLO GACW JH 4...	JH		

fill in sleeve coupling code

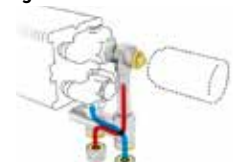
To the floor - FLOW ON THE INSIDE
With Jaga Crossflow valve



set 102	KVS: 0.8	TWO PIPE	
COLO HBCF AC 4...	AC		
COLO HBCF AW 4...	AW		
COLO HBCF AS 4...	AS		
COLO HBCF AB 4...	AB		
COLO HBCF JH 4...	JH		

fill in sleeve coupling code

With Gampper Vario DP Dynamic valve



set 182	automatic flow limiter (20 - 340 l/h)	TWO PIPE	
COLO GACF AC 4...	AC		
COLO GACF AW 4...	AW		
COLO GACF AS 4...	AS		
COLO GACF AB 4...	AB		
COLO GACF JH 4...	JH		

fill in sleeve coupling code

To the wall - WITHIN THE CASING
With Jaga valve



set 225	KVS: 0.8	TWO PIPE	
COLO SW2 AC 4...	AC		
COLO SW2 AW 4...	AW		
COLO SW2 AS 4...	AS		
COLO SW2 AB 4...	AB		
COLO SW2 JH 4...	JH		

fill in sleeve coupling code

With Gampper Vario DP Dynamic valve



set 285	automatic flow limiter (20 - 340 l/h)	TWO PIPE	
COLO GW2 AC 4...	AC		
COLO GW2 AW 4...	AW		
COLO GW2 AS 4...	AS		
COLO GW2 AB 4...	AB		
COLO GW2 JH 4...	JH		

fill in sleeve coupling code

With 2 lockshields



set 226	TWO PIPE	
COLO LOA 00 4...		
fill in sleeve coupling code		

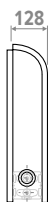
Sleeve couplings 3/4" Eurocone

PRECISION METAL TUBE		SYNTHETIC OR RPE/ALU	
CODE	Tube Ø	CODE	Tube Ø
112	12/1	612	12/2
114	14/1	614	14/2
115	15/1	616	16/2
116	16/1	618	18/2
118	18/1	619	16/1.5
		620	20/2

KNOCKONWOOD HEIGHT 055 (STANDARD)

TECHNICAL TABLE

Type 10



Type 15



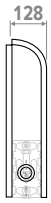
KNOW	HEIGHT H cm	LENGTH L cm	TYPE T	HEATING Room temperature 20°C					WEIGHT Kg	WATER CONTENT L	ORDER CODE
				35/30 Watts	45/40 Watts	50/45 Watts	55/45 Watts	75/65 Watts			
	055	060	10	93	214	285	319	660	9	0.4	KNOW 055 060 10 XXX
			15	144	330	437	488	1001	10	0.6	KNOW 055 060 15 XXX
	080	10	123	286	380	425	880	11	0.5	KNOW 055 080 10 XXX	
		15	192	440	582	651	1335	12	0.8	KNOW 055 080 15 XXX	
	100	10	154	357	475	532	1100	12	0.7	KNOW 055 100 10 XXX	
		15	240	550	728	814	1669	14	1.0	KNOW 055 100 15 XXX	
	120	10	185	429	570	638	1320	15	0.8	KNOW 055 120 10 XXX	
		15	288	660	874	977	2003	17	1.2	KNOW 055 120 15 XXX	
	140	10	216	500	665	744	1540	16	0.8	KNOW 055 140 10 XXX	
		15	336	770	1019	1140	2337	19	1.2	KNOW 055 140 15 XXX	

type of wood

KNOCKONWOOD HEIGHT 055 (TWIN)

TECHNICAL TABLE

Type 11



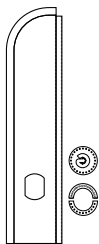
Type 16



KNOW	055	HEIGHT H cm	LENGTH L cm	TYPE T	HEATING Room temperature 20°C					WEIGHT Kg	WATER CONTENT L	ORDER CODE
					35/30 Watts	45/40 Watts	50/45 Watts	55/45 Watts	75/65 Watts			
				11	90	219	295	333	718	10	0.8	KNOW 055 060 11 XXX
				16	135	326	439	495	1063	12	1.2	KNOW 055 060 16 XXX
				080	120	292	394	444	958	12	0.9	KNOW 055 080 11 XXX
				16	179	434	586	660	1418	14	1.4	KNOW 055 080 16 XXX
				100	150	365	492	555	1197	14	1.1	KNOW 055 100 11 XXX
				16	224	543	732	825	1772	17	1.6	KNOW 055 100 16 XXX
				120	180	437	591	666	1436	17	1.2	KNOW 055 120 11 XXX
				16	269	651	878	989	2126	20	1.8	KNOW 055 120 16 XXX
				140	210	511	690	777	1676	19	1.3	KNOW 055 140 11 XXX
				16	314	760	1025	1155	2481	23	2.0	KNOW 055 140 16 XXX

type of wood →

CASING



STANDARD DELIVERY:

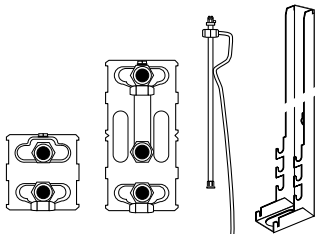
- complete one-piece casing consisting of:
- wood mantel in natural oak (700) or zebra-wood (740)
 - 2 sides
 - top lath / bottom lath
 - cover plates

ORDER CODE

CKNW 055 060 10 XXX

└─ Type of wood
└─ Type
└─ Length

HEAT EXCHANGER



STANDARD DELIVERY:

- heat exchanger
- wall brackets
- extended air vent 1/8"
- mounting set
- 1/2" drain cock

ORDER CODE

HKNW 055 060 10

└─ Type
└─ Length

EXTENDED AIR VENT 1/8"



TYPE	H55			
	10	11	15	16
Order code				
50900 114 278	-	✓	-	✓
50900 114 378	✓	-	✓	-

The indicated outputs at ΔT 50 are exact values, measured in accordance with EN442. This table provides a calculated value using an average correction factor for all other ΔT outputs, valid for all dimensions.

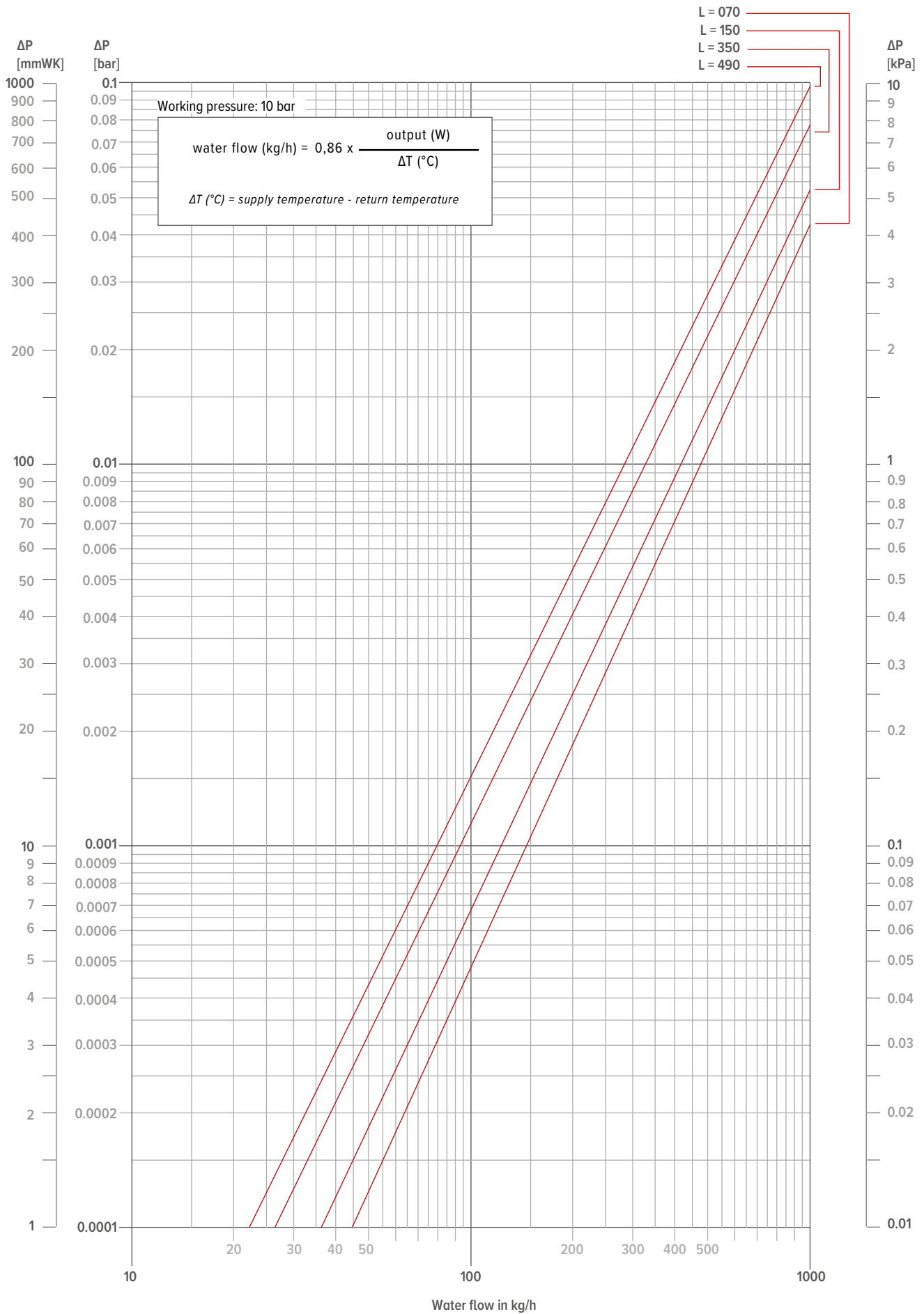
Click www.jaga.com/selection-tools/ to download the calculation tools with the exact outputs. The online calculation tools are kept up to date with the most recent data. Minor output differences between printed tables and the different online calculation tools are therefore completely normal and within the margins of tolerance imposed by the standard.

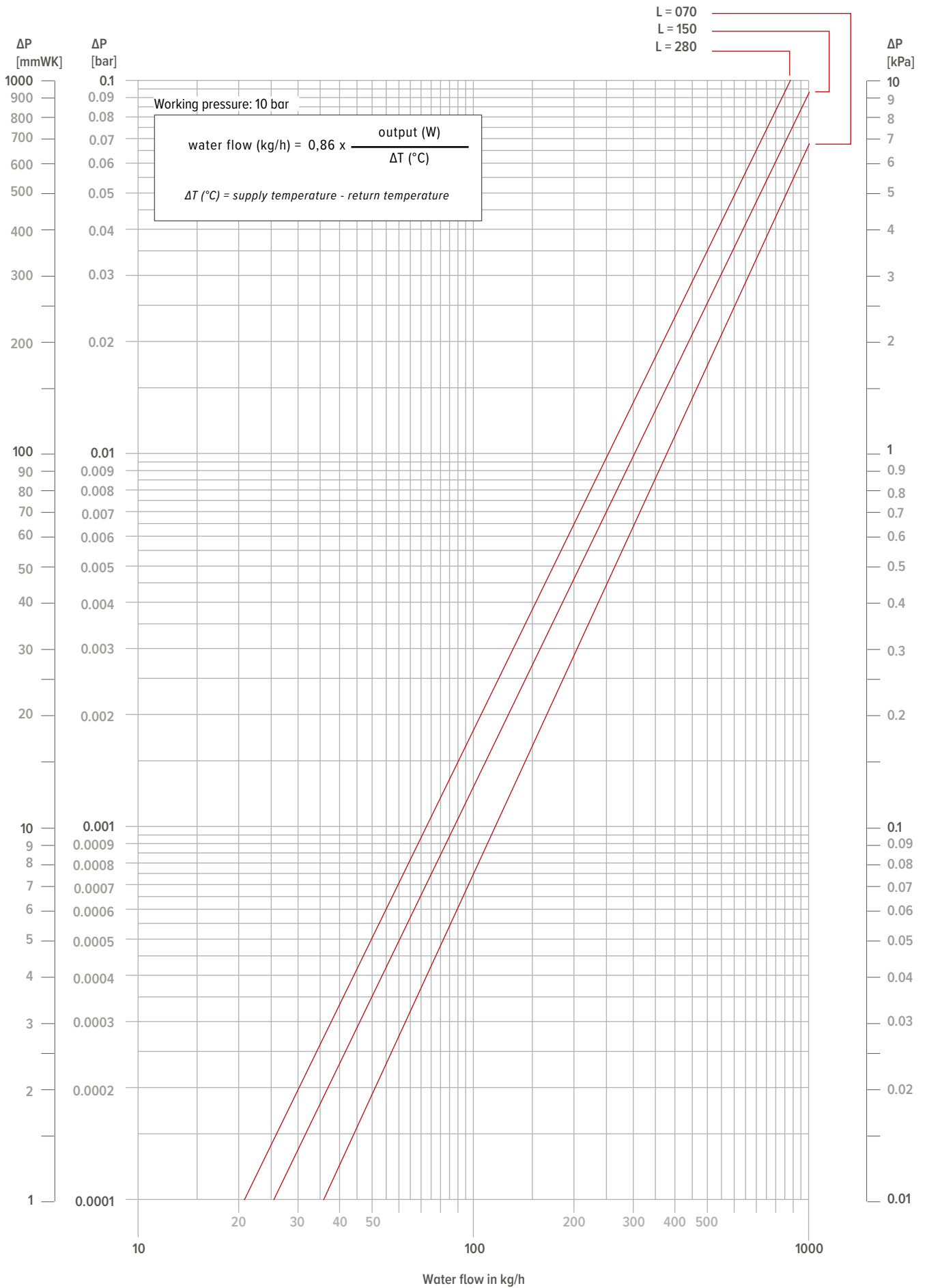
AVERAGE CORRECTION FACTORS FOR STATIC PRODUCTS ACCORDING TO EN442 - 75/65/20°C

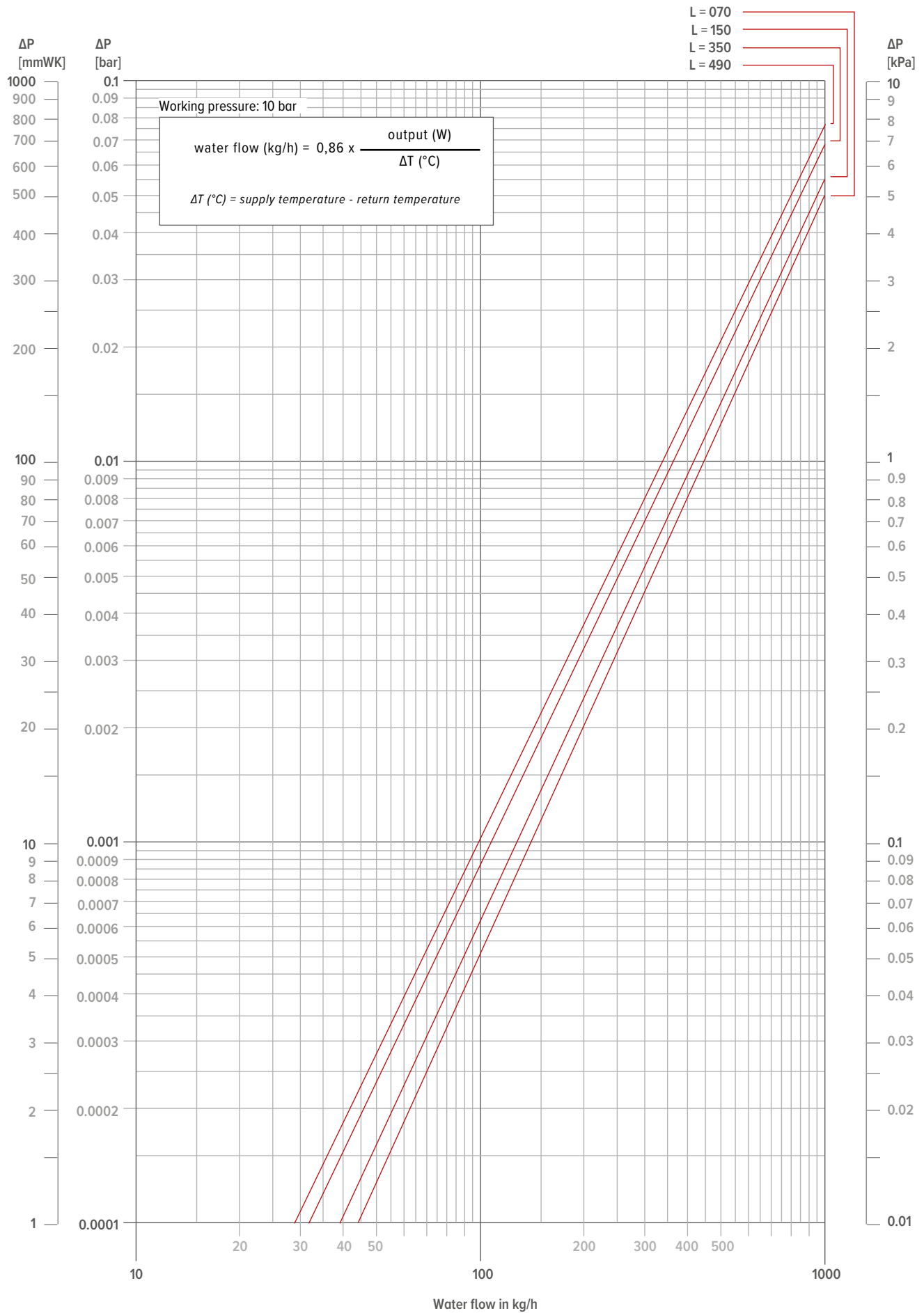
room temperature: 20°C		Average N-value: 1.36								
	TR	65	60	55	50	45	40	35	30	25
TA										
75	1.00	0.93	0.85	0.77	0.69	0.61	0.52	0.42	0.31	
70	0.94	0.87	0.79	0.72	0.64	0.56	0.48	0.39	0.28	
65		0.80	0.74	0.67	0.60	0.52	0.44	0.35	0.25	
60			0.68	0.61	0.55	0.48	0.40	0.32	0.23	
55				0.56	0.50	0.43	0.36	0.29	0.20	
50					0.44	0.38	0.32	0.25	0.18	
45						0.34	0.28	0.22	0.15	
40							0.24	0.19	0.13	
35								0.15	0.10	
30									0.07	

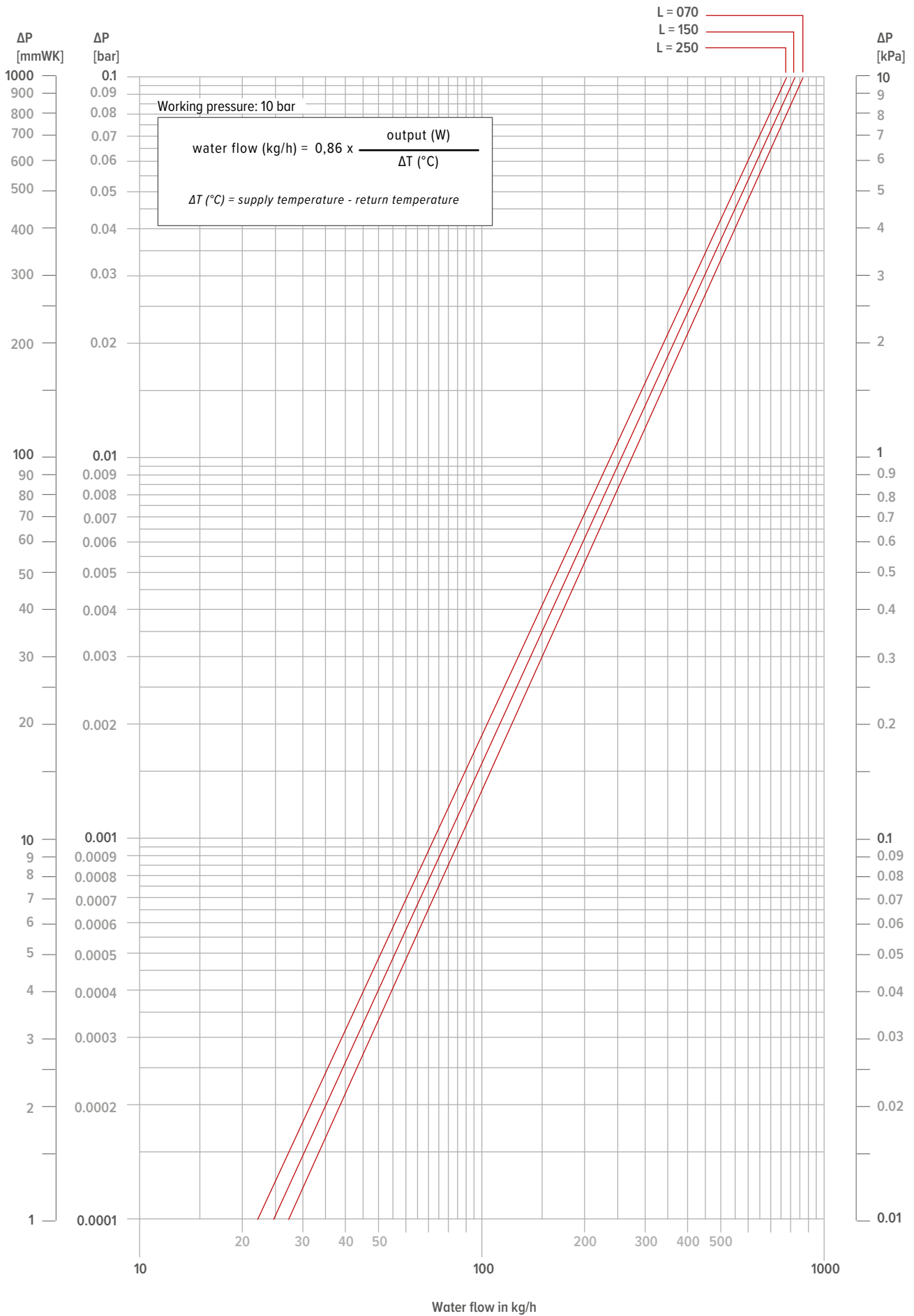
room temperature: 24°C		Average N-value: 1.36								
	TR	65	60	55	50	45	40	35	30	25
TA										
75		0.89	0.82	0.75	0.67	0.59	0.51	0.41	0.31	0.16
70		0.83	0.76	0.69	0.62	0.54	0.47	0.38	0.28	0.14
65			0.70	0.64	0.57	0.50	0.43	0.35	0.25	0.12
60				0.58	0.52	0.45	0.38	0.31	0.23	0.11
55					0.47	0.41	0.34	0.28	0.20	0.09
50						0.36	0.30	0.24	0.17	0.08
45							0.26	0.20	0.14	0.06
40								0.17	0.12	0.05
35									0.09	0.03
30										0.02

Average corrective index for Strada (without DBH). Exact corrective index for Strada or Strada Hybrid; see selection tools











jaga

CLIMATE
DESIGNERS

JAGA INTERNATIONAL JAGA NV

In need of some advice? Make an appointment at the Jaga Advice Centre.

Verbindingslaan 16
3590 Diepenbeek

+32 (0) 11 29 41 12

export@jaga.be
jaga.com