

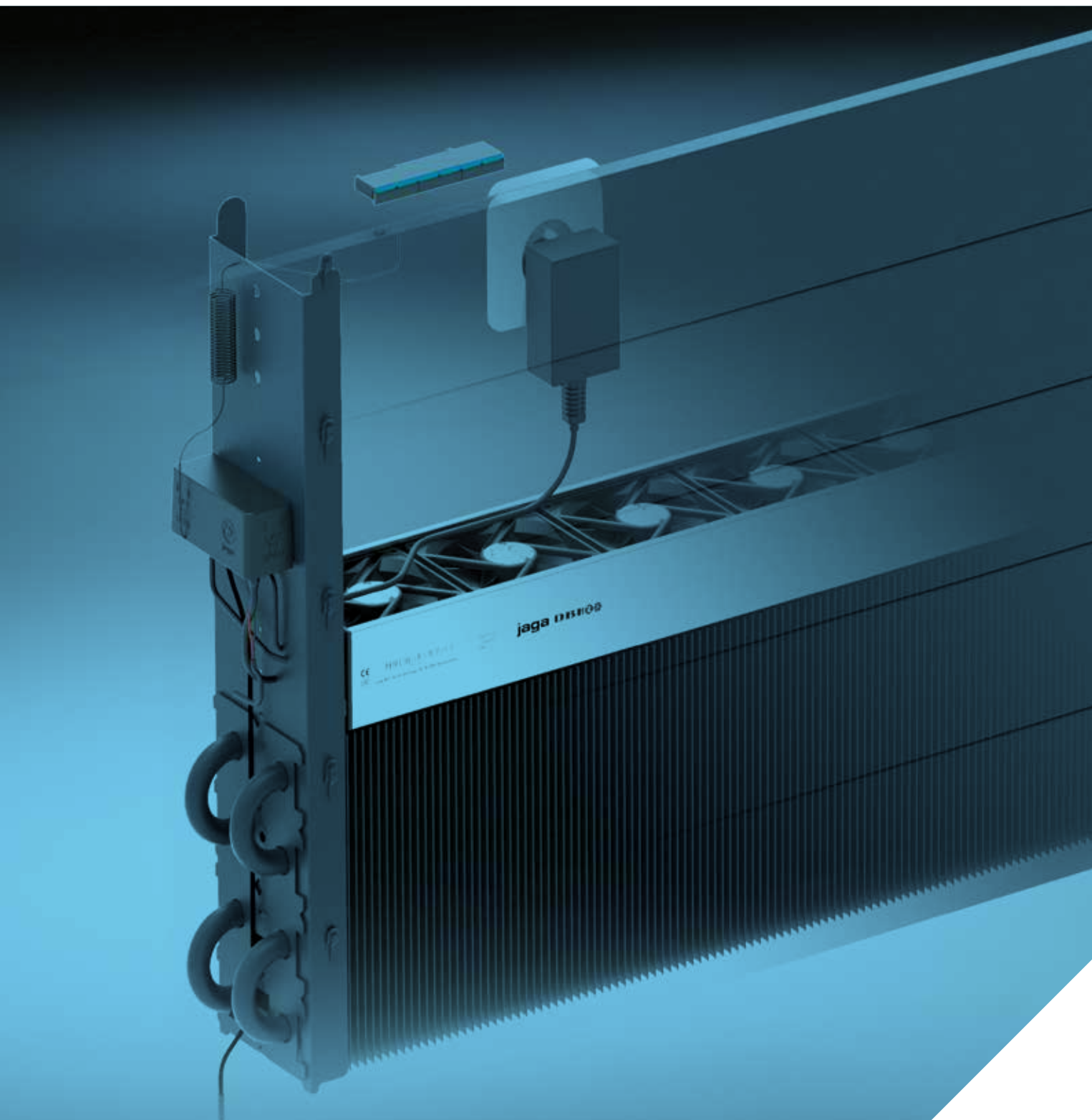
jaga

CLIMATE DESIGNERS

Heating 

Light cooling 

INSTALLATION IN A WALL RECESS HYBRID € 2024.EX



jaga

CLIMATE DESIGNERS

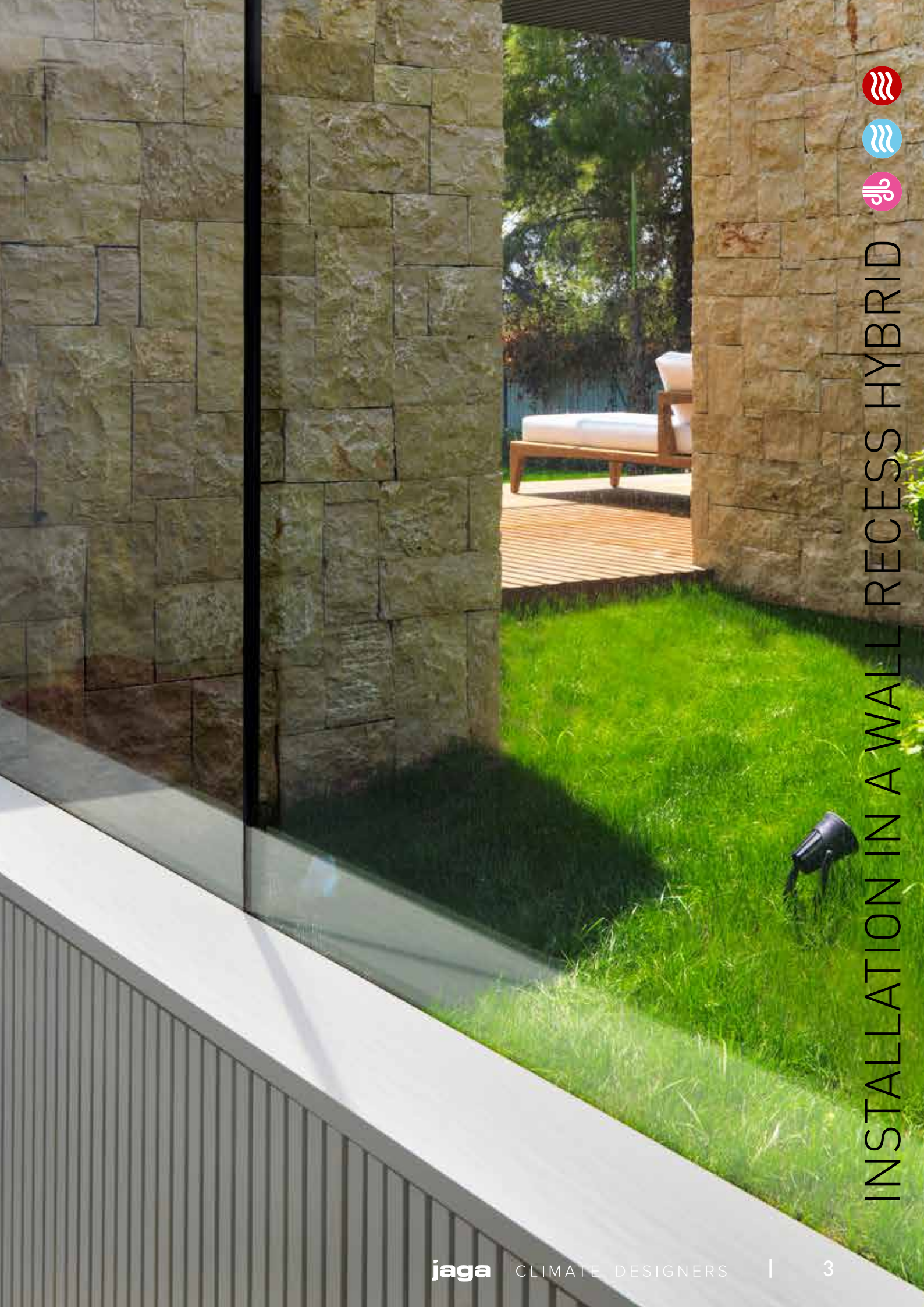
INSTALLATION IN A WALL RECESS HYBRID

Compact built-in heating unit
for heating or heating + cooling

- **Efficient and effortless heating with the lowest water temperature**
Energy-efficient non-condensing cooling in combination with any heat pump that can supply cooling water
- **Improves the seasonal efficiency of each heat pump**
- **Makes sure that the condensing boilers are operating at their lowest temperature and as efficiently as possible.**

Also
suitable for
Jaga Light
cooling





INSTALLATION IN A WALL RECESS HYBRID



Installation in a wall recess Hybrid T16
H30 x L120
● 55/45/20: 2735 Watts
● 16/18/27: 740 Watts

HEATING OR HEATING + LIGHT COOLING: THE IDEAL HEAT PUMP HEATING UNIT

HIGH OUTPUT WITH ALL WATER TEMPERATURES, HOT AND COLD

New, environmentally-friendly installations require much better thermal units. This ensures a comfortable temperature at a low water temperature and a refreshing coolness with non-condensing cooling. Jaga Hybrid heating units are equipped with the brand new DBH system, DB stands for Dynamic Boost, to considerably increase the power of the heater. The H of Hybrid stands for the dual effect: heating and cooling.

- perfectly controlled heating at the lowest water temperature thanks to the hybrid system's reaction speed
- by default, suitable for energy-efficient non-condensing cooling in combination with any heat pump.

MOST RESPONSIVE OUTPUT SYSTEM CRUCIAL FOR HEATING AND COOLING DOWN

Heating

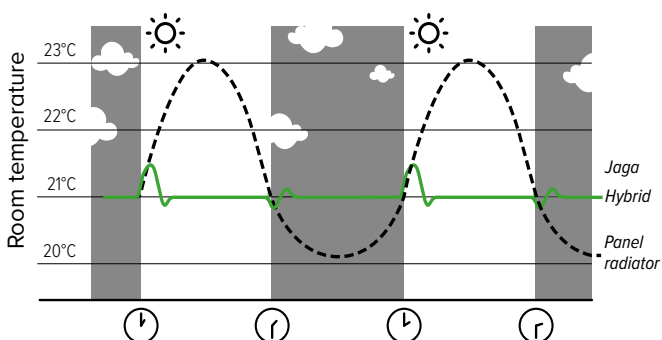
Is the oven or dishwasher on? If the sun shines inside? Your home is a dynamic given with constantly changing temperature conditions and comfort requirements. A quickly reacting heater such as Strada Hybrid anticipates this and accurately controls the temperature in all circumstances.

Jaga light cooling

The reaction capacity is also crucial for non-condensing cooling. In order to prevent moisture problems, central condensation monitoring must be provided. This can only work efficiently with a very fast-acting delivery system, which immediately adjusts the cooling system in case of a sudden rise in humidity.

More than ever, the responsiveness determines your energy consumption and your comfort.

COMPARISON OF THE REACTION TIME IN CASE OF TEMPERATURE CHANGES



MULTIFUNCTIONAL INTELLIGENCE

Auto-change-over mode (Standard)

You do not have to do anything at all to switch between heating and cooling down. Due to its accurate room – and water temperature sensors, the hybrid is fully automated. To achieve the requested temperature you can set 3 different fan speeds, depending on the room where the heating unit is located: bedroom mode max. 26 dB(A), comfort mode max. 30 dB(A) or maximum mode for rapid heating and cooling.

With breeze feature

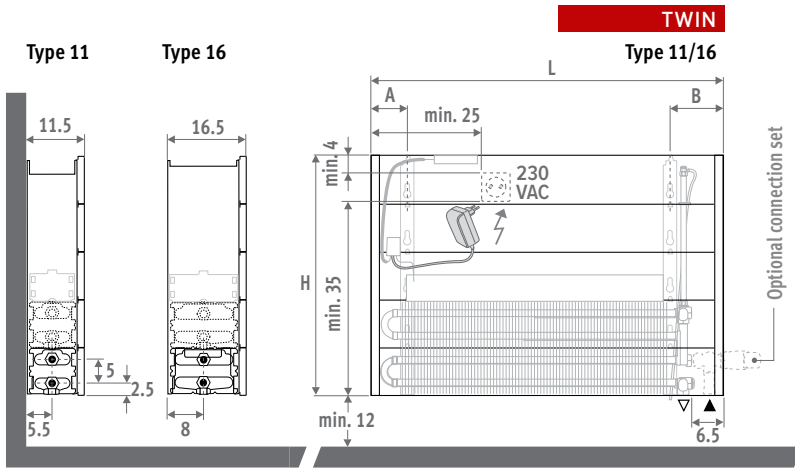
The Hybrid heater's DBH system can also be activated if there is no cooling water, so without a heat pump. The vicinity of the heater can already feel less warm with just the air movement of the fans.



INSTALLATION IN A WALL RECESS HYBRID



DIMENSIONS (in cm)



ORDER CODE

Code	Height	Length	Type
BIWW . 030	060	060	11 /ACO

GUIDELINES FOR INSTALLATION

Set up the boxes so that the heat exchanger remains accessible for an annual cleaning service.

The outputs indicated are based on a free air flow of 75% of the depth. If the free opening is smaller, a correction factor must be applied to calculate the heat output.

% Free air flow	Correction factor
75	1.00
60	0.96
50	0.92
40	0.84
30	0.66

DELIVERY

Light and easily installed by one person. Delivered flat packed in 2 packages for ease of handling and storage.

Standard delivery:

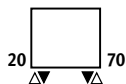
- Low-H₂O heat exchanger with wall brackets and fixing kit
- air vent elbow (standard) or extended air vent (twin) 1/8" and drain plug 1/2"
- separation wall dark grey lacquered (not suitable as finished casing)
- Easy to install DBH-unit with operation, control and 24VDC power supply
- clear installation instructions

⚠ This heater is not equipped with a condensation monitor. It has to be integrated into the installation. (only for cooling)

CONNECTION

Standard connection

bottom end left or right



ELECTRICAL CONNECTION

For the DBH system an available socket is required. At a height of 50, 65 and 95 cm a 230V socket or a 24V power cable can be placed inside the unit. At height of 35 cm, only a power cable can be placed inside the casing or an outlet next to the unit. Do not connect the electrical and hydraulic connections on the same side of the coil.

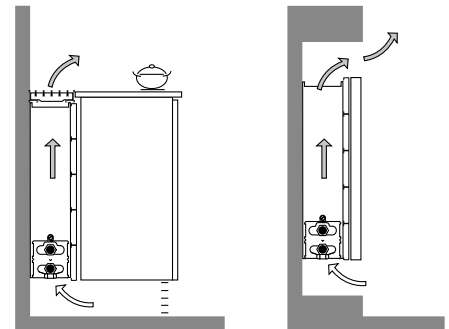
HYDRAULIC CONNECTION

Heating

Supply/ return left or right bottom towards the back or downwards

Heating and cooling

The same connections and valve sets can be used for heating and cooling as for single heating. For the valve sets, use the version with the Heimeier thermostat head HC for heating and cooling or the version with a manual valve. It doesn't get any simpler!



OUTPUTS INSTALLATION IN A WALL RECESS HYBRID

HEIGHT 030 - 050 - 070

DIMENSIONS			POSITION	HEATING Room temperature 20°C				COOLING Room temperature 27°C	SOUND PRESSURE dB(A)	ELECTRIC POWER CONSUMPTION W	PRICE H030 €	PRICE H040 €	PRICE H050 €	PRICE H060 €	ORDER CODE
H cm	L cm	B cm		75/65 Watts	55/45 Watts	45/35 Watts	35/30 Watts	16/18 Watts							
HHH 060	11	1	1142	647	409	246	191	26.0	4.8	614	625	634	645	BIWW.HHH 060 11 /ACO	
		2	1223	693	438	263	205	30.0	5.4						
		3	1447	819	518	311	242	40.0	6.8						
	16	1	1400	793	501	301	214	26.0	4.8	676	690	703	714	BIWW.HHH 060 16 /ACO	
		2	1503	851	538	323	230	30.0	5.5						
		3	1989	1126	712	428	305	41.1	7.2						
HHH 080	11	1	1648	933	589	355	276	26.0	6.3	699	709	723	738	BIWW.HHH 080 11 /ACO	
		2	1770	1002	633	381	296	30.0	6.8						
		3	2136	1210	764	460	358	41.8	9.1						
	16	1	2040	1156	730	439	312	26.0	6.0	785	800	815	827	BIWW.HHH 080 16 /ACO	
		2	2188	1239	783	471	335	30.0	6.7						
		3	2936	1663	1050	632	450	42.4	9.0						
HHH 100	11	1	2136	1210	764	460	358	26.0	7.8	836	854	867	886	BIWW.HHH 100 11 /ACO	
		2	2301	1303	823	495	385	30.0	8.7						
		3	2825	1600	1011	608	473	43.0	12.2						
	16	1	2630	1490	941	566	403	26.0	7.0	966	981	999	1015	BIWW.HHH 100 16 /ACO	
		2	2817	1595	1008	606	431	30.0	7.7						
		3	3883	2199	1389	836	595	44.1	10.7						
HHH 120	11	1	2612	1479	935	562	437	26.0	8.9	915	934	951	970	BIWW.HHH 120 11 /ACO	
		2	2822	1598	1010	607	473	30.0	9.9						
		3	3514	1990	1257	756	589	44.0	14.8						
	16	1	3242	1836	1160	698	496	26.0	8.7	1057	1078	1098	1115	BIWW.HHH 120 16 /ACO	
		2	3472	1966	1242	747	532	30.0	9.8						
		3	4830	2735	1728	1039	740	44.8	14.3						
HHH 140	11	1	3077	1743	1101	662	515	26.0	10.1	1000	1023	1045	1070	BIWW.HHH 140 11 /ACO	
		2	3333	1887	1192	717	558	30.0	11.2						
		3	4203	2380	1504	904	704	44.8	17.5						
	16	1	3844	2177	1376	827	589	26.0	9.6	1161	1189	1212	1233	BIWW.HHH 140 16 /ACO	
		2	4117	2332	1473	886	630	30.0	10.5						
		3	5777	3272	2067	1243	885	45.4	14.4						
HHH 160	11	1	3533	2001	1264	760	592	26.0	11.0	1223	1246	1269	1297	BIWW.HHH 160 11 /ACO	
		2	3835	2172	1372	825	642	30.0	12.4						
		3	4892	2771	1750	1053	819	45.5	19.2						
	16	1	4418	2502	1581	951	676	26.0	11.5	1438	1466	1493	1516	BIWW.HHH 160 16 /ACO	
		2	4717	2671	1688	1015	722	30.0	12.8						
		3	6724	3808	2406	1447	1030	46.4	19.6						
HHH 200	11	1	4423	2505	1582	952	741	26.0	13.4	1403	1431	1463	1496	BIWW.HHH 200 11 /ACO	
		2	4821	2730	1725	1037	807	30.0	14.8						
		3	6270	3551	2243	1349	1050	46.5	24.0						
	16	1	5667	3210	2028	1220	868	26.0	13.2	1701	1736	1767	1799	BIWW.HHH 200 16 /ACO	
		2	5971	3382	2137	1285	914	30.0	14.7						
		3	8618	4881	3083	1855	1320	47.1	23.5						
HHH 240	11	1	5238	2967	1874	1127	877	26.0	14.8	1723	1759	1795	1837	BIWW.HHH 240 11 /ACO	
		2	5738	3250	2053	1235	961	30.0	16.6						
		3	7648	4331	2736	1646	1281	47.2	28.0						
	16	1	6916	3917	2475	1488	1059	26.0	16.4	2114	2156	2194	2228	BIWW.HHH 240 16 /ACO	
		2	7168	4060	2565	1543	1098	30.0	17.7						
		3	10512	5953	3761	2262	1610	48.1	29.7						
HHH 280	11	1	5977	3385	2138	1286	956	26.0	16.2	1879	1920	1962	2009	BIWW.HHH 280 11 /ACO	
		2	6599	3737	2361	1420	1056	30.0	18.6						
		3	8790	4978	3145	1892	1406	47.8	31.4						
	16	1	8166	4625	2922	1757	1250	26.0	19.3	2339	2387	2430	2470	BIWW.HHH 280 16 /ACO	
		2	8348	4728	2987	1797	1278	30.0	20.4						
		3	12406	7026	4439	2670	1900	48.9	34.5						

OUTPUT EXPLANATION

HEATING CAPACITY
Due to the perfect combination of the DBH system and the extremely powerful Low-H₂O coil, the heater's height no longer influences the heat capacity. Thanks to the DBH system, maximum output is available for even the smallest heaters!

COOLING CAPACITY
The cooling capacity remains constant for all types with a maximum height of 50 cm. If the height exceeds 50 cm, the cooling capacity for types 11, 16 and 21 is reduced by approximately 5% for each additional 10 cm of height.

Cooling capacity correction factors for types 11, 16 and 21

Height	Correction factor
30-50	1.00
60	0.90

Output measured in accordance with EN 16430

Fill out the code for height
030 - 040 - 050 - 060

i Tip: For all other dimensions, see www.jaga.com

jaga
CLIMATE
DESIGNERS

Jaga International
Verbindingslaan 16
B-3590 Diepenbeek

Tel.: +32 (0)11 29 41 12
Fax: +32 (0)11 29 41 60
export@jaga.com

The information in this price list is correct at the time of printing.
Jaga reserves the right to change product specification at any time in line
with our policy of continuous improvement and innovation.
All prices in Euro, exclude VAT. Prices valid from January 1, 2024.
Replaces all existing price lists.