

**Important info:** The unit must be installed by a certified installer in accordance with the installation instructions and the local building codes. Please follow this instruction manual and file it somewhere safe! The unit must always be accessible for maintenance and inspection.. Jaga n.v. cannot be held liable for damage due to non-compliance with this manual.

**PRODUCT DESCRIPTION**

- 2-pipe and 4-pipe connection:
  - 4-pipe connection: Heating / Cooling / Auto-change-over
  - 2-pipe connection: Heating / Cooling
- automatic or manual fan speed control
- mounting on mounting box with screws
- programmable time zones (5+1+1): Monday - Friday (1-5), Saturday (6), Sunday (7)
- 0-10V exit
- valve control with 24V AC / DC thermoelectric motor
- possibility to run the fan once the "set point" has been reached (manual operation)

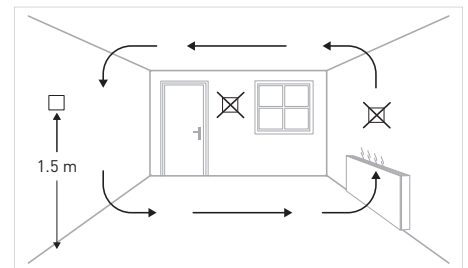
JRT-100 / 8751.050012



**TECHNICAL DATA**

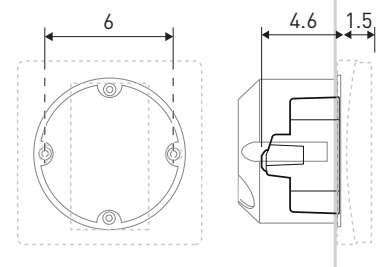
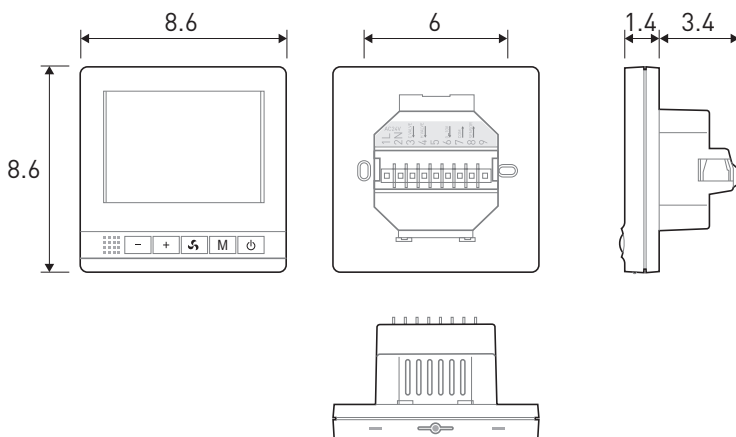
POWER SUPPLY	24V AC/DC
POWER CONSUMPTION	200 mA
SETTING RANGE	+10 ... +40°C
AMBIENT TEMPERATURE	0 ... +40°C
RELATIVE HUMIDITY	85% max
BACK-LIGHT	Blue
SENSOR	NTC 10K, 3950 ohm at 25 °C
ACCURACY	+ 1°C (+0.5°C)
SAFETY CLASS	IP30
HOUSING	ABS with UL94-5 flame retardant plastic

**DEVICE INSTALLATION GUIDELINES**



Install the room thermostat at approximately 1.5 m above the floor against an interior wall and opposite the heating source if possible. Avoid the outer walls, draft coming from the windows and doors, direct sunlight and other heat sources such as TVs, wall or table lamps, fire places, heating pipes, etc. Ensure that the locking mechanism on the bottom of the thermostat is easily accessible.

**DIMENSIONS**



Mount the JRT.100 Room thermostat in a flush mounting box with screw holes at a 60 cm distance from the center. Minimum depth 45mm, (the depth depends on the wiring). The internal dimensions of the box should be at least Ø60mm or 50x50mm.

**CE MARK**

- The CE mark indicates that this device meets the basic requirements of the directive on:
- EN 61000-6-3:2007+A1:2011
  - EN 61000-3-2:2006+A1:2009+A2:2009
  - EN 61000-3-3:2008
  - EN 61000-6-1:2007

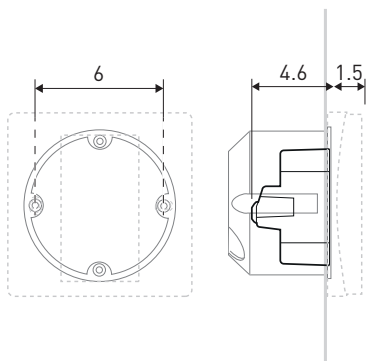
**MANUAL**

[www.jaga.com/downloads/Briza/Manual\\_JRT100.pdf](http://www.jaga.com/downloads/Briza/Manual_JRT100.pdf)

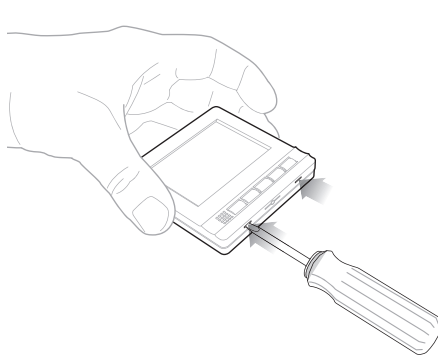


## INSTALLATION

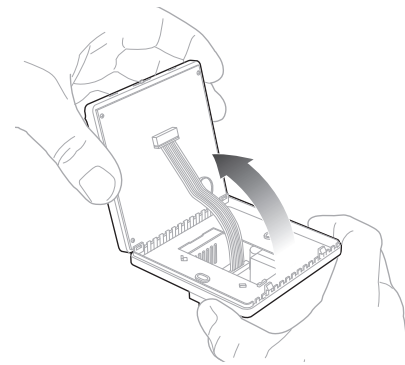
**Important info:** Make sure the electrical supply system complies with current National safety regulations.



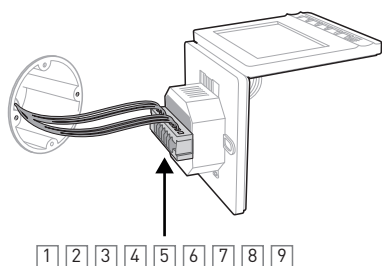
Mount a flush mounting box with screw holes at a 60 mm distance from the center.



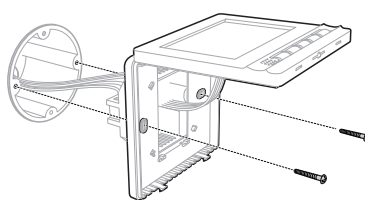
Carefully remove the front panel



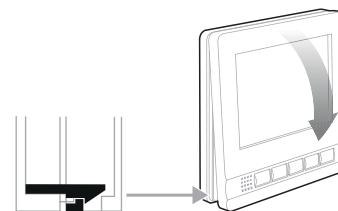
Carefully turn the front panel away from the rear panel.



Connect the device electrically.



Attach the thermostat to the flush-mounted box with two screws. Do not over tighten.

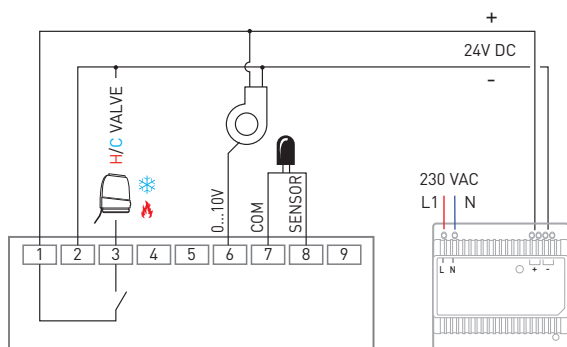


Put the front panel back in place

## CONNECTION DIAGRAM

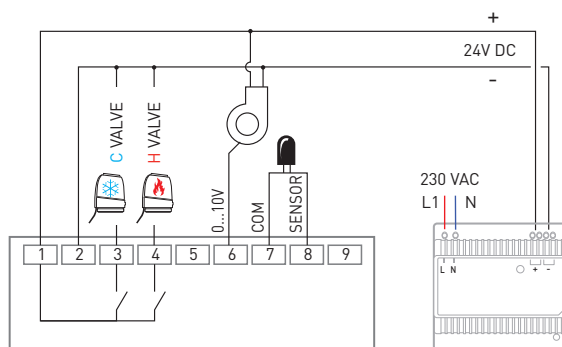
Always use the main disconnect switch to isolate the unit from the mains before carrying out any maintenance or inspection work.

### 2-PIPE CONNECTION



H/C Heating / Cooling

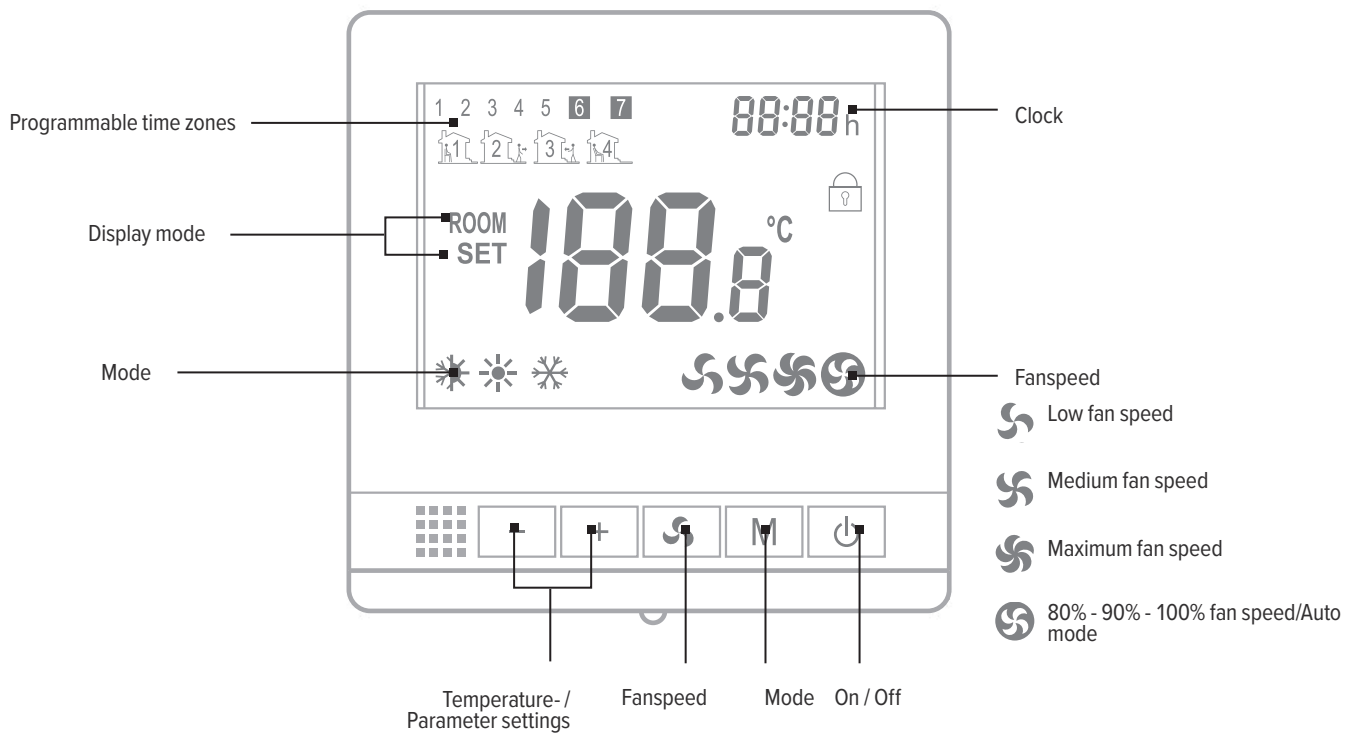
### 4-PIPE CONNECTION



H Heating

C Cooling

## CONTROL PANEL




## PROGRAMMABLE TIME ZONES

- press the “M” button for 5 seconds to enter the “clock setting” and the “day setting. (88:88)
- enter 5 + 1 + 1 programmable mode
- push “+” and “-” to set “on / off time”
- scroll through the menu with the “M” button.
- activate the set time: press the “⌚” button for 5 seconds.
- to deactivate the programmed time: press the “⌚” button for 5 seconds.

Week	Time zone 1		Time zone 2	
	Switch on	Switch off	Switch on	Switch off
Icons				
1...5 Monday ~ Friday	8:30	12:00	14:00	18:00
6 Saturday	9:00	12:00	15:00	18:00
7 Sunday	9:00	12:00	15:00	18:00

## PARAMETER SETTINGS

–switch the thermostat off with the “” button

–to go to the menu, press the “M” and “+” buttons simultaneously for 10 sec. until “” appears. Adjust the settings with the “+” or “-“ buttons.

–scroll through the menu with the “M” button.

MENU	DESCRIPTION	ADJUSTABLE
01	Temp. Offset	-8°C ... +8°C (+0,5°C)
04	Maximum temperature	+10 °C ... +40°C (+0,5°C)
05	Minimum temperature	+10 °C ... +40°C (+0,5°C)
06	Display mode	Room / Set / Room set
07	Frost protection	+5 °C ... +20°C (+0,5°C)
11	Dead Band	0°C ... +3°C (+0,5°C)
12	Display mode	Room / floor / Room vloer
13	2-pipes/4-pipes select	'2': 2-pipe connection / '4': 4-pipe connection
14	(0-10V) select dead band or not	'0':With dead band / '1': Without dead band
15	Reboot memory	'OF': do not save / 'LA': save
16	Mode	Heating / Cooling / Heating + Cooling / Auto select (4-pipe only)
17	Fanspeed	80% - 90% - 100% / Auto mode
18	Maximum fan speed	80% ... 100%
19	Medium fan speed	45% ... 75%
20	Low fan speed	20% ... 40%
21	Factory reset	rE After selecting “rE”, press the “  ” button to go to the startup window. Recovery was successful.
10dA	Software version	10dA - Version 21