

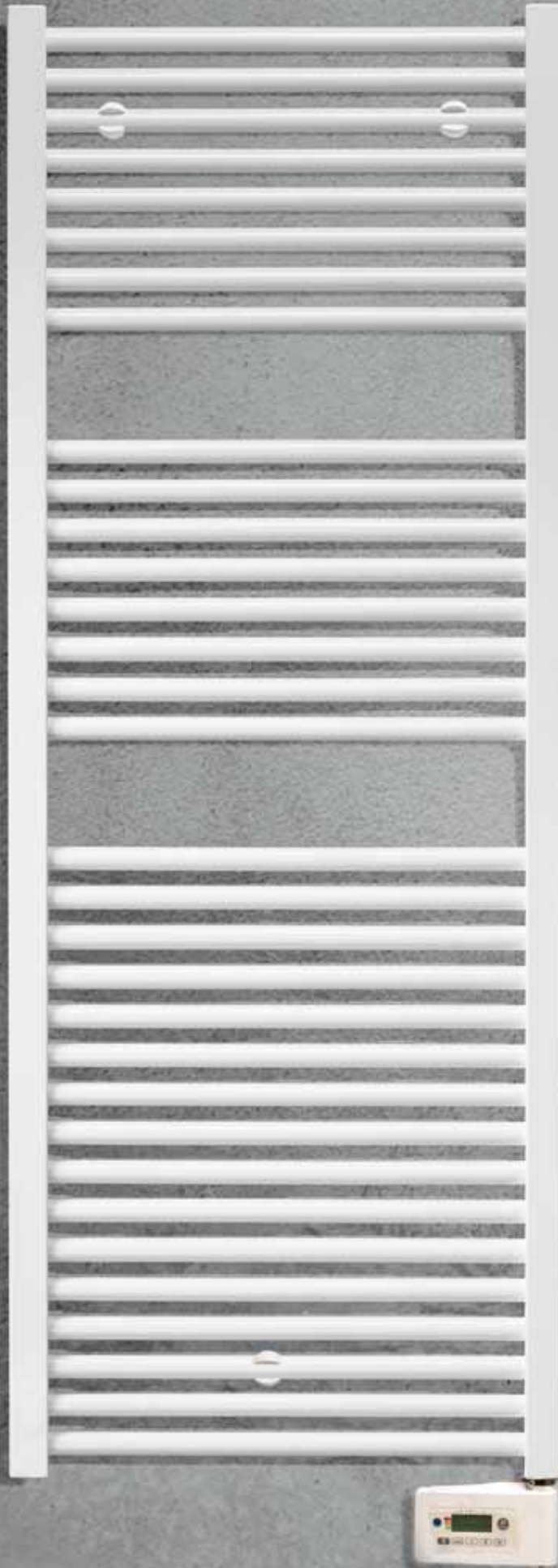
jaga

CLIMATE DESIGNERS

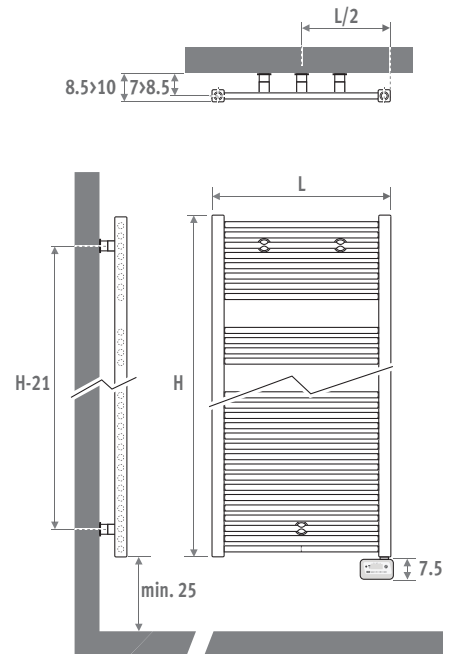
Heating 

SANI ELECTRIC kr. 2024.DK





DIMENSIONS (in cm)



DELIVERY

- White plastic mounting set for easy wall mounting
- Round, horizontal radiant tubes \varnothing 22 mm
- Vertical steel, square heating collectors 35 mm x 35 mm
- Integrated electrical resistor with mountable controller
- White cable 1.2 m with molded plug
- Pre-filled with heating fluid

COLOURS

Environmentally friendly, scratch-resistant, high UV resistant powder coating.

Standard colours:

- traffic white RAL 9016 (233), smooth glossy finish

SPECIFICATIONS

- Maximum operating temperature: 110°C
- Voltage: 230V at 50Hz
- Electrical safety class IP 44 splash-proof, suitable for zone A
- isolation class II
- Temperature preset at 19°C, adjustable from +7°C to +30°C

SANI ELECTRIC

EASY TO SET

The smart Sani Electric has a user-friendly menu with preset programming profiles for each day of the week. These can easily be adjusted to your needs on the sloping interface with the large keys.

- 5 operating modes: Auto (Program), Boost, Comfort, Eco (economy mode), Frost protection, Standby
- 5 programming profiles
- Manual and temporary cancellation of a program
- Sound-indications when operating
- Keyboard lock for children

Infrared remote control available as an option.

ENERGY EFFICIENT OPERATION

The digital Ecodesign control ensures a stable and accurate temperature and is equipped with all possible energy-saving options.

- Electronic temperature measurement and control
- Open window detection
- Frost protection
- Indication of the current energy consumption by using energy labels A/B/C
- Display of the amount of energy used in kWh/ 24h or since the last reset.
- Automatic switch-off of the boost function, programmable for up to 90 minutes.



ECOdesign 2018
compliant

| code | height | length | colour |
|------|--------|--------|--------|
| SEDW | . 093 | 040 . | 233 |

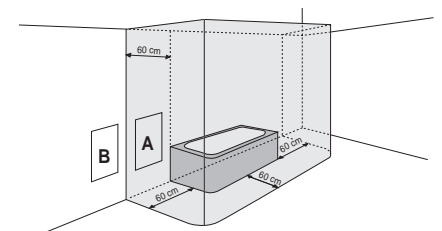
| | Watt | Kr. |
|----------------|------|------|
| L H 093 | | |
| 040 | 300 | 5873 |
| 050 | 500 | 5993 |
| L H 122 | | |
| 040 | 500 | 6548 |
| 050 | 750 | 6698 |
| L H 137 | | |
| 040 | 500 | 6960 |
| 050 | 750 | 7133 |
| 060 | 1000 | 7433 |
| L H 175 | | |
| 040 | 750 | 8115 |
| 050 | 1000 | 8333 |
| 060 | 1000 | 8678 |
| L H 205 | | |
| 060 | 1250 | 9960 |

OPTION REMOTE CONTROL



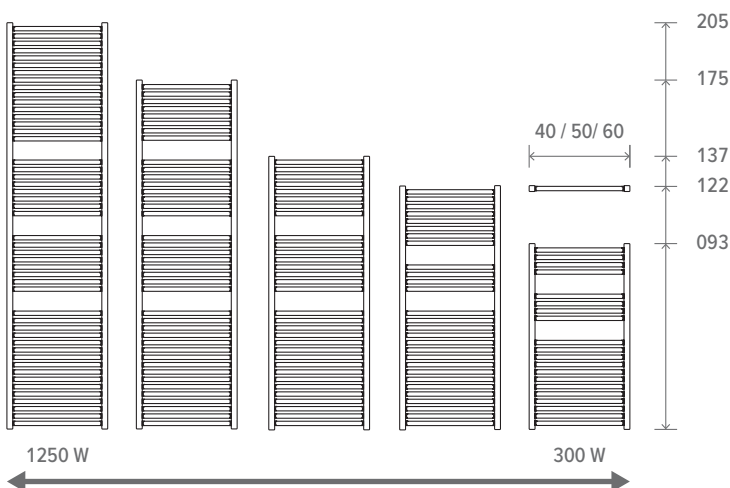
| CODE | Kr. |
|-------------|-----|
| 9096.020101 | 398 |

LOCATION OF THE ELECTRIC HEATING UNIT IN THE BATHROOM



An electrical radiator with insulation class II may be placed in zone A. In bathrooms and kitchens the socket outlet (never a plug contact) has to be placed at a minimum height of 25cm above the floor. The radiator may never be installed lower than the adapter socket outlet. A fused spare has to be used outside the room.

In zone B, an electric radiator of insulation class II may be connected to the electricity grid via a plug contact that is placed in zone B. The appliance must be mounted and connected by an acknowledge installer in accordance with the installation instructions and national and currently applicable local regulations.



MILTON
MEGATHERM

MILTON MEGATHERM A/S

Formervangen 14-16
DK - 2600 Glostrup

Tel: +45 4697 0000
Fax: +45 4697 0001

info@miltonmegatherm.dk
www.miltonmegatherm.dk

jaga
CLIMATE
DESIGNERS

Jaga International
Verbindingslaan 16
B-3590 Diepenbeek

Tel.: +32 (0)11 29 41 12
Fax: +32 (0)11 29 41 60
export@jaga.com

The information in this price list is correct at the time of printing.
Jaga reserves the right to change product specification at any time in line
with our policy of continuous improvement and innovation.
All prices in DKK, exclude VAT. Prices valid from January 1, 2024.
Replaces all existing price lists.