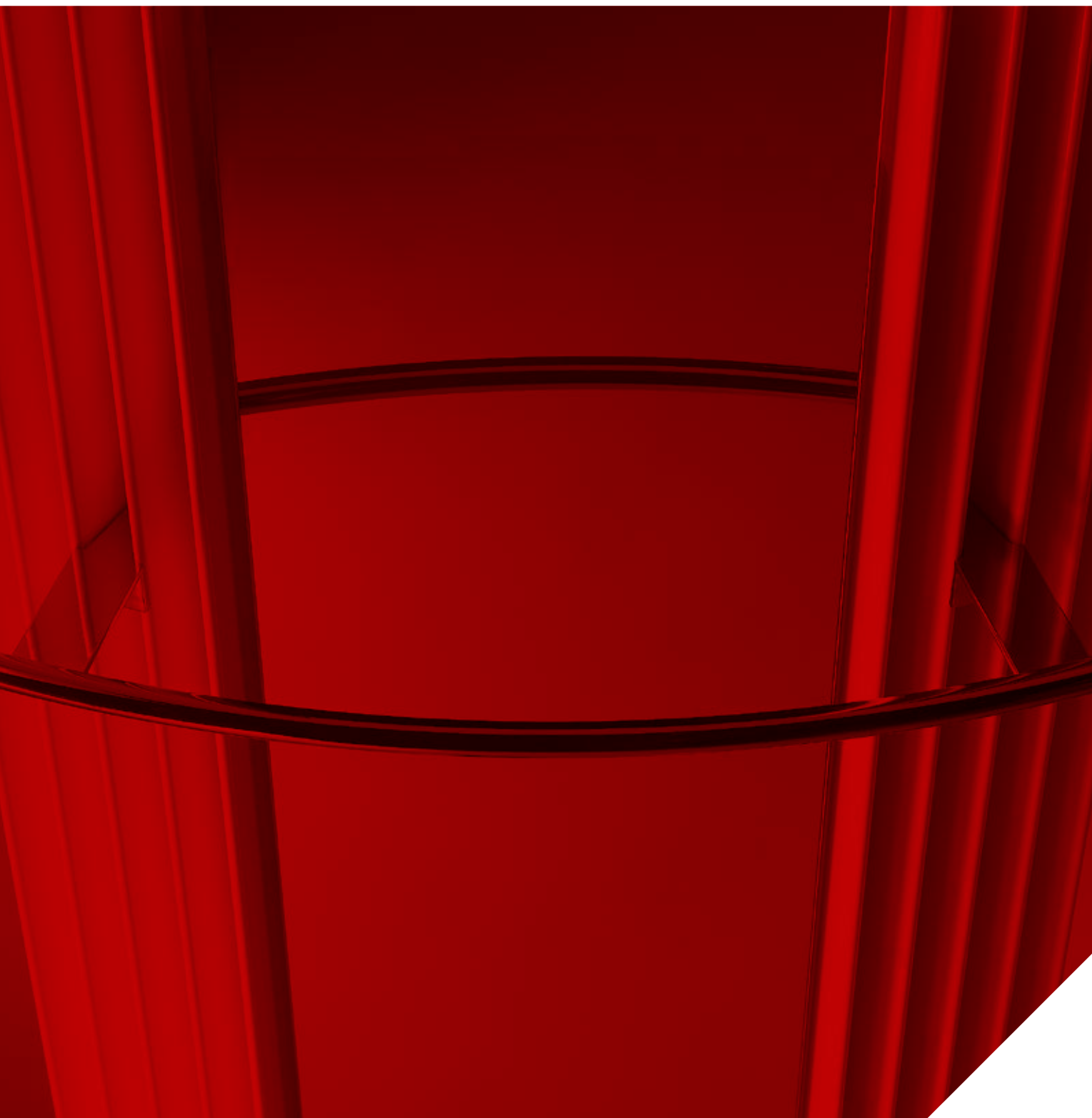


# jaga

CLIMATE DESIGNERS

Heating 

IGUANA ARCO & VISIO kr. 2024.DK



# jaga

CLIMATE DESIGNERS

## IGUANA ARCO & VISIO

Warmth with a symbolic value. Inspired by a child's drawing, an interpretation of the brightly shining sun, transformed into a fully functional work of art.

With the Iguana Arco and Visio the slim triangular radiant pipes are built with a slight curve, giving the Iguana a new look from any angle.

The Iguana Visio's many functions have been expanded by the addition of a mirror. Perfect for halls or bedrooms.

Also available as "Plus" version for low flow temperatures.



Top 10  
Design  
Award  
Winner  
2000

ISH1999  
DESIGN PLUS  
DAILY HEATING NEWS

IGUANA VISIO aluminium 006, optional towel rail





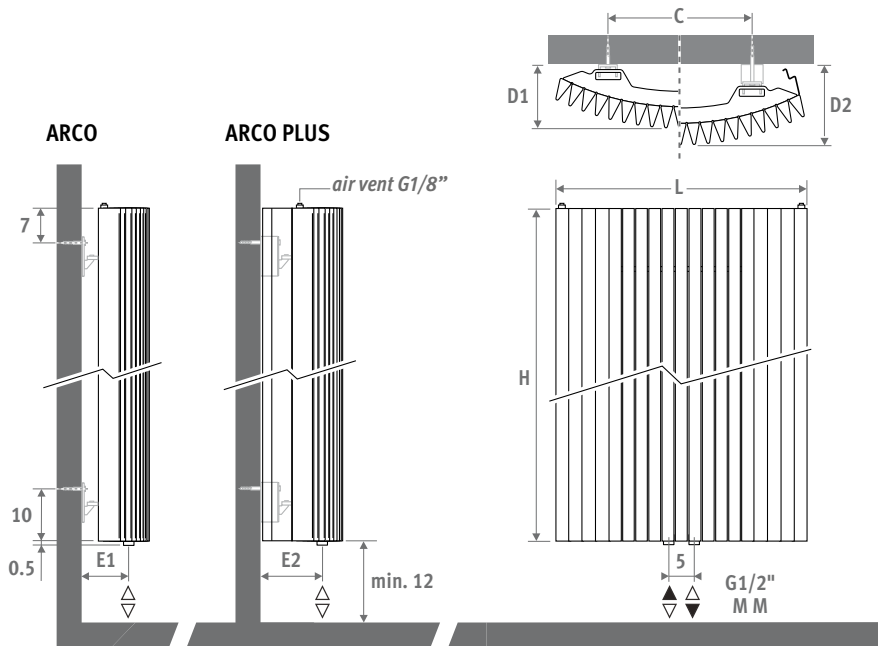
IGUANA ARCO & VISIO 

# IGUANA ARCO

DIMENSIONS (in cm)



## ARCO ARCO PLUS



L	C	D1	D2	E1	E2
29.8	10	10.1	14.1	4.1	8.1
41.0	20	11.1	16.1	5.1	10.1
51.9	30	12.7	17.7	6.7	11.7
62.5	40	12.2	17.2	6.2	11.2
73.3	50	13.7	18.7	7.7	12.7
83.9	60	15.7	20.7	9.7	14.7

### DELIVERY

- central connection MM underneath
- wall fixing
- 2 chrome-plated air vents G1/8"
- Iguana Plus is supplied with two side panels

### COLOURS

Environmentally friendly, scratch-resistant, high UV resistant powder coating.

Standard colours:

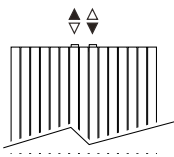
- traffic white RAL 9016 (333), smooth satin matt
- sandblast grey (001), fine texture metallic
- off-black RAL 7021 (145) Soft touch: finely-textured matte look, gloss degree < 10%

Other colours: see colour chart.

### CONNECTION

Top connection: specify code 45 or 54 instead of MM (1° number is flow).

No insert pipe should be ordered. Provide an air vent on the central heating pipework.



One pipe connection: connection sets 41, 42, 48 or 49. Max. 2 radiators per heating ring.

### CONNECTION SETS

To guarantee the output of the Iguana models and to limit the pressure drop, Jaga recommends the use of 15/1 minimum diameter pipes.

#### Connection set to the wall with a Deco-Pro valve

TRV head and sleeve couplings included.



set 48

**BRUSHED STAINLESS STEEL** Kr.



CODE.PW3.PS.1... 2333

set 41

**CHROME** Kr.



CODE.PW3.AW.1... 983



CODE.PW3.AC.1... 1110

fill in sleeve coupling code

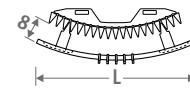
Precision metal tube 15/1	115
Precision metal tube 16/1	116
Precision metal tube 18/1	118
RPE/ALU tube 16/2	316
RPE/ALU tube 18/2	318

### Other connections

See chapter "Connection sets and valves Eyecatchers" for all connection options and technical information

### OPTIONS

#### Towel rail in chrome-plated aluminium



Hat rack consists of a towel rail and 5 coat hooks

CODE	L	L radiator	Kr.
<b>Towel rail</b>			
9087.023550	55	41-51	2243
9087.023656	66	62-73-83	2243
<b>Hat rack</b>			
9087.024550	55	41-51	2565
9087.024656	66	62-73-83	2565

### IGUANA WITH TOWEL RACK:

combines functionality with a high heat efficiency.

## ARCO

code	height	length	colour	conn.
<b>ARCW .</b>	<b>180</b>	<b>029 .</b>	<b>XXX</b>	<b>/MM</b>
fill in colour code _____				

	Watts 75/65	Watts 55/45	Kr. st. colour	Kr. other
<b>L H 180</b>				
<b>029</b>	791	394	5205	6248
<b>041</b>	1079	538	6795	8145
<b>051</b>	1366	681	8393	10080
<b>062</b>	1654	824	9998	11985
<b>073</b>	1941	967	11588	13905
<b>083</b>	2229	1111	13170	15803

	Watts 75/65	Watts 55/45	Kr. st. colour	Kr. other
<b>L H 192</b>				
<b>029</b>	813	406	5400	6473
<b>041</b>	1109	554	7073	8483
<b>051</b>	1404	701	8723	10455
<b>062</b>	1700	849	10380	12450
<b>073</b>	1995	996	12053	14460
<b>083</b>	2291	1144	13703	16455

	Watts 75/65	Watts 55/45	Kr. st. colour	Kr. other
<b>L H 200</b>				
<b>029</b>	826	413	5535	6623
<b>041</b>	1127	564	7245	8693
<b>051</b>	1427	714	8955	10733
<b>062</b>	1727	864	10650	12780
<b>073</b>	2028	1014	12360	14820
<b>083</b>	2328	1164	14063	16883

	Watts 75/65	Watts 55/45	Kr. st. colour	Kr. other
<b>L H 220</b>				
<b>029</b>	858	431	5850	7013
<b>041</b>	1170	587	7673	9210
<b>051</b>	1482	744	9488	11393
<b>062</b>	1794	900	11333	13583
<b>073</b>	2106	1057	13155	15773
<b>083</b>	2418	1213	14970	17970

	Watts 75/65	Watts 55/45	Kr. st. colour	Kr. other
<b>L H 240</b>				
<b>029</b>	886	446	6158	7410
<b>041</b>	1208	608	8093	9728
<b>051</b>	1530	770	10043	12060
<b>062</b>	1852	932	11985	14378
<b>073</b>	2174	1094	13935	16718
<b>083</b>	2496	1256	15863	19043

## IGUANA ARCO

### ARCO PLUS

code	height	length	colour	conn.
<b>ARPW .</b>	<b>180</b>	<b>029 .</b>	<b>XXX</b>	<b>/MM</b>
fill in colour code _____				

	Watts 75/65	Watts 55/45	Kr. st. colour	Kr. other
<b>L H 180</b>				
<b>029</b>	999	492	6773	8123
<b>041</b>	1362	670	8835	10613
<b>051</b>	1725	849	10920	13095
<b>062</b>	2088	1027	12998	15585
<b>073</b>	2452	1207	15060	18060
<b>083</b>	2815	1385	17123	20543

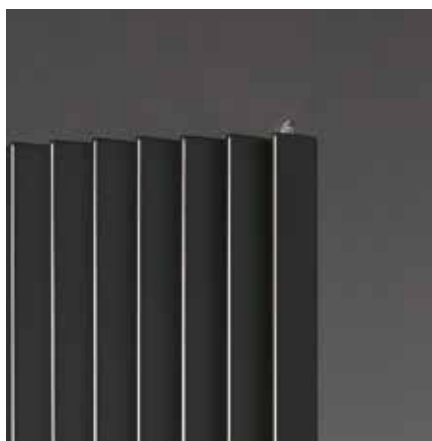
	Watts 75/65	Watts 55/45	Kr. st. colour	Kr. other
<b>L H 192</b>				
<b>029</b>	1046	516	7043	8430
<b>041</b>	1427	704	9195	11025
<b>051</b>	1807	892	11340	13598
<b>062</b>	2187	1080	13500	16208
<b>073</b>	2568	1268	15660	18795
<b>083</b>	2948	1455	17820	21390

	Watts 75/65	Watts 55/45	Kr. st. colour	Kr. other
<b>L H 200</b>				
<b>029</b>	1076	532	7185	8633
<b>041</b>	1467	726	9413	11295
<b>051</b>	1858	919	11633	13958
<b>062</b>	2249	1112	13845	16613
<b>073</b>	2641	1306	16058	19283
<b>083</b>	3032	1500	18285	21960

	Watts 75/65	Watts 55/45	Kr. st. colour	Kr. other
<b>L H 220</b>				
<b>029</b>	1146	569	7605	9113
<b>041</b>	1563	777	9968	11963
<b>051</b>	1980	984	12330	14805
<b>062</b>	2397	1191	14723	17663
<b>073</b>	2813	1398	17085	20505
<b>083</b>	3230	1605	19455	23355

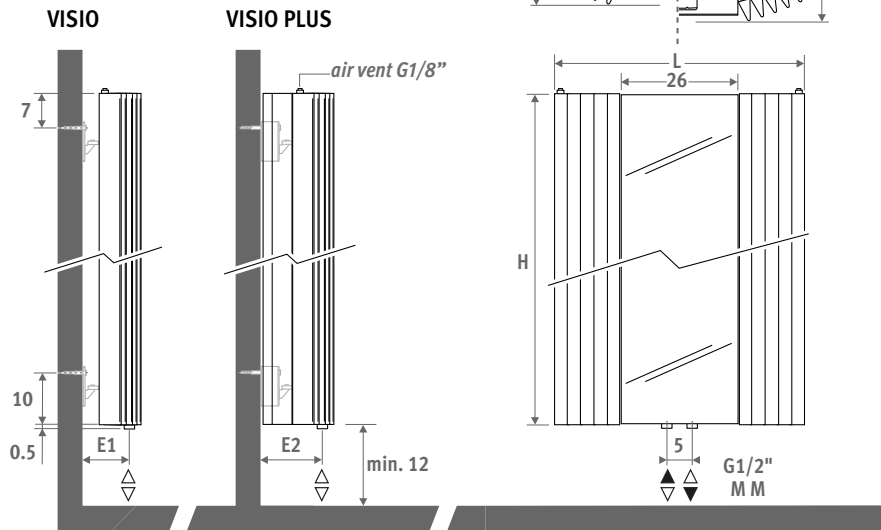
	Watts 75/65	Watts 55/45	Kr. st. colour	Kr. other
<b>L H 240</b>				
<b>029</b>	1210	604	8018	9615
<b>041</b>	1650	824	10545	12645
<b>051</b>	2090	1043	13058	15675
<b>062</b>	2530	1263	15585	18698
<b>073</b>	2970	1483	18105	21735
<b>083</b>	3410	1702	20633	24743

EN442 output at 20°C room temperature



# IGUANA VISIO

DIMENSIONS (in cm)



L	C	D1	D2	E1	E2
51.9	30	10.5	15.5	6.7	11.7
62.5	40	11.0	16.0	6.2	11.2
73.3	50	12.5	17.5	7.7	12.7

## DELIVERY

- central connection MM underneath
- wall fixing
- 2 chrome-plated air vents G1/8"
- Iguana Plus is supplied with two side panels

## COLOURS

Environmentally friendly, scratch-resistant, high UV resistant powder coating.

Standard colours:

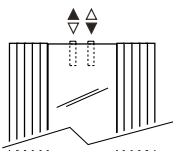
- traffic white RAL 9016 (333), smooth satin matt
- sandblast grey (001), fine texture metallic
- off-black RAL 7021 (145) Soft touch: finely-textured matte look, gloss degree < 10%

Other colours: see colour chart.

## CONNECTION

Top connection: specify code 45 or 54 instead of MM (1° number is flow).

No insert pipe should be ordered. Provide an air vent on the central heating pipework.



One pipe connection: connection sets 41, 42, 48 or 49. Max. 2 radiators per heating ring.

## CONNECTION SETS

To guarantee the output of the Iguana models and to limit the pressure drop, Jaga recommends the use of 15/1 minimum diameter pipes.

### Connection set to the wall with a Deco-Pro valve

TRV head and sleeve couplings included.



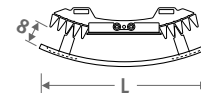
<b>set 48</b>	<b>BRUSHED STAINLESS STEEL</b>	<b>Kr.</b>
	CODE.PW3.PS.1...	<b>2333</b>
<b>set 41</b>	<b>CHROME</b>	<b>Kr.</b>
	CODE.PW3.AW.1...	<b>983</b>
	CODE.PW3.AC.1...	<b>1110</b>
<i>fill in sleeve coupling code</i>		
	Precision metal tube 15/1	<b>115</b>
	Precision metal tube 16/1	<b>116</b>
	Precision metal tube 18/1	<b>118</b>
	RPE/ALU tube 16/2	<b>316</b>
	RPE/ALU tube 18/2	<b>318</b>

## Other connections

See chapter "Connection sets and valves Eyecatchers" for all connection options and technical information

## OPTIONS

### Towel rail in chrome-plated aluminium



Hat rack consists of a towel rail and 5 coat hooks

CODE	L	L radiator	Kr.
<b>Towel rail</b>			
9087.023550	55	51	<b>2243</b>
9087.023656	66	62-73	<b>2243</b>



### IGUANA WITH TOWEL RACK:

combines functionality with a high heat efficiency.



40% more warmth

### VISIO

code	height	length	colour	conn.
<b>VISW .</b>	<b>180</b>	<b>051 .</b>	<b>XXX</b>	<b>/MM</b>
fill in colour code _____				

	Watts 75/65	Watts 55/45	Kr. st. colour	Kr. other
<b>L H 180</b>				
<b>051</b>	719	357	<b>7223</b>	<b>8663</b>
<b>062</b>	1007	502	<b>8603</b>	<b>10335</b>
<b>073</b>	1294	645	<b>9878</b>	<b>11850</b>
<b>L H 200</b>				
<b>051</b>	751	376	<b>7658</b>	<b>9158</b>
<b>062</b>	1051	526	<b>9143</b>	<b>10995</b>
<b>073</b>	1352	676	<b>10530</b>	<b>12630</b>
<b>L H 220</b>				
<b>051</b>	780	391	<b>8085</b>	<b>9720</b>
<b>062</b>	1092	548	<b>9713</b>	<b>11648</b>
<b>073</b>	1404	705	<b>11160</b>	<b>13395</b>

## IGUANA VISIO

### VISIO PLUS

code	height	length	colour	conn.
<b>VIPW .</b>	<b>180</b>	<b>051 .</b>	<b>XXX</b>	<b>/MM</b>
fill in colour code _____				

	Watts 75/65	Watts 55/45	Kr. st. colour	Kr. other
<b>L H 180</b>				
<b>051</b>	908	447	<b>9383</b>	<b>11250</b>
<b>062</b>	1271	625	<b>11198</b>	<b>13418</b>
<b>073</b>	1634	804	<b>12840</b>	<b>15413</b>
<b>L H 200</b>				
<b>051</b>	978	484	<b>9953</b>	<b>11940</b>
<b>062</b>	1369	677	<b>11903</b>	<b>14288</b>
<b>073</b>	1760	871	<b>13680</b>	<b>16410</b>
<b>L H 220</b>				
<b>051</b>	1042	518	<b>10523</b>	<b>12630</b>
<b>062</b>	1459	725	<b>12615</b>	<b>15135</b>
<b>073</b>	1876	932	<b>14528</b>	<b>17430</b>

EN442 output at 20°C room temperature



**MILTON**  
**MEGATHERM**

MILTON MEGATHERM A/S

Formervangen 14-16  
DK - 2600 Glostrup

Tel: +45 4697 0000  
Fax: +45 4697 0001

info@miltonmegatherm.dk  
www.miltonmegatherm.dk

**jaga**  
**CLIMATE**  
**DESIGNERS**

Jaga International  
Verbindingslaan 16  
B-3590 Diepenbeek

Tel.: +32 (0)11 29 41 12  
Fax: +32 (0)11 29 41 60  
export@jaga.com

The information in this price list is correct at the time of printing.  
Jaga reserves the right to change product specification at any time in line  
with our policy of continuous improvement and innovation.  
All prices in DKK, exclude VAT. Prices valid from January 1, 2024.  
Replaces all existing price lists.